

VULCAN

CATALOG OF REPLACEMENT PARTS

VK & TR SERIES FRYERS

*See Page 2 for Complete List
of ML's Covered in This Catalog*



For additional information on Vulcan-Hart Company or to locate an authorized parts and service provider in your area, visit our website at www.vulcanequipment.com

VK Series Without Filter

| | |
|-----------|--------|
| ML-136885 | 1VK45A |
| ML-136886 | 1VK45D |
| ML-136887 | 1VK45C |
| ML-136888 | 1VK65A |
| ML-136889 | 1VK65D |
| ML-136890 | 1VK65C |
| ML-136891 | 1VK85A |
| ML-136892 | 1VK85D |
| ML-136893 | 1VK85C |

TR Series Without Filter

| | |
|-----------|--------|
| ML-136946 | 1TR45A |
| ML-136951 | 1TR45D |
| ML-136956 | 1TR45C |
| ML-136961 | 1TR65A |
| ML-136965 | 1TR65D |
| ML-136969 | 1TR65C |
| ML-136973 | 1TR85A |
| ML-136977 | 1TR85D |
| ML-136981 | 1TR85C |

VK Series With Filter

| | |
|-----------|---------|
| ML-136894 | 1VK45AF |
| ML-136895 | 1VK45DF |
| ML-136896 | 1VK45CF |
| ML-136897 | 1VK65AF |
| ML-136898 | 1VK65DF |
| ML-136899 | 1VK65CF |
| ML-136900 | 1VK85AF |
| ML-136901 | 1VK85DF |
| ML-136902 | 1VK85CF |
| ML-136903 | 2VK45AF |
| ML-136904 | 2VK45DF |
| ML-136905 | 2VK45CF |
| ML-136906 | 2VK65AF |
| ML-136907 | 2VK65DF |
| ML-136908 | 2VK65CF |
| ML-136909 | 2VK85AF |
| ML-136910 | 2VK85DF |
| ML-136911 | 2VK85CF |
| ML-136912 | 3VK45AF |
| ML-136913 | 3VK45DF |
| ML-136914 | 3VK45CF |
| ML-136915 | 3VK65AF |
| ML-136916 | 3VK65DF |
| ML-136917 | 3VK65CF |
| ML-136918 | 3VK85AF |
| ML-136919 | 3VK85DF |
| ML-136920 | 3VK85CF |
| ML-136921 | 4VK45AF |
| ML-136922 | 4VK45DF |
| ML-136923 | 4VK45CF |
| ML-136935 | 4VK65AF |
| ML-136941 | 4VK65DF |
| ML-136937 | 4VK65CF |
| ML-136938 | 4VK85AF |
| ML-136939 | 4VK85DF |
| ML-136940 | 4VK85CF |

TR Series With Filter

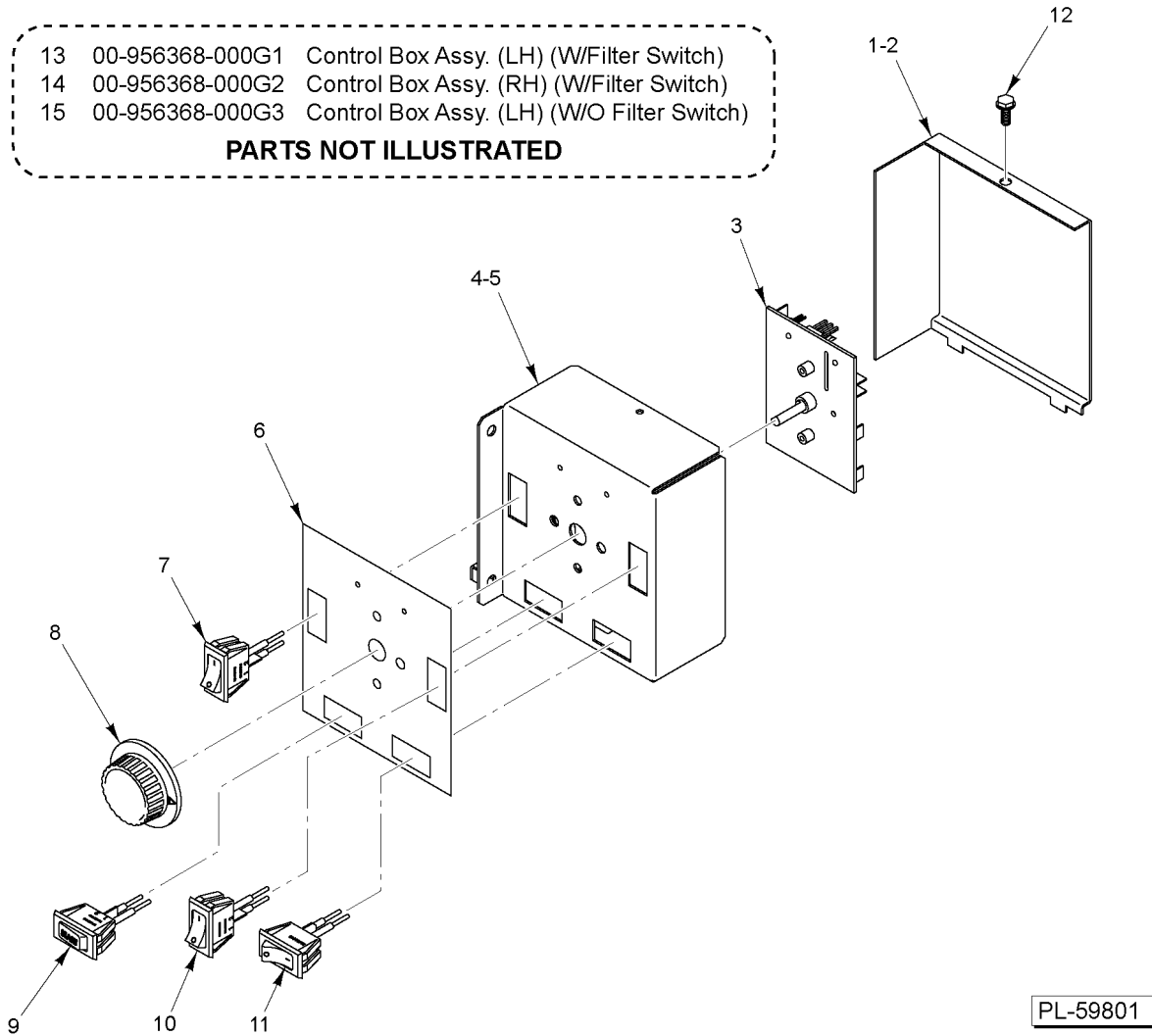
| | |
|-----------|---------|
| ML-136947 | 1TR45AF |
| ML-136952 | 1TR45DF |
| ML-136957 | 1TR45CF |
| ML-136962 | 1TR65AF |
| ML-136966 | 1TR65DF |
| ML-136970 | 1TR65CF |
| ML-136974 | 1TR85AF |
| ML-136978 | 1TR85DF |
| ML-136982 | 1TR85CF |
| ML-136948 | 2TR45AF |
| ML-136953 | 2TR45DF |
| ML-136958 | 2TR45CF |
| ML-136963 | 2TR65AF |
| ML-136967 | 2TR65DF |
| ML-136971 | 2TR65CF |
| ML-136975 | 2TR85AF |
| ML-136979 | 2TR85DF |
| ML-136983 | 2TR85CF |
| ML-136949 | 3TR45AF |
| ML-136954 | 3TR45DF |
| ML-136959 | 3TR45CF |
| ML-136964 | 3TR65AF |
| ML-136968 | 3TR65DF |
| ML-136972 | 3TR65CF |
| ML-136976 | 3TR85AF |
| ML-136980 | 3TR85DF |
| ML-136984 | 3TR85CF |
| ML-136950 | 4TR45AF |
| ML-136955 | 4TR45DF |
| ML-136960 | 4TR45CF |
| ML-136985 | 4TR65AF |
| ML-136986 | 4TR65DF |
| ML-136987 | 4TR65CF |
| ML-136988 | 4TR85AF |
| ML-136989 | 4TR85DF |
| ML-136990 | 4TR85CF |

Table of Contents

| | |
|----|----------------------------------------|
| 5 | BEHIND DOOR CONTROL BOX ASSEMBLY |
| 7 | CONTROL PANELS |
| 9 | POWER SUPPLY BOX (BEFORE 12/1/12) |
| 11 | POWER SUPPLY BOX (STARTING 12/1/12) |
| 13 | TANK AND GAS COMPONENTS |
| 15 | GAS INLET MANIFOLD |
| 17 | BODY UNIT (A/C/D SERIES) (NON- FILTER) |
| 19 | BODY UNIT (A/C/D SERIES) (FILTER) |
| 21 | DRAIN ASSEMBLY (SINGLE UNIT) |
| 23 | DRAIN ASSEMBLY (MULTIPLE UNITS) |
| 25 | OIL RETURN (SINGLE UNIT) |
| 27 | OIL RETURN (MULTIPLE UNITS) |
| 29 | FILTER ASSEMBLY (SINGLE UNIT) |
| 31 | FILTER ASSEMBLY (MULTIPLE UNITS) |
| 33 | BASKETLIFT COMPONENTS |

- 13 00-956368-000G1 Control Box Assy. (LH) (W/Filter Switch)
- 14 00-956368-000G2 Control Box Assy. (RH) (W/Filter Switch)
- 15 00-956368-000G3 Control Box Assy. (LH) (W/O Filter Switch)

PARTS NOT ILLUSTRATED

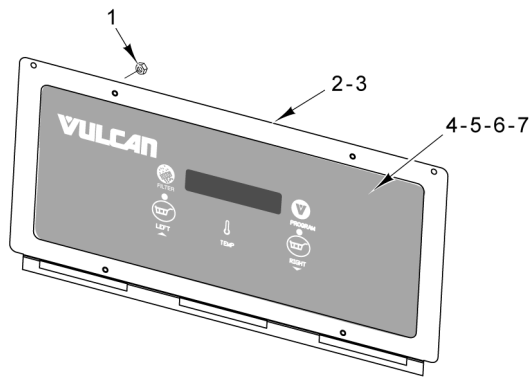


PL-59801

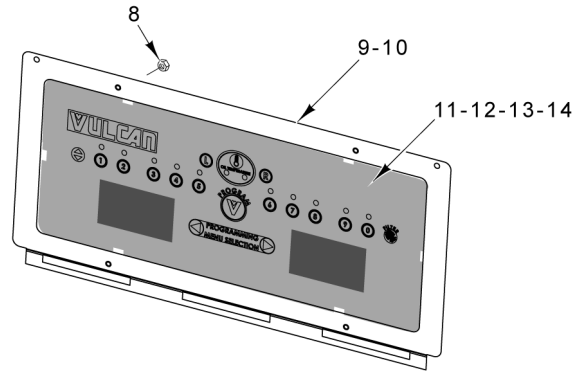
BEHIND DOOR CONTROL BOX ASSEMBLY

BEHIND DOOR CONTROL BOX ASSEMBLY

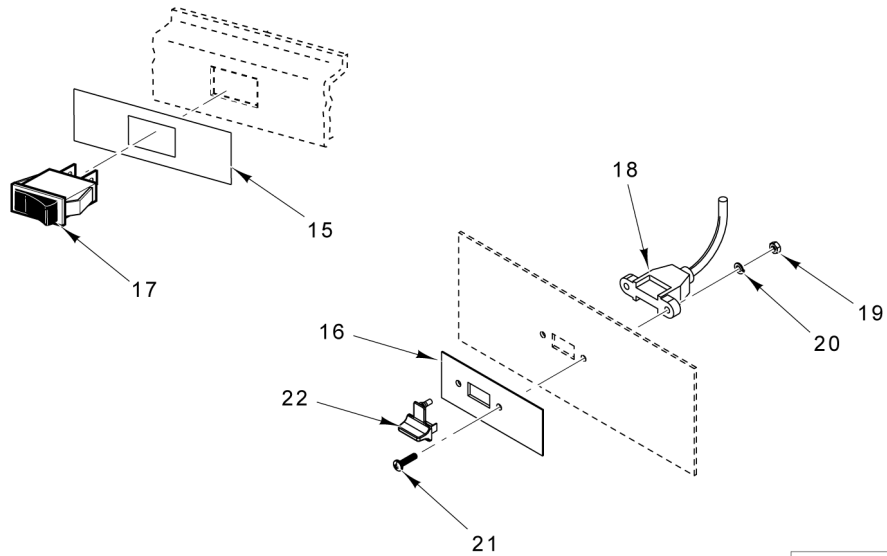
| ILLUS. | PART NO. | NAME OF PART | AMT. |
|----------|-----------------|---------------------------------------------------------------------------------------|------|
| PL-59801 | | | |
| 1 | 00-957822-00004 | Cover - Control Box (LH)..... | 1 |
| 2 | 00-957822-00005 | Cover - Control Box (RH)..... | 1 |
| 3 | 00-956926-000G3 | Control Assy. - Temperature (W/ LED's)..... | 1 |
| 4 | 00-499716-00001 | Plate - Control Mounting (LH)..... | 1 |
| 5 | 00-499716-00002 | Plate - Control Mounting (RH)..... | 1 |
| 6 | 00-956827-00002 | Overlay..... | 1 |
| 7 | 00-427755-000G1 | Rocker Switch Assy. (Power)..... | 1 |
| 8 | 00-411242-00001 | Knob..... | 1 |
| 9 | 00-427755-000G2 | Rocker Switch Assy. (Start)..... | 1 |
| 10 | 00-427755-000G1 | Rocker Switch Assy. (Power)..... | 1 |
| 11 | 00-426251-00002 | Plug (Non-Filter)..... | 1 |
| 12 | SD-032-07 | Self-Tapping Screw 10-24 x 1/2 Hex Washer Hd., Type TT..... | 1 |
| 13 | 00-956368-000G1 | Control Box Assy. (LH) (W/Filter Switch) (Incls. Items 1, 3, 4, 6 thru 10, & 12)..... | 1 |
| 14 | 00-956368-000G2 | Control Box Assy. (RH) (W/Filter Switch) (Incls. Items 2, 3, 5 thru 10, & 12)..... | 1 |
| 15 | 00-956368-000G3 | Control Box Assy. (LH) (W/O Filter Switch) (Incls. Items 1, 3, 4, & 6 thru 12)..... | 1 |



D SERIES



C SERIES

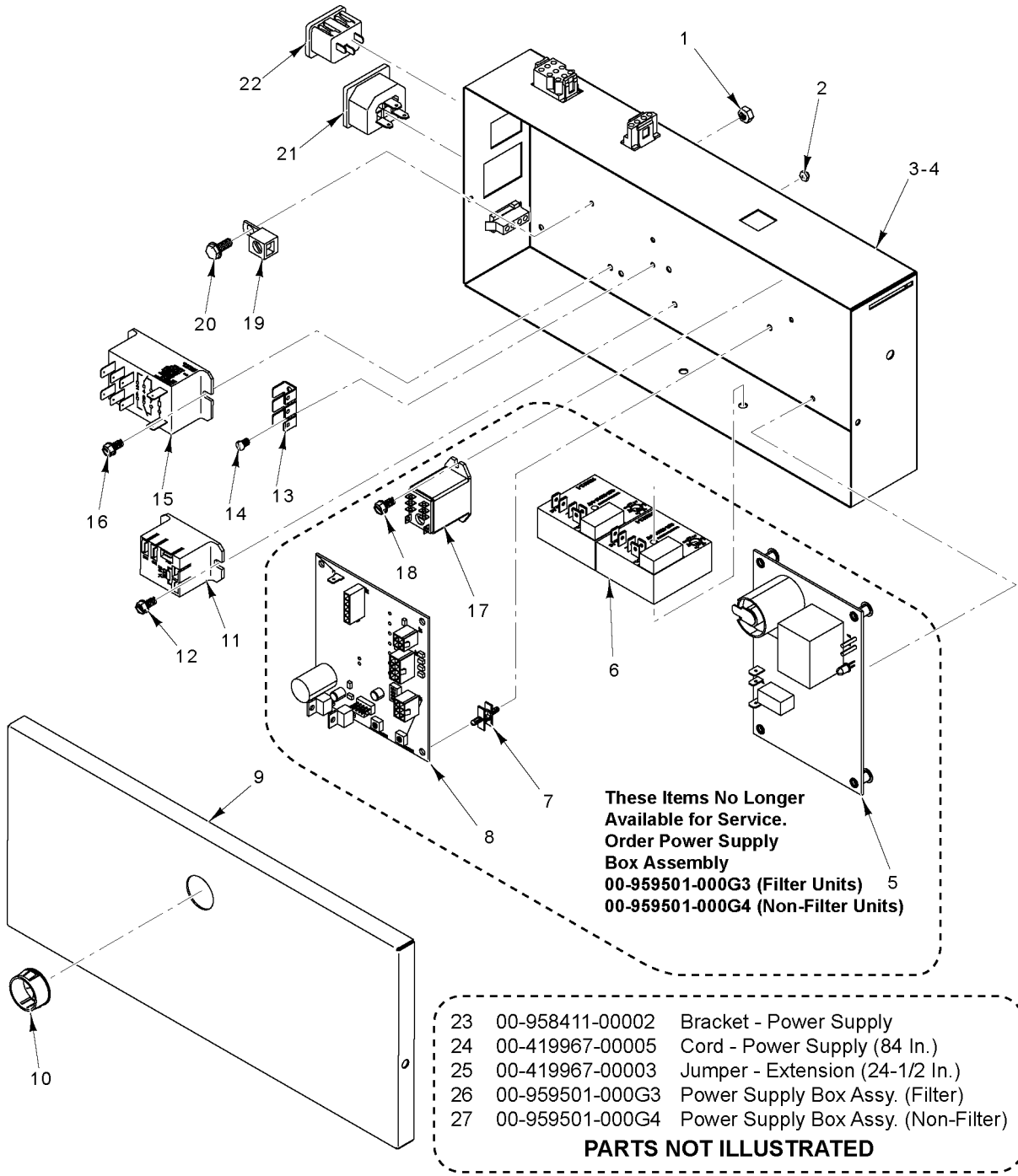


PL-59802

CONTROL PANELS

CONTROL PANELS

| ILLUS. | PART NO. | NAME OF PART | AMT. |
|--------|-----------------|------------------------------------------------------------------|------|
| 1 | NS-046-89 | Nut Assy. 6-32 Hex..... | 4 |
| 2 | 00-426815-000G1 | Plate Assy. - Mounting (45 Series)..... | 1 |
| 3 | 00-426815-000G2 | Plate Assy. - Mounting (65/85 Series)..... | 1 |
| 4 | 00-497745-00001 | Overlay - Vulcan (Filter)..... | 1 |
| 5 | 00-497745-00003 | Overlay - Vulcan (Boil)..... | 1 |
| 6 | 00-913086-00004 | Control Assy. - Solid State (Filter Button) (Incls. Item 4)..... | 1 |
| 7 | 00-913086-00003 | Control Assy. - Solid State (Boil Button) (Incls. Item 5)..... | 1 |
| 8 | NS-046-89 | Nut Assy. 6-32 Hex..... | 4 |
| 9 | 00-426815-000G1 | Plate Assy. - Mounting (45 Series)..... | 1 |
| 10 | 00-426815-000G2 | Plate Assy. - Mounting (65/85 Series)..... | 1 |
| 11 | 00-913086-00002 | Computer Cooking Assy. (Filter Button) (Incls. Item 13)..... | 1 |
| 12 | 00-913086-00001 | Computer Cooking Assy. (Boil Button) (Incls. Item 14)..... | 1 |
| 13 | 00-958620-00001 | Overlay - Vulcan (Filter Button)..... | 1 |
| 14 | 00-958620-00002 | Overlay - Vulcan (Boil Button)..... | 1 |
| 15 | 00-428906-00001 | Overlay - Power..... | 1 |
| 16 | 00-428906-00004 | Overlay (USB Port)..... | 1 |
| 17 | 00-427755-000G1 | Rocker Switch Assy..... | 1 |
| 18 | 00-959000-000G1 | Cable Assy. (USB) (1 Ft.) (Incls. Items 19 thru 22)..... | 1 |
| 19 | | Nut 4-40 Hex..... | 2 |
| 20 | | Lockwasher #4..... | 2 |
| 21 | | Screw 4-40 x 1/2..... | 2 |
| 22 | 00-959000-00002 | Cap (USB)..... | 1 |



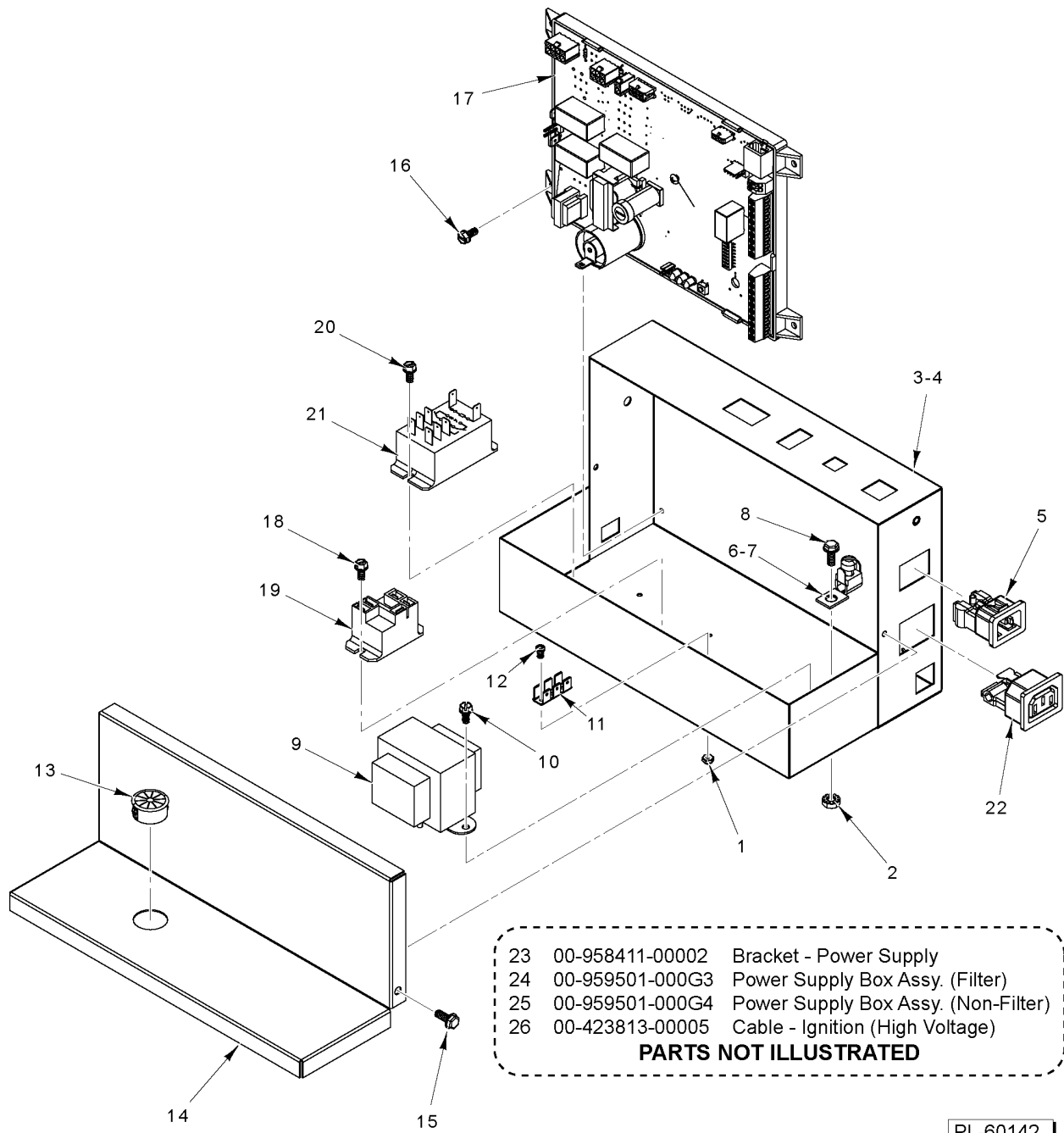
PL-59803

**POWER SUPPLY BOX
(BEFORE 12/1/12)**

**POWER SUPPLY BOX
(BEFORE 12/1/12)**

| ILLUS. | PART NO. | NAME OF PART | AMT. |
|----------|-----------------|-------------------------------------------------------------|------|
| PL-59803 | | | |
| 1 | NS-044-09 | Nut Assy. 10-24 Hex KEPS..... | 1 |
| 2 | NS-047-32 | Lock Nut 4-40..... | 2 |
| 3 | 00-958404-000G1 | Box - Power Supply (Filter)..... | 1 |
| 4 | 00-958404-000G2 | Box - Power Supply (Non-Filter)..... | 1 |
| *5 | | Module - Ignition..... | 1 |
| *6 | | Timer - Delay..... | 2 |
| *7 | | Standoff..... | 4 |
| *8 | | Board - Blower Control..... | 1 |
| 9 | 00-958405-00001 | Lid - Power Supply..... | 1 |
| 10 | FE-024-24 | Bushing - Electrical Snap..... | 1 |
| 11 | 00-497125-00001 | Relay (SPDT, 24 VAC) (Filter - Solenoid Valve)..... | 1 |
| 12 | SD-036-03 | Self-Tapping Screw 8-18 x 3/8 Hex Washer Hd., Type AB..... | 2 |
| 13 | 00-419317 | Terminal - Stationary..... | 1 |
| 14 | SC-060-23 | Mach. Screw 4-40 x 1/4 Slotted Rd. Hd..... | 2 |
| 15 | 00-428864-00001 | Relay (Filter - Pump Motor)..... | 1 |
| 16 | SD-036-03 | Self-Tapping Screw 8-18 x 3/8 Hex Washer Hd., Type AB..... | 2 |
| *17 | | Switch - Relay..... | 1 |
| 18 | SD-036-03 | Self-Tapping Screw 8-18 x 3/8 Hex Washer Hd., Type AB..... | 2 |
| 19 | 00-417856-00001 | Lug - Grounding (With Set Screw)..... | 1 |
| 20 | SD-032-07 | Self-Tapping Screw 10-24 x 1/2 Hex Washer Hd., Type TT..... | 1 |
| 21 | 00-419973-000G2 | Receptacle - Female Power (Filter)..... | 1 |
| 22 | 00-419973-000G1 | Receptacle - Male Power..... | 1 |
| 23 | 00-958411-00002 | Bracket - Power Supply..... | 1 |
| 24 | 00-419967-00005 | Cord - Power Supply (84 In.)..... | 1 |
| 25 | 00-419967-00003 | Jumper - Extension (24-1/2 In.)..... | 1 |
| 26 | 00-959501-000G3 | Power Supply Box Assy. (Filter)..... | 1 |
| 27 | 00-959501-000G4 | Power Supply Box Assy. (Non-Filter)..... | 1 |

* (Item No Longer Available for Service on these Models. Order Item 26 or 27.)



**POWER SUPPLY BOX
(STARTING 12/1/12)**

**POWER SUPPLY BOX
(STARTING 12/1/12)**

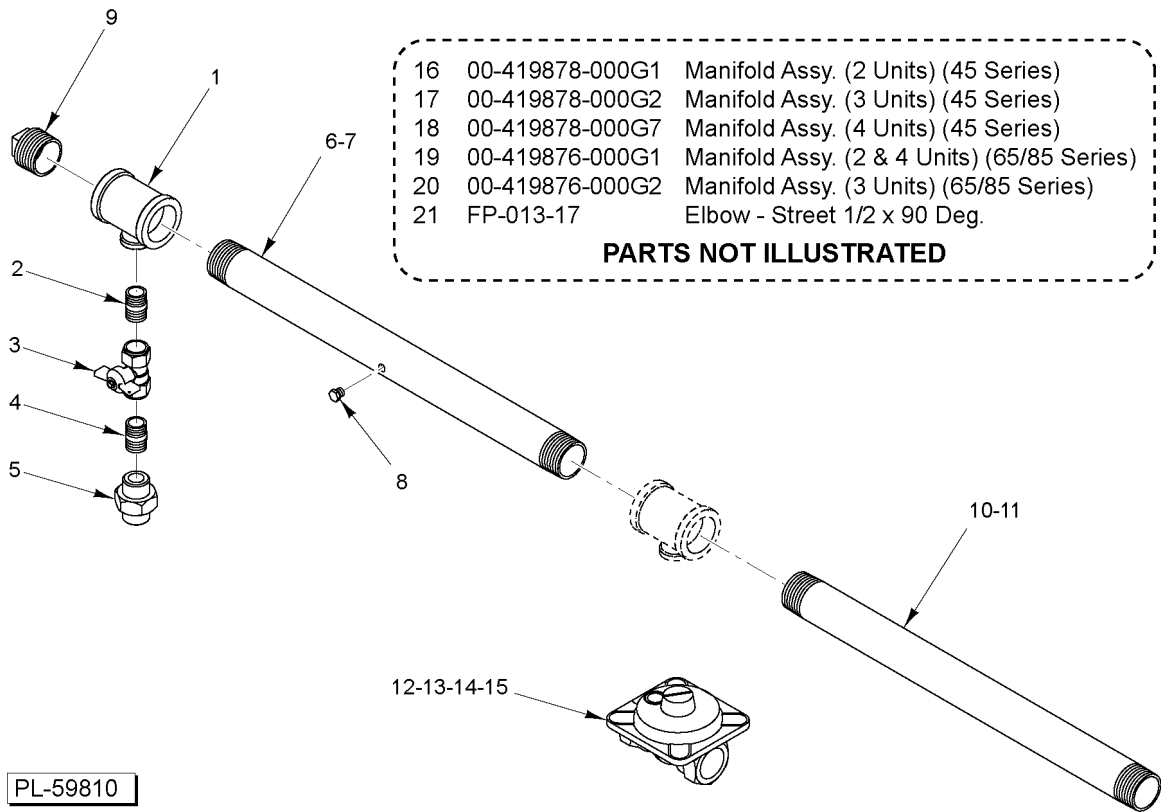
| ILLUS. PL-60142 | PART NO. | NAME OF PART | AMT. |
|--------------------|-----------------|---------------------------------------------------------------------------|------|
| 1 | NS-047-32 | Lock Nut 4-40..... | 2 |
| 2 | NS-044-09 | Nut Assy. 10-24 Hex KEPS..... | 1 |
| 3 | 00-959498-000G3 | Box - Power Supply (Filter)..... | 1 |
| 4 | 00-959498-000G4 | Box - Power Supply (Non-Filter)..... | 1 |
| 5 | 00-419973-000G1 | Receptacle - Male Power..... | 1 |
| 6 | 00-417856-00001 | Lug - Grounding (With Set Screw)..... | 1 |
| 7 | | Set Screw (Included With Item 6)..... | 1 |
| 8 | SD-032-07 | Self-Tapping Screw 10-24 x 1/2 Hex Washer Hd., Type TT..... | 1 |
| 9 | 00-411500-00012 | Transformer (120 VAC, 24 V., 40 VA)..... | 1 |
| 10 | SD-036-03 | Self-Tapping Screw 8-18 x 3/8 Hex Washer Hd., Type AB..... | 2 |
| 11 | 00-419317 | Terminal - Stationary..... | 1 |
| 12 | SC-060-23 | Mach. Screw 4-40 x 1/4 Slotted Rd. Hd..... | 2 |
| 13 | FE-024-24 | Bushing - Electrical Snap..... | 1 |
| 14 | 00-959499-00002 | Lid - Power Supply..... | 1 |
| 15 | SD-032-07 | Self-Tapping Screw 10-24 x 1/2 Hex Washer Hd., Type TT..... | 2 |
| 16 | SD-036-03 | Self-Tapping Screw 8-18 x 3/8 Hex Washer Hd., Type AB..... | 4 |
| 17 | 00-959500-00001 | Gas Ignitor - Board..... | 1 |
| 18 | SD-036-03 | Self-Tapping Screw 8-18 x 3/8 Hex Washer Hd., Type AB..... | 2 |
| 19 | 00-497125-00001 | Relay (SPDT, 24 VAC) (Filter - Solenoid Valve)..... | 1 |
| 20 | SD-036-03 | Self-Tapping Screw 8-18 x 3/8 Hex Washer Hd., Type AB..... | 2 |
| 21 | 00-428864-00001 | Relay (Filter - Pump Motor)..... | 1 |
| 22 | 00-419973-000G2 | Receptacle - Female Power (Filter)..... | 1 |
| 23 | 00-958411-00002 | Bracket - Power Supply..... | 1 |
| 24 | 00-959501-000G3 | Power Supply Box Assy. (Filter) (Incls. Items 1, 2, 3, & 5 thru 22)..... | 1 |
| 25 | 00-959501-000G4 | Power Supply Box Assy. (Non-Filter) (Incls. Items 1, 2, & 4 thru 17)..... | 1 |
| 26 | 00-423813-00005 | Cable - Ignition (High Voltage)..... | 1 |

TANK AND GAS COMPONENTS

| ILLUS. | PART NO. | NAME OF PART | AMT. |
|--------|-----------------|---------------------------------------------------------------------------------|------|
| | PL-59804 | | |
| 1 | 00-427882-000G3 | Tube - Flex (Gas Inlet)..... | 1 |
| 2 | 00-958067-00001 | Bracket - Heat Shield..... | 1 |
| 3 | NS-044-09 | Nut Assy. 10-24 Hex KEPS..... | 8 |
| 4 | 00-958691-00002 | Burner - Ceramic..... | 1 |
| 5 | 00-959046-00001 | Filter - Blower (VK Series Only)..... | 1 |
| 6 | 00-976613-00002 | Gasket - Transport Tube (Lower)..... | 1 |
| 7 | 00-958453-000G1 | Harness - Gas Solenoid (Before 8/10/17, Used with Item 10)..... | 1 |
| 8 | 00-976589 | Harness - Gas Solenoid (Starting 8/10/17, Used with Item 11)..... | 1 |
| 9 | 00-959080-00001 | Bracket - High Limit..... | 1 |
| 10 | 00-958475 | Control - High Limit (Capillary Wire Type) (Before 8/10/17)..... | 1 |
| 11 | 00-976588 | Control - High Limit (No Capillary Wire) (Starting 8/10/17)..... | 1 |
| 12 | SD-032-07 | Self-Tapping Screw 10-24 x 1/2 Hex Washer Hd., Type TT..... | 6 |
| 13 | SD-036-86 | Self-Tapping Screw 10-24 x 3/4 Hex Hd. Type TT..... | 4 |
| 14 | 00-959879-000G2 | Tube - Transport..... | 1 |
| 15 | SC-127-31 | Mach. Screw 1/4-20 x 3/4 Hex Hd. (SST)..... | 2 |
| 16 | 00-976641 | Kit - Ignitor with Gaskets (Incls. Items 6, 14, 18, & 22) (Before 6/22/17)..... | 1 |
| 17 | 00-976568 | Kit - Ignitor (Incls. Electrode & Gasket) (Starting 6/22/17)..... | 1 |
| 18 | 00-959100-00001 | Gasket - Electrode..... | 1 |
| 19 | 00-958505-00002 | Plate - Orifice (45 Series)..... | 1 |
| 20 | 00-958505-00003 | Plate - Orifice (65 Series)..... | 1 |
| 21 | 00-958505-00004 | Plate - Orifice (85 Series)..... | 1 |
| 22 | 00-959100-00002 | Gasket - Transport Tube (Upper)..... | 1 |
| *23 | 00-958689-000G2 | Tank Assy. (TR45 Series)..... | 1 |
| **24 | 00-976558-000G2 | Tank Assy. (TR45 Series)..... | 1 |
| *25 | 00-958704-000G2 | Tank Assy. (TR65 Series)..... | 1 |
| **26 | 00-976562-000G2 | Tank Assy. (TR65 Series)..... | 1 |
| *27 | 00-958700-000G2 | Tank Assy. (TR85 Series)..... | 1 |
| **28 | 00-976564-000G2 | Tank Assy. (TR85 Series)..... | 1 |
| *29 | 00-958689-000G1 | Tank Assy. (VK45 Series)..... | 1 |
| **30 | 00-976558-000G1 | Tank Assy. (VK45 Series)..... | 1 |
| *31 | 00-958704-000G1 | Tank Assy. (VK65 Series)..... | 1 |
| **32 | 00-976562-000G1 | Tank Assy. (VK65 Series)..... | 1 |
| *33 | 00-958700-000G1 | Tank Assy. (VK85 Series)..... | 1 |
| **34 | 00-976564-000G1 | Tank Assy. (VK85 Series)..... | 1 |
| 35 | 00-408279-00022 | Regulator - Pressure (3/4 In.) (NAT) (On Units Before 4/17/16)..... | 1 |
| 36 | 00-408279-00021 | Regulator - Pressure 3/4 In. (LP) (3/4 In.) (LP) (On Units Before 4/17/16)..... | 1 |
| 37 | 00-408279-00012 | Regulator - Pressure (1-1/4 In.) (NAT) (On Units Before 4/17/16)..... | 1 |
| 38 | 00-408279-00013 | Regulator - Pressure (1-1/4 In.) (LP) (On Units Before 4/17/16)..... | 1 |
| 39 | 00-944782-VK45N | Gas Valve & Blower Assy. (NAT) (VK45)..... | 1 |
| 40 | 00-944782-VK45P | Gas Valve & Blower Assy. (LP) (VK45)..... | 1 |
| 41 | 00-944782-VK65N | Gas Valve & Blower Assy. (NAT) (VK65)..... | 1 |
| 42 | 00-944782-VK65P | Gas Valve & Blower Assy. (LP) (VK65)..... | 1 |
| 43 | 00-944782-VK85N | Gas Valve & Blower Assy. (NAT) (VK85)..... | 1 |
| 44 | 00-944782-VK85P | Gas Valve & Blower Assy. (LP) (VK85)..... | 1 |
| 45 | 00-944782-TR45N | Gas Valve & Blower Assy. (NAT) (TR45)..... | 1 |
| 46 | 00-944782-TR45P | Gas Valve & Blower Assy. (LP) (TR45)..... | 1 |
| 47 | 00-944782-TR65N | Gas Valve & Blower Assy. (NAT) (TR65)..... | 1 |
| 48 | 00-944782-TR65P | Gas Valve & Blower Assy. (LP) (TR65)..... | 1 |
| 49 | 00-944782-TR85N | Gas Valve & Blower Assy. (NAT) (TR85)..... | 1 |
| 50 | 00-944782-TR85P | Gas Valve & Blower Assy. (LP) (TR85)..... | 1 |
| 51 | 00-958455-000G1 | Harness - Main..... | 1 |
| 52 | 00-427750-000G1 | Harness (Interface to DVI)..... | 1 |
| 53 | 00-958452-000G1 | Harness - Blower..... | 1 |

* (Revision A - Manufactured before 8/1/17 with drain valve handle mounted at 12 o'clock position. The filter system drain manifolds are 2-1/4 In. diameter and painted black.)

** (Revision B - Manufactured after 8/1/17 with drain valve handle mounted at 10 o'clock position. The filter system drain manifolds are 3 In. diameter and painted red.)

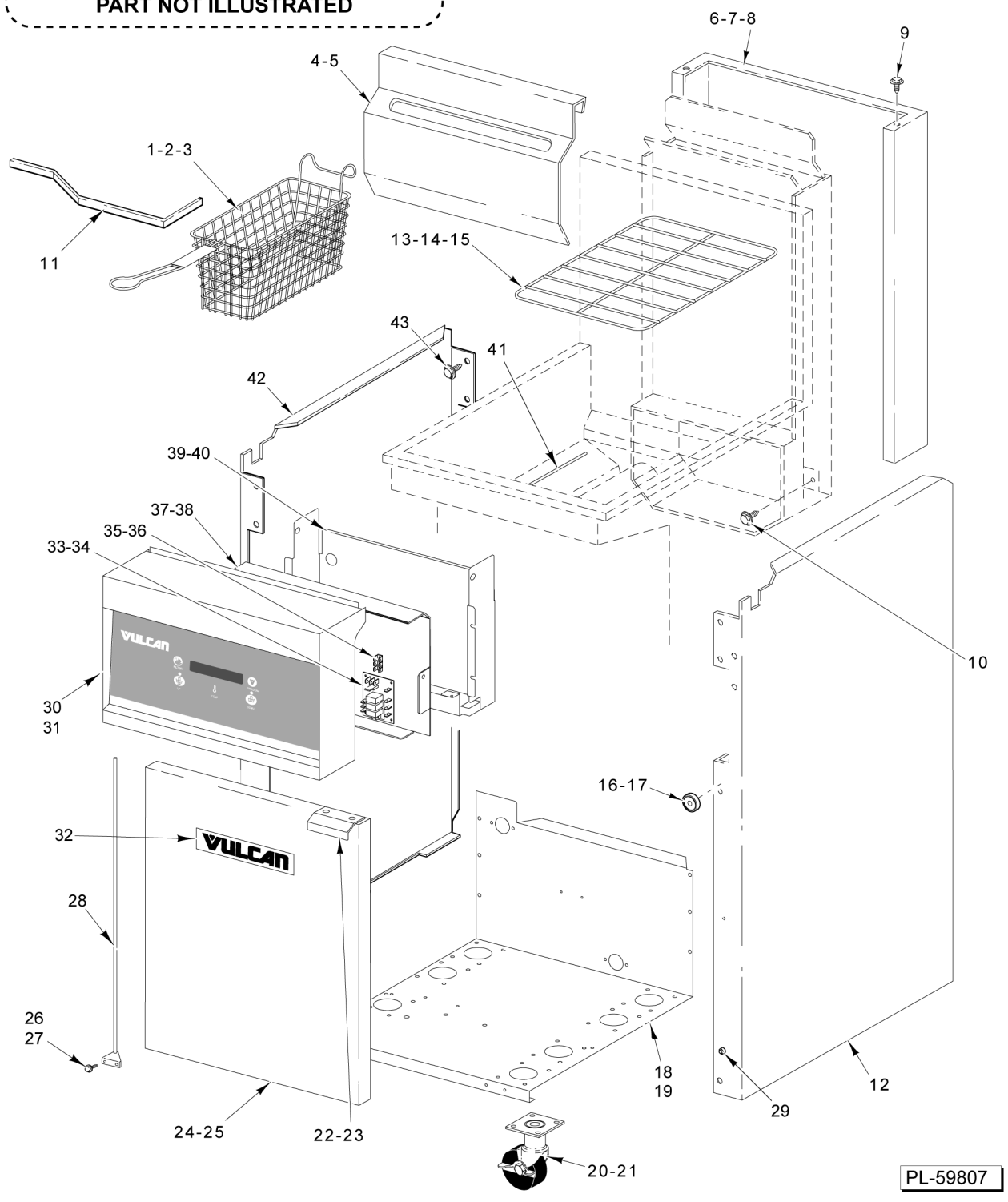


GAS INLET MANIFOLD

GAS INLET MANIFOLD

| ILLUS. PL-59810 | PART NO. | NAME OF PART | AMT. |
|--------------------|-----------------|-----------------------------------------------------------------------------------------------------|------|
| 1 | FP-090-80 | Tee 1-1/4 x 1-1/4 x 1/2..... | AR |
| 2 | FP-035-91 | Pipe 1/2 x 1-1/8 TBE..... | AR |
| 3 | 00-428472-00001 | Valve - Ball..... | AR |
| 4 | FP-035-91 | Pipe 1/2 x 1-1/8 TBE..... | AR |
| 5 | FP-022-11 | Union - Pipe..... | AR |
| 6 | 00-957744-00001 | Pipe - Rear Gas (With Tap) (45 Series)..... | AR |
| 7 | 00-957744-00002 | Pipe - Rear Gas (With Tap) (65/85 Series)..... | AR |
| 8 | FP-085-53 | Pipe Plug 1/8..... | AR |
| 9 | FP-028-26 | Pipe Plug 1-1/4 Sq. Hd..... | AR |
| 10 | 00-957744-00004 | Pipe - Rear Gas (Without Tap) (45 Series)..... | AR |
| 11 | 00-957744-00003 | Pipe - Rear Gas (Without Tap) (65/85 Series)..... | AR |
| 12 | 00-408279-00022 | Regulator - Pressure (3/4 In.) (NAT) (On Units Before 4/17/16)..... | AR |
| 13 | 00-408279-00021 | Regulator - Pressure 3/4 In. (LP) (3/4 In.) (LP) (On Units Before 4/17/16)..... | AR |
| 14 | 00-408279-00012 | Regulator - Pressure (1-1/4 In.) (NAT) (On Units Before 4/17/16)..... | AR |
| 15 | 00-408279-00013 | Regulator - Pressure (1-1/4 In.) (LP) (On Units Before 4/17/16)..... | AR |
| 16 | 00-419878-000G1 | Manifold Assy. - Gas Inlet (2 Units) (45 Series) (Incls. Items 1 thru 6, 8, & 9)..... | AR |
| 17 | 00-419878-000G2 | Manifold Assy. - Gas Inlet (3 Units) (45 Series) (Incls. Items 1 thru 6, 8, 9, & 10)..... | AR |
| 18 | 00-419878-000G7 | Manifold Assy. - Gas Inlet (4 Units) (45 Series) (Incls. Items 1 thru 6, 8, 9, & 10)..... | AR |
| 19 | 00-419876-000G1 | Manifold Assy. - Gas Inlet (2 & 4 Units) (65/85 Series) (Incls. Items 1 thru 5, 7, 8, 9, & 11)..... | AR |
| 20 | 00-419876-000G2 | Manifold Assy. - Gas Inlet (3 Units) (65/85 Series) (Incls. Items 1 thru 5, 7, 8, 9, & 11)..... | AR |
| 21 | FP-013-17 | Elbow - Street 1/2 x 90 Deg..... | AR |

44 00-421756-00001 Brush - Fryer Cleaning
PART NOT ILLUSTRATED



PL-59807

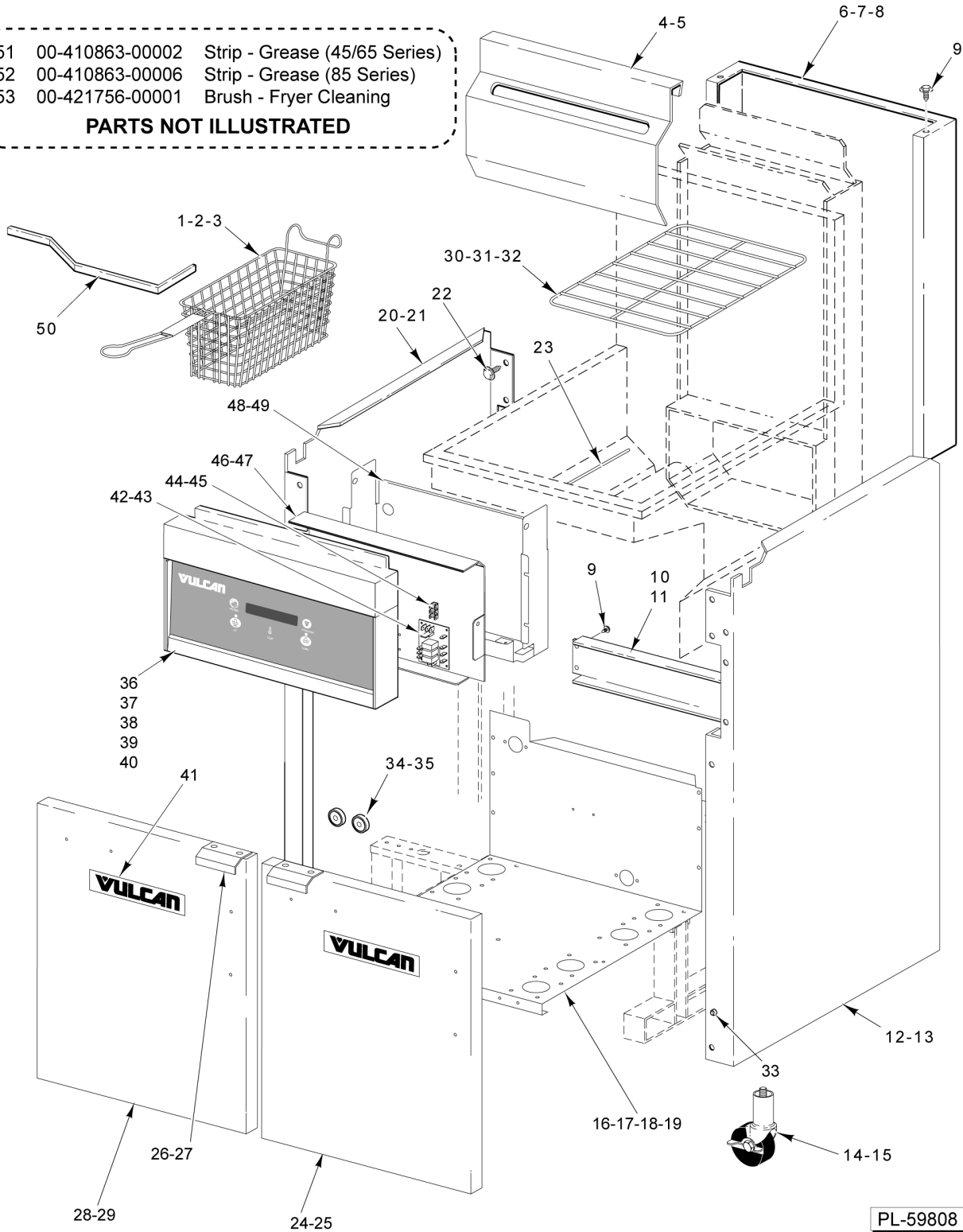
**BODY UNIT
(A/C/D SERIES)
(NON-FILTER)**

**BODY UNIT
(A/C/D SERIES)
(NON- FILTER)**

| ILLUS. PL-59807 | PART NO. | NAME OF PART | AMT. |
|--------------------|-----------------|--------------------------------------------------------------|------|
| 1 | 00-499223-00001 | Basket - Twin (45 Series)..... | AR |
| 2 | 00-499223-00002 | Basket - Twin (65 Series)..... | AR |
| 3 | 00-499223-00004 | Basket - Twin (85 Series)..... | AR |
| 4 | 00-417056-00002 | Hanger - Basket (45 Series)..... | 1 |
| 5 | 00-418321-00002 | Hanger - Basket (65/85 Series)..... | 1 |
| 6 | 00-958711-00001 | Flue - Wrap (SST) (45 Series)..... | 1 |
| 7 | 00-958711-000G2 | Flue - Wrap (SST) (65 Series)..... | 1 |
| 8 | 00-418336-00002 | Flue - Wrap (SST) (85 Series)..... | 1 |
| 9 | SD-032-07 | Self-Tapping Screw 10-24 x 1/2 Hex Washer Hd., Type TT..... | 2 |
| 10 | SD-037-70 | Self-Tapping Screw 1/4-20 x 1/2 Hex Washer Hd., Type TT..... | 4 |
| 11 | 00-409300-00005 | Rod - Clean-Out..... | 1 |
| 12 | 00-420596-00004 | Body - Side (SST) (RH)..... | 1 |
| 13 | 00-427883-00001 | Screen - Basket Support (45 Series)..... | 1 |
| 14 | 00-427883-00003 | Screen - Basket Support (65 Series)..... | 1 |
| 15 | 00-427883-00004 | Screen - Basket Support (85 Series)..... | 1 |
| 16 | RS-033-04 | Rivet - Pop..... | 1 |
| 17 | 00-497296-000G2 | Magnet Assy..... | 1 |
| 18 | 00-497428-00002 | Body - Bottom (45 Series)..... | 1 |
| 19 | 00-497428-00004 | Body - Bottom (65/85 Series)..... | 1 |
| 20 | 00-421893-00001 | Caster - Plate Mount (W/ Brake)..... | AR |
| 21 | 00-421893-00002 | Caster - Plate Mount (No Brake)..... | AR |
| 22 | 00-419653 | Handle..... | 1 |
| 23 | RS-033-04 | Rivet - Pop..... | 2 |
| 24 | 00-499487-000G1 | Door Assy. (LH) (45 Series)..... | 1 |
| 25 | 00-499487-000G5 | Door Assy. (LH) (65/85 Series)..... | 1 |
| 26 | SD-032-07 | Self-Tapping Screw 10-24 x 1/2 Hex Washer Hd., Type TT..... | 2 |
| 27 | NS-044-09 | Nut Assy. 10-24 Hex KEPS..... | 2 |
| 28 | 00-428023-000G2 | Hinge Assy..... | 1 |
| 29 | 00-420769-00001 | Bumper - Rubber..... | 1 |
| 30 | 00-426806-000G1 | Frame - Front Assy. (45 Series)..... | 1 |
| 31 | 00-426806-000G4 | Frame - Front Assy. (65/85 Series)..... | 1 |
| 32 | 00-957916-00005 | Nameplate - Vulcan..... | 1 |
| 33 | 00-427759-00001 | Control - Interface..... | 1 |
| 34 | SD-024-40 | Self-Tapping Screw 6-32 x 5/8 Phil. Pan Hd., Type TT..... | 4 |
| 35 | 00-419317 | Terminal - Stationary..... | 1 |
| 36 | SC-060-23 | Mach. Screw 4-40 x 1/4 Slotted Rd. Hd..... | 2 |
| 37 | 00-428541-00001 | Plate - Control Mounting..... | 1 |
| 38 | 00-428541-00002 | Extension - Control (65/85 Series)..... | 1 |
| 39 | 00-428542-00002 | Deflector Assy. (45 Series)..... | 1 |
| 40 | 00-428689-00002 | Deflector Assy. (65/85 Series)..... | 1 |
| 41 | 00-958474 | Probe - Temperature..... | 1 |
| 42 | 00-420596-00003 | Body - Side (SST) (LH)..... | 1 |
| 43 | SD-036-03 | Self-Tapping Screw 8-18 x 3/8 Hex Washer Hd., Type AB..... | AR |
| 44 | 00-421756-00001 | Brush - Fryer Cleaning..... | 1 |

- 51 00-410863-00002 Strip - Grease (45/65 Series)
- 52 00-410863-00006 Strip - Grease (85 Series)
- 53 00-421756-00001 Brush - Fryer Cleaning

PARTS NOT ILLUSTRATED



PL-59808

**BODY UNIT
(A/C/D SERIES) (FILTER)**

**BODY UNIT
(A/C/D SERIES) (FILTER)**

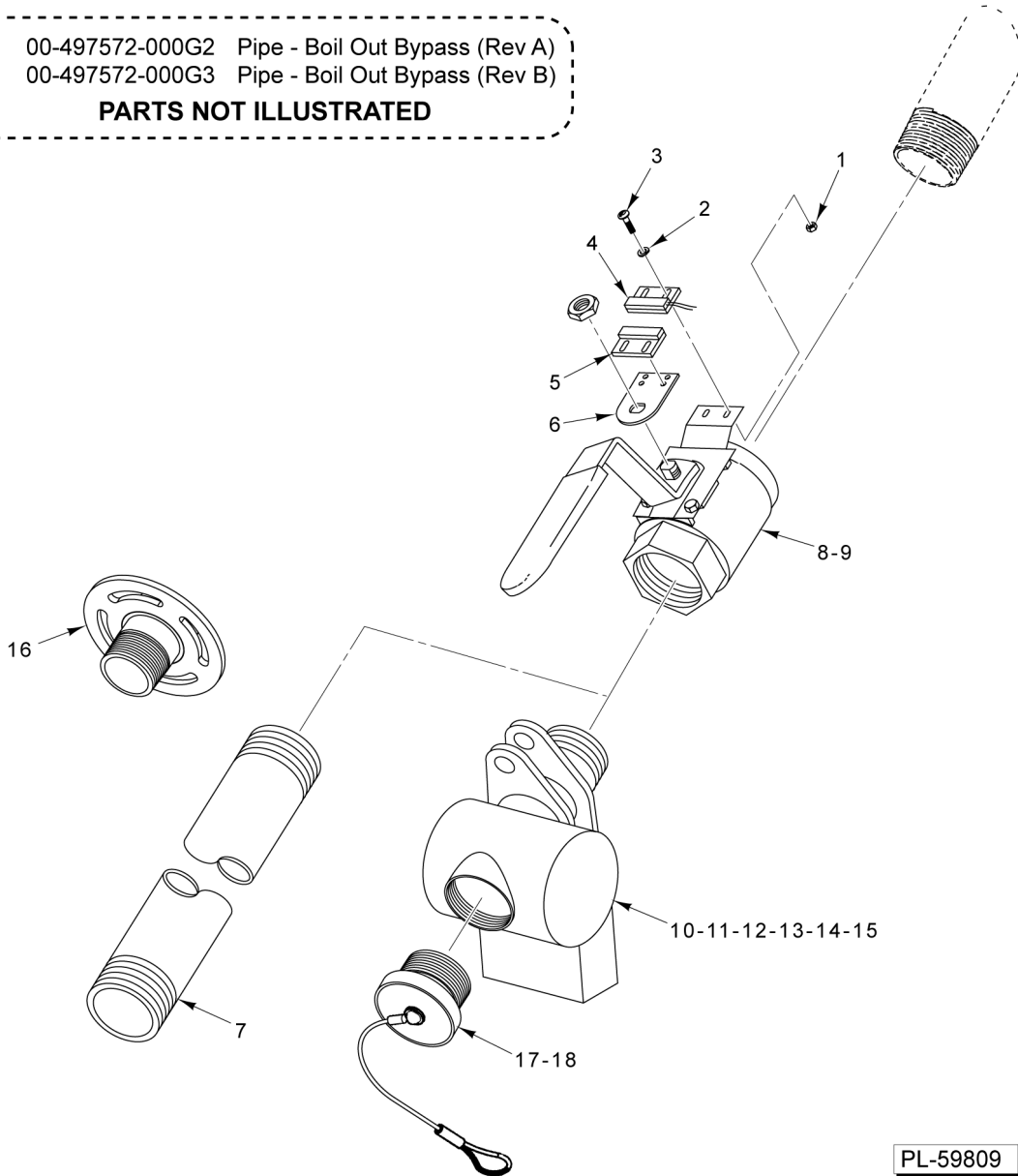
| ILLUS. | PART NO. | NAME OF PART | AMT. |
|----------|-----------------|----------------------------------------------------------------------|------|
| PL-59808 | | | |
| 1 | 00-499223-00001 | Basket - Twin (45 Series)..... | AR |
| 2 | 00-499223-00002 | Basket - Twin (65 Series)..... | AR |
| 3 | 00-499223-00004 | Basket - Twin (85 Series)..... | AR |
| 4 | 00-417056-00002 | Hanger - Basket (45 Series)..... | 2 |
| 5 | 00-418321-00002 | Hanger - Basket (65/85 Series)..... | 2 |
| 6 | 00-958711-00001 | Flue - Wrap (SST) (45 Series)..... | 1 |
| 7 | 00-958711-000G2 | Flue - Wrap (SST) (65 Series)..... | 1 |
| 8 | 00-418336-00002 | Flue - Wrap (SST) (85 Series)..... | 1 |
| 9 | SD-032-07 | Self-Tapping Screw 10-24 x 1/2 Hex Washer Hd., Type TT..... | AR |
| 10 | 00-428699-00002 | Brace - Rear (45 Series)..... | 1 |
| 11 | 00-428749-00002 | NLA - Obsolete--Brace - Rear (65/85 Series)..... | 1 |
| *12 | 00-419777-00004 | Body - Side (SST) (RH)..... | 1 |
| **13 | 00-420596-00004 | Body - Side (SST) (RH)..... | 1 |
| 14 | 00-959832-00001 | Caster - Screw-In Mount (W/ Brake)..... | AR |
| 15 | 00-959832-00003 | Caster - Screw-In Mount (No Brake)..... | AR |
| 16 | 00-497428-00001 | Body - Bottom (22-1/2 Deep) (45 Series) (Section W/O Filter)..... | 1 |
| 17 | 00-497428-00002 | Body - Bottom (27-1/2 Deep) (45 Series) (Section W/O Filter)..... | 1 |
| 18 | 00-497428-00003 | Body - Bottom (22-1/2 Deep) (65/85 Series) (Section W/O Filter)..... | 1 |
| 19 | 00-497428-00004 | Body - Bottom (27-1/2 Deep) (65/85 Series) (Section W/O Filter)..... | 1 |
| *20 | 00-419777-00003 | Body - Side (SST) (LH)..... | 1 |
| **21 | 00-420596-00003 | Body - Side (SST) (LH)..... | 1 |
| 22 | SD-036-03 | Self-Tapping Screw 8-18 x 3/8 Hex Washer Hd., Type AB..... | AR |
| 23 | 00-958474 | Probe - Temperature..... | 1 |
| 24 | 00-499487-000G4 | Door Assy. (RH) (45 Series)..... | 1 |
| 25 | 00-499487-000G8 | Door Assy. (RH) (65/85 Series)..... | 1 |
| 26 | 00-419653 | Handle..... | 2 |
| 27 | RS-033-04 | Rivet - Pop..... | 4 |
| 28 | 00-499487-000G3 | Door Assy. (LH) (45 Series)..... | 1 |
| 29 | 00-499487-000G7 | Door Assy. (LH) (65/85 Series)..... | 1 |
| 30 | 00-427883-00001 | Screen - Basket Support (45 Series)..... | 1 |
| 31 | 00-427883-00003 | Screen - Basket Support (65 Series)..... | 1 |
| 32 | 00-427883-00004 | Screen - Basket Support (85 Series)..... | 1 |
| 33 | 00-420769-00001 | Bumper - Rubber..... | AR |
| 34 | 00-497296-000G2 | Magnet Assy..... | 2 |
| 35 | RS-033-04 | Rivet - Pop..... | 4 |
| 36 | 00-426806-000G2 | Frame - Front Assy. (45 Series) (2 Units)..... | 1 |
| 37 | 00-426806-000G3 | Frame - Front Assy. (45 Series) (3 Units)..... | 1 |
| 38 | 00-426806-000G5 | Frame - Front Assy. (65/85 Series) (2 Units)..... | 1 |
| 39 | 00-426806-000G6 | Frame - Front Assy. (65/85 Series) (3 Units)..... | 1 |
| 40 | 00-426806-000G7 | Frame - Front Assy. (45 Series) (4 Units)..... | 1 |
| 41 | 00-957916-00005 | Nameplate - Vulcan..... | 2 |
| 42 | 00-427759-00001 | Control - Interface..... | 1 |
| 43 | SD-024-40 | Self-Tapping Screw 6-32 x 5/8 Phil. Pan Hd., Type TT..... | 4 |
| 44 | 00-419317 | Terminal - Stationary..... | 1 |
| 45 | SC-060-23 | Mach. Screw 4-40 x 1/4 Slotted Rd. Hd..... | 2 |
| 46 | 00-428541-00001 | Plate - Control Mounting..... | 1 |
| 47 | 00-428541-00002 | Extension - Control (65/85 Series)..... | 1 |
| 48 | 00-428542-00002 | Deflector Assy. (45 Series)..... | 1 |
| 49 | 00-428689-00002 | Deflector Assy. (65/85 Series)..... | 1 |
| 50 | 00-409300-00005 | Rod - Clean-Out..... | 1 |
| 51 | 00-410863-00002 | Strip - Grease (45/65 Series)..... | 1 |
| 52 | 00-410863-00006 | Strip - Grease (85 Series)..... | 1 |
| 53 | 00-421756-00001 | Brush - Fryer Cleaning..... | 1 |

* Used if directly adjacent to the filter pan

** Used if not directly adjacent to the filter pan

- 19 00-497572-000G2 Pipe - Boil Out Bypass (Rev A)
- 20 00-497572-000G3 Pipe - Boil Out Bypass (Rev B)

PARTS NOT ILLUSTRATED



PL-59809

**DRAIN ASSEMBLY
(SINGLE UNIT)**

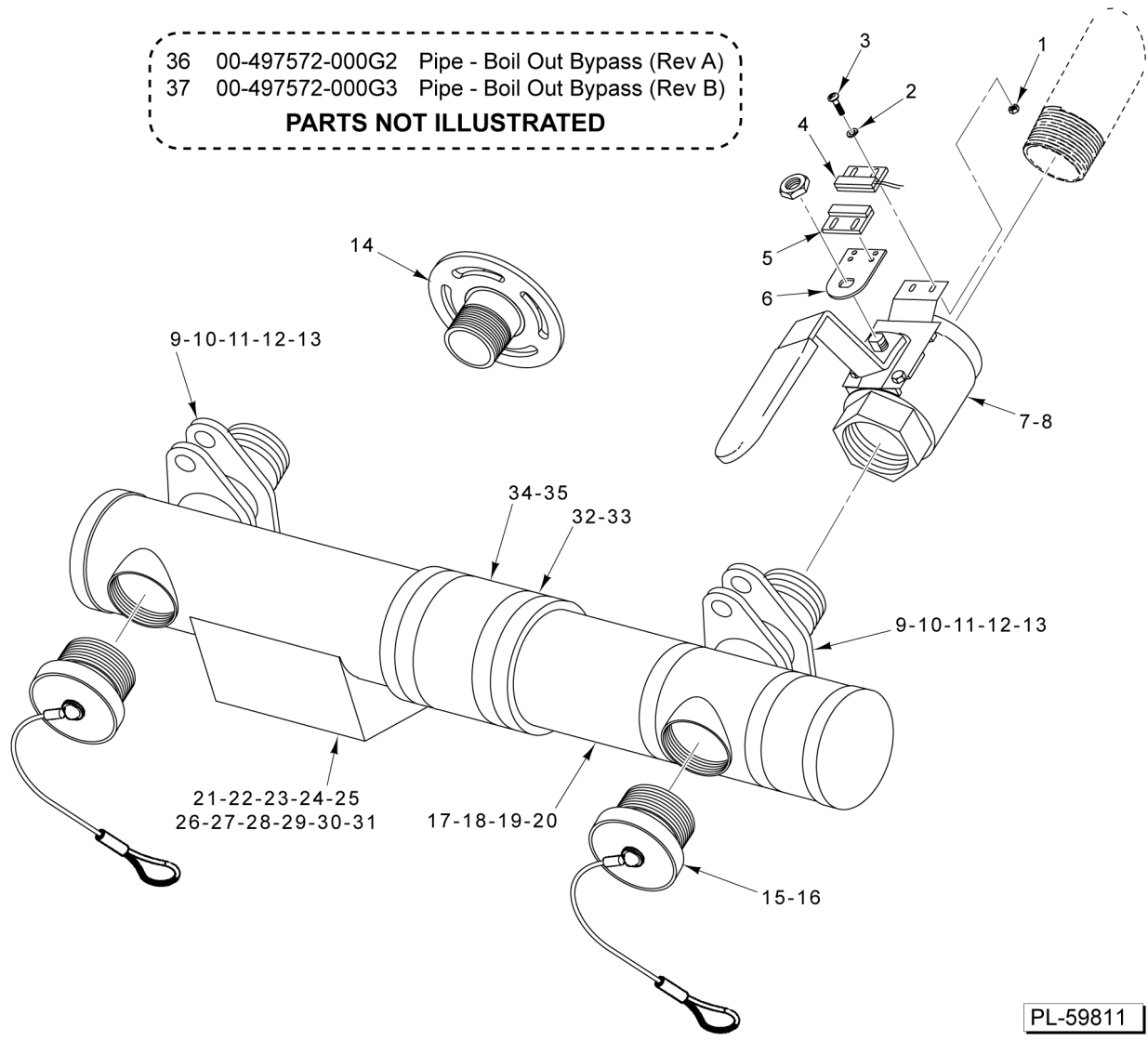
**DRAIN ASSEMBLY
(SINGLE UNIT)**

| ILLUS. PL-59809 | PART NO. | NAME OF PART | AMT. |
|--------------------|-----------------|---------------------------------------------------------------------------------|------|
| 1 | NS-044-01 | Nut Assy. 4-40 KEPS..... | 4 |
| 2 | WL-003-03 | Lockwasher #4 Helical..... | 4 |
| 3 | SC-018-55 | Mach. Screw 4-40 x 1/2 Phil. Pan Hd..... | 4 |
| 4 | 00-426805-000G1 | Switch Assy..... | 1 |
| 5 | 00-426801-00002 | Magnet - Switch Element Head..... | 1 |
| 6 | 00-426798-00002 | Plate - Switch..... | 1 |
| 7 | 00-958713-00001 | Pipe - Transition (No Filter)..... | 1 |
| 8 | 00-913111 | Valve Assy. (1-1/4) (LH) (Incls. Items 1 thru 6) (Before 7/4/19)..... | 1 |
| *9 | 00-976656-00002 | Valve - Drain Assy. (1-1/4) (LH) (Incls. Items 1 thru 6) (Starting 7/4/19)..... | 1 |
| **10 | 00-956829-000G2 | Pipe - Drain (2-1/4 In.)..... | 1 |
| *11 | 00-976518-00023 | Pipe - Drain (3 In.)..... | 1 |
| **12 | 00-420553-00002 | Gasket - Silicone..... | 1 |
| *13 | 00-976617-00001 | Gasket - Silicone..... | 1 |
| **14 | 00-420726-00003 | Flange - Pipe (1-1/4) (Before 8/1/17)..... | 1 |
| *15 | 00-976549 | Flange - Pipe (Large) (8/1/17 thru 7/4/19)..... | 1 |
| 16 | 00-976693-00001 | Drain Flange (Starting 7/4/19)..... | 1 |
| **17 | 00-497571-000G1 | Plug - Drain..... | 1 |
| *18 | 00-497571-000G2 | Plug - Drain..... | 1 |
| **19 | 00-497572-000G2 | Pipe - Boil Out Bypass..... | 1 |
| *20 | 00-497572-000G3 | Pipe - Boil Out Bypass..... | 1 |

* (Revision B - Manufactured after 8/1/17 with drain valve handle mounted at 10 o'clock position. The filter system drain manifolds are 3 In. diameter and painted red.)

** (Revision A - Manufactured before 8/1/17 with drain valve handle mounted at 12 o'clock position. The filter system drain manifolds are 2-1/4 In. diameter and painted black.)

36 00-497572-000G2 Pipe - Boil Out Bypass (Rev A)
 37 00-497572-000G3 Pipe - Boil Out Bypass (Rev B)
PARTS NOT ILLUSTRATED



PL-59811

**DRAIN ASSEMBLY
 (MULTIPLE UNITS)**

DRAIN ASSEMBLY (MULTIPLE UNITS)

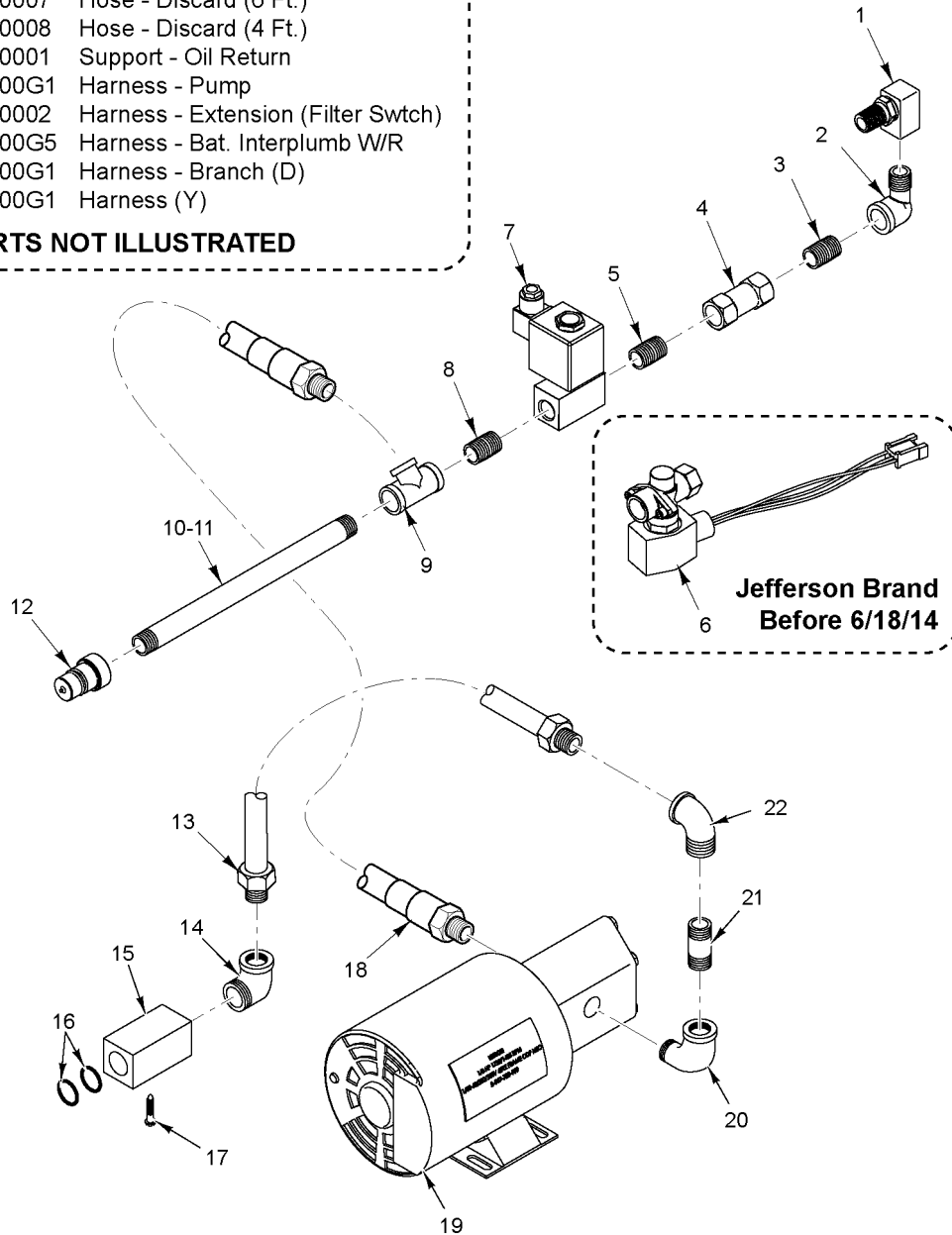
| ILLUS. PL-59811 | PART NO. | NAME OF PART | AMT. |
|--------------------|-----------------|---------------------------------------------------------------------------------|------|
| 1 | NS-044-01 | Nut Assy. 4-40 KEPS..... | 4 |
| 2 | WL-003-03 | Lockwasher #4 Helical..... | 4 |
| 3 | SC-018-55 | Mach. Screw 4-40 x 1/2 Phil. Pan Hd..... | 4 |
| 4 | 00-426805-000G1 | Switch Assy..... | 1 |
| 5 | 00-426801-00002 | Magnet - Switch Element Head..... | 1 |
| 6 | 00-426798-00002 | Plate - Switch..... | 1 |
| 7 | 00-913111 | Valve Assy. (1-1/4) (LH) (Incls. Items 1 thru 6) (Before 7/4/19)..... | 1 |
| *8 | 00-976656-00002 | Valve - Drain Assy. (1-1/4) (LH) (Incls. Items 1 thru 6) (Starting 7/4/19)..... | 1 |
| *9 | 00-976617-00001 | Gasket - Silicone..... | 2 |
| 10 | SC-036-13 | Cap Screw 1/4-20 x 3/4 Hex Hd..... | 4 |
| **11 | 00-420553-00002 | Gasket - Silicone..... | 2 |
| **12 | 00-420726-00003 | Flange - Pipe (1-1/4) (Before 8/1/17)..... | 2 |
| *13 | 00-976549 | Flange - Pipe (Large) (8/1/17 thru 7/4/19)..... | 2 |
| 14 | 00-976693-00001 | Drain Flange (Starting 7/4/19)..... | 1 |
| **15 | 00-497571-000G1 | Plug - Drain..... | 2 |
| *16 | 00-497571-000G2 | Plug - Drain..... | 2 |
| **17 | 00-497566-000G1 | Pipe - Drain (End) (45 Series)..... | 1 |
| *18 | 00-976518-00013 | Pipe - Drain (45 Series)..... | 1 |
| **19 | 00-497566-000G4 | Pipe - Drain (End) (65/85 Series)..... | 1 |
| *20 | 00-976522-00013 | Pipe - Drain (End) (65/85 Series)..... | 1 |
| *21 | 00-976518-00A5V | Pipe - Drain (Entire Manifold) (45 Series) (2 Units)..... | 1 |
| *22 | 00-976522-00A5V | Pipe - Drain With Spout (Entire Manifold) (65/85 Series) (2 Units)..... | 1 |
| **23 | 00-497567-000G3 | Pipe - Drain (End) With Spout (45 Series) (3 Units)..... | 1 |
| *24 | 00-976518-00015 | Pipe - Drain (45 Series) (3 Units)..... | 1 |
| **25 | 00-497567-000G4 | Pipe - LH Drain (End) With Spout (65/85 Series) (2 Units)..... | 1 |
| *26 | 00-976518-00014 | Pipe - Drain (Center) With Spout (45 Series) (4 Units)..... | 1 |
| *27 | 00-976518-00015 | Pipe - Drain (Center) With Spout (45 Series) (3 Units)..... | 1 |
| **28 | 00-497569-000G4 | Pipe - Drain (Center) With Spout (65/85 Series) (3 Units)..... | 1 |
| *29 | 00-976522-00015 | Pipe - Drain (Center) With Spout (65/85 Series) (3 Units)..... | 1 |
| **30 | 00-497568-000G1 | Pipe - Drain (Center) (45 Series) (4 Units)..... | 1 |
| *31 | 00-976522-00014 | Pipe - Drain (Center) With Spout (65/85 Series) (4 Units)..... | 1 |
| **32 | 00-497409-00001 | Clamp - Drain Tube (2-1/4 In.)..... | AR |
| *33 | 00-497409-00002 | Clamp - Drain Tube (3 In.)..... | AR |
| **34 | 00-419351-00001 | Hose - Connect..... | AR |
| *35 | 00-419351-00002 | Hose - Connect..... | AR |
| **36 | 00-497572-000G2 | Pipe - Boil Out Bypass..... | 1 |
| *37 | 00-497572-000G3 | Pipe - Boil Out Bypass..... | 1 |

* (Revision B - Manufactured after 8/1/17 with drain valve handle mounted at 10 o'clock position. The filter system drain manifolds are 3 In. diameter and painted red.)

** (Revision A - Manufactured before 8/1/17 with drain valve handle mounted at 12 o'clock position. The filter system drain manifolds are 2-1/4 In. diameter and painted black.)

| | | |
|----|-----------------|-------------------------------------|
| 23 | 00-521820 | U-Bolt |
| 24 | NS-046-52 | Nut Assy. 1/4-20 Hex |
| 25 | 00-422281-00007 | Hose - Discard (6 Ft.) |
| 26 | 00-422281-00008 | Hose - Discard (4 Ft.) |
| 27 | 00-958681-00001 | Support - Oil Return |
| 28 | 00-428914-000G1 | Harness - Pump |
| 29 | 00-497320-00002 | Harness - Extension (Filter Switch) |
| 30 | 00-422304-000G5 | Harness - Bat. Interplumb W/R |
| 31 | 00-422297-000G1 | Harness - Branch (D) |
| 32 | 00-422299-000G1 | Harness (Y) |

PARTS NOT ILLUSTRATED



PL-59812

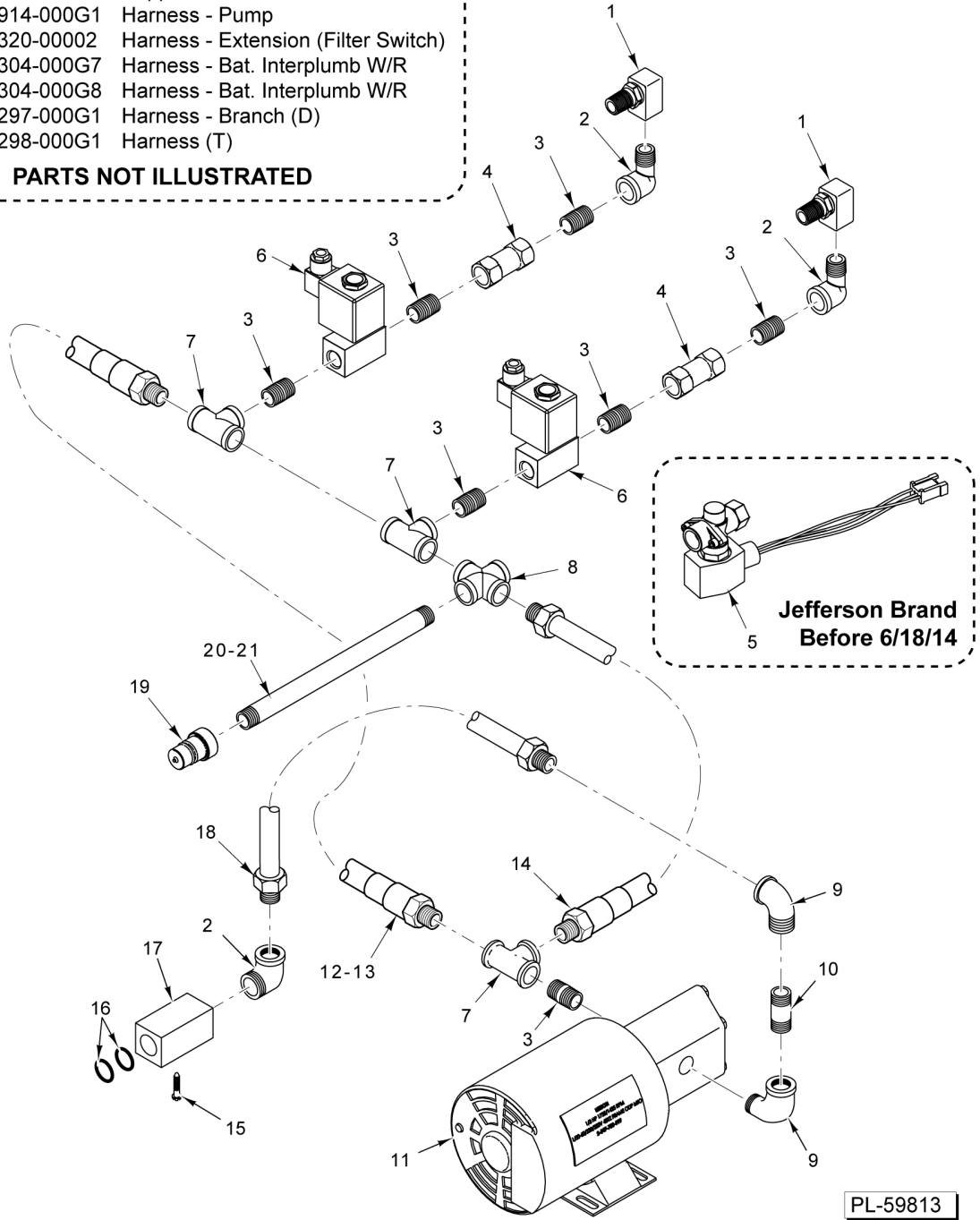
**OIL RETURN
(SINGLE UNIT)**

**OIL RETURN
(SINGLE UNIT)**

| ILLUS. PL-59812 | PART NO. | NAME OF PART | AMT. |
|--------------------|-----------------|-------------------------------------------------------------------|------|
| 1 | 00-419251-00001 | Fitting - 90 Deg. Swivel..... | 1 |
| 2 | FP-013-17 | Elbow - Street 1/2 x 90 Deg..... | 1 |
| 3 | FP-035-91 | Pipe 1/2 x 1-1/8 TBE..... | 1 |
| 4 | 00-418786-00001 | Valve - Check..... | 1 |
| 5 | FP-035-91 | Pipe 1/2 x 1-1/8 TBE..... | 1 |
| 6 | 00-428691-00002 | Valve - Solenoid (120 V.) (Jefferson Brand) (Before 6/18/14)..... | 1 |
| 7 | 00-959909-00001 | Valve - Solenoid (120 V.) (Bacarra Brand) (Starting 6/18/14)..... | 1 |
| 8 | FP-035-91 | Pipe 1/2 x 1-1/8 TBE..... | 1 |
| 9 | FP-019-25 | Tee 1/2 x 1/2 x 1/2..... | 1 |
| 10 | FP-085-79 | Pipe 1/2 x 14-1/4 TBE..... | 1 |
| 11 | FP-090-79 | Pipe 1/2 x 19 TBE..... | 1 |
| 12 | 00-418781-00001 | Quick Disconnect..... | 1 |
| 13 | 00-426602-00004 | Tube - Flex (19 In.)..... | 1 |
| 14 | FP-013-17 | Elbow - Street 1/2 x 90 Deg..... | 1 |
| 15 | 00-426567-00003 | Receptacle - Oil Suction..... | 1 |
| 16 | 00-426567-00002 | O-Ring (Viton)..... | 2 |
| 17 | SC-114-01 | Mach. Screw 10-32 x 3/8 Hex Washer Hd..... | 2 |
| 18 | 00-426602-00001 | Tube - Flex (12 In.)..... | 1 |
| 19 | 00-417792-00008 | Pump Motor Assy. (115/230 V., 60 Hz.) (8 G.P.M.)..... | 1 |
| 20 | FP-077-68 | Elbow 1/2 x 90 Deg..... | 1 |
| 21 | FP-035-95 | Pipe 1/2 x 2 TBE..... | 1 |
| 22 | FP-077-68 | Elbow 1/2 x 90 Deg..... | 1 |
| 23 | 00-521820 | U-Bolt..... | 1 |
| 24 | NS-046-52 | Nut Assy. 1/4-20 Hex..... | 2 |
| 25 | 00-422281-00007 | Hose - Discard (6 Ft.)..... | AR |
| 26 | 00-422281-00008 | Hose - Discard (4 Ft.)..... | AR |
| 27 | 00-958681-00001 | Support - Oil Return..... | 1 |
| 28 | 00-428914-000G1 | Harness - Pump..... | 1 |
| 29 | 00-497320-00001 | Harness - Extension (Filter Switch)..... | 1 |
| 30 | 00-422304-000G5 | Harness - Bat. Interplumb W/R..... | 1 |
| 31 | 00-422297-000G1 | Harness - Brand (D)..... | 1 |
| 32 | 00-422299-000G1 | Harness (Y)..... | 1 |

| | | |
|----|-----------------|-------------------------------------|
| 22 | 00-521820 | U-Bolt |
| 23 | NS-046-52 | Nut Assy. 1/4-20 Hex |
| 24 | 00-422281-00007 | Hose - Discard (6 Ft.) |
| 25 | 00-422281-00008 | Hose - Discard (4 Ft.) |
| 26 | 00-958681-00001 | Support - Oil Return |
| 27 | 00-428914-000G1 | Harness - Pump |
| 28 | 00-497320-00002 | Harness - Extension (Filter Switch) |
| 29 | 00-422304-000G7 | Harness - Bat. Interplumb W/R |
| 30 | 00-422304-000G8 | Harness - Bat. Interplumb W/R |
| 31 | 00-422297-000G1 | Harness - Branch (D) |
| 32 | 00-422298-000G1 | Harness (T) |

PARTS NOT ILLUSTRATED

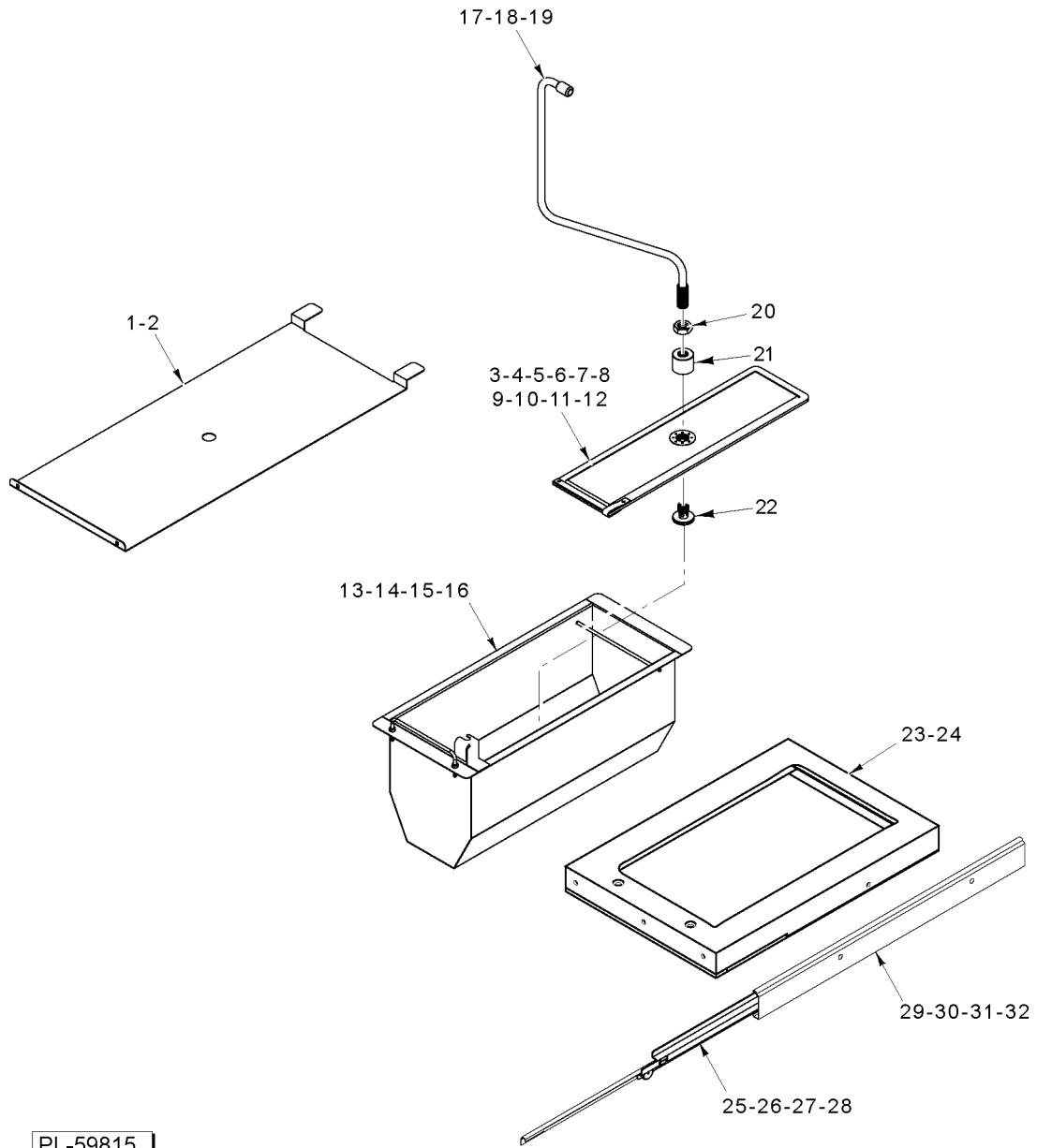


**OIL RETURN
(MULTIPLE UNITS)**

PL-59813

**OIL RETURN
(MULTIPLE UNITS)**

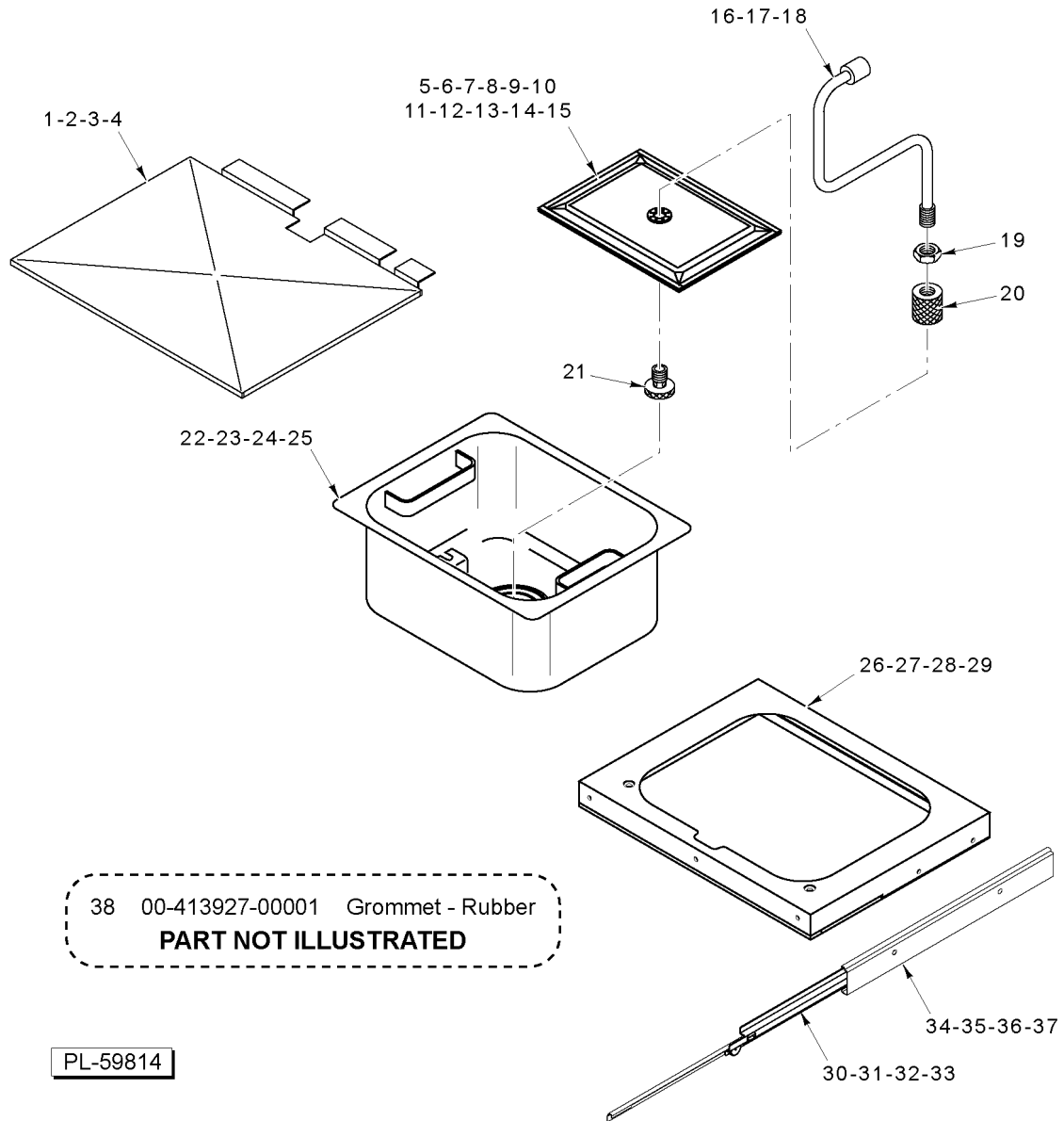
| ILLUS. PL-59813 | PART NO. | NAME OF PART | AMT. |
|--------------------|-----------------|-------------------------------------------------------------------|------|
| 1 | 00-419251-00001 | Fitting - 90 Deg. Swivel..... | 2 |
| 2 | FP-013-17 | Elbow - Street 1/2 x 90 Deg..... | 3 |
| 3 | FP-035-91 | Pipe 1/2 x 1-1/8 TBE..... | 7 |
| 4 | 00-418786-00001 | Valve - Check..... | 2 |
| 5 | 00-428691-00002 | Valve - Solenoid (120 V.) (Jefferson Brand) (Before 6/18/14)..... | 2 |
| 6 | 00-959909-00001 | Valve - Solenoid (120 V.) (Bacarra Brand) (Starting 6/18/14)..... | 2 |
| 7 | FP-019-25 | Tee 1/2 x 1/2 x 1/2..... | 3 |
| 8 | FP-034-01 | Pipe - Cross 1/2 NPT..... | 1 |
| 9 | FP-077-68 | Elbow 1/2 x 90 Deg..... | 2 |
| 10 | FP-035-95 | Pipe 1/2 x 2 TBE..... | 1 |
| 11 | 00-417792-00008 | Pump Motor Assy. (115/230 V., 60 Hz.) (8 G.P.M.)..... | 1 |
| 12 | 00-426602-00001 | Tube - Flex (12 In.)..... | 1 |
| 13 | 00-426602-00004 | Tube - Flex (19 In.)..... | 1 |
| 14 | 00-426602-00001 | Tube - Flex (12 In.)..... | 1 |
| 15 | SC-114-01 | Mach. Screw 10-32 x 3/8 Hex Washer Hd..... | 2 |
| 16 | 00-426567-00002 | O-Ring (Viton)..... | 2 |
| 17 | 00-426567-00003 | Receptacle - Oil Suction..... | 1 |
| 18 | 00-426602-00002 | Tube - Flex (29 In.)..... | 1 |
| 19 | 00-418781-00001 | Quick Disconnect..... | 1 |
| 20 | FP-085-79 | Pipe 1/2 x 14-1/4 TBE..... | 1 |
| 21 | FP-090-79 | Pipe 1/2 x 19 TBE..... | 1 |
| 22 | 00-521820 | U-Bolt..... | 1 |
| 23 | NS-046-52 | Nut Assy. 1/4-20 Hex..... | 2 |
| 24 | 00-422281-00007 | Hose - Discard (6 Ft.)..... | AR |
| 25 | 00-422281-00008 | Hose - Discard (4 Ft.)..... | AR |
| 26 | 00-958681-00001 | Support - Oil Return..... | 1 |
| 27 | 00-428914-000G1 | Harness - Pump..... | 1 |
| 28 | 00-497320-00002 | Harness - Extension (Filter Switch)..... | 1 |
| 29 | 00-422304-000G7 | Harness - Bat. Interplumb W/R..... | 1 |
| 30 | 00-422304-000G8 | Harness - Bat. Interplumb W/R..... | 1 |
| 31 | 00-422297-000G1 | Harness - Brand (D)..... | 1 |
| 32 | 00-422298-000G1 | Harness (T)..... | 1 |



**FILTER ASSEMBLY
(SINGLE UNIT)**

FILTER ASSEMBLY (SINGLE UNIT)

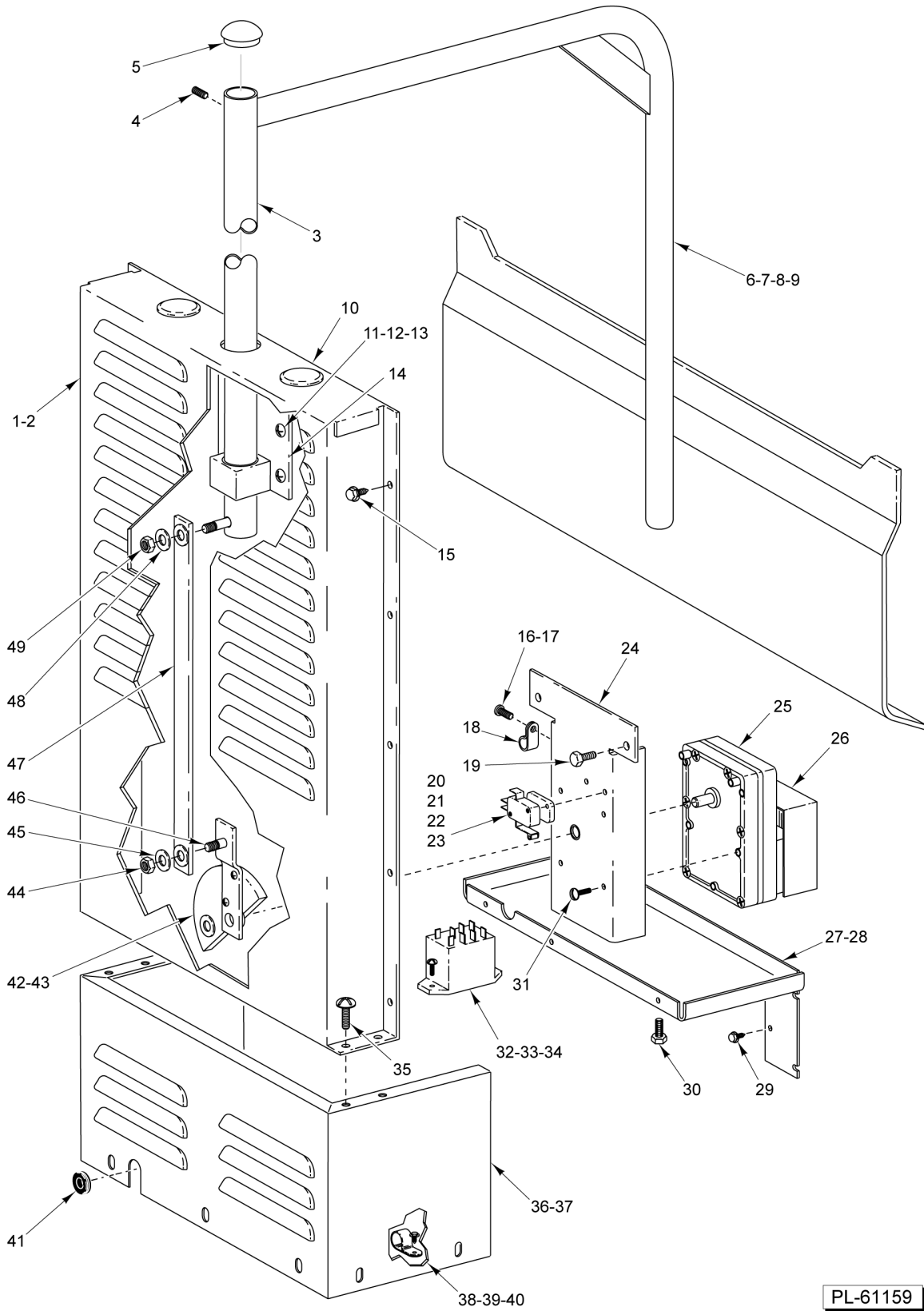
| ILLUS. PL-59815 | PART NO. | NAME OF PART | AMT. |
|--------------------|------------------|--------------------------------------------------------------------------|------|
| 1 | 00-956904-00001 | Splash Guard (11 x 22 In.) (45 Series)..... | 1 |
| 2 | 00-956904-00002 | Splash Guard (16-1/2 x 22 In.) (65/85 Series)..... | 1 |
| 3 | 00-499087-00002 | Screen - Fine Mesh Filter (Metal) (22 x 5 In.) (45 Series) | 1 |
| 4 | 00-499087-00004 | Screen - Fine Mesh Filter (Metal) (22 x 10-1/2 In.) (65/85 Series) | 1 |
| 5 | 00-499085-00003 | Insert - Filter Screen (2-1/4 x 19 In.) (45 Series)..... | 1 |
| 6 | 00-499085-00005 | Insert - Fabric Envelope (3-3/4 x 22 In.) (45 Series)..... | 1 |
| 7 | 00-499085-00006 | Insert - Fabric Envelope (9-1/4 x 22 In.) (65/85 Series)..... | 1 |
| 8 | 00-499085-00007 | Insert - Filter Screen (7-3/4 x 19 In.) (65/85 Series)..... | 1 |
| 9 | 00-499086-00002 | Filter - Envelope (23.5 x 5) (45 Series)..... | 1 |
| 10 | 00-499086-00003 | Filter - Envelope (23.5 x 10.5) (65/85 Series)..... | 1 |
| 11 | 00-499089-00002 | Clip - Filter, Envelope (5 In. Lg.) (45 Series)..... | 1 |
| 12 | 00-499089-00003 | Clip - Filter, Envelope (10-1/2 In. Lg.) (65/85 Series)..... | 1 |
| 13 | 00-958000-000G5 | Pan Assy. - Filter (11-1/8 Tall) (45 Series)..... | 1 |
| 14 | 00-958000-000G11 | Pan Assy. - Filter (10-1/4 Tall) (45 Series)..... | 1 |
| 15 | 00-958000-000G6 | Pan Assy. - Filter (11-1/8 Tall) (65/85 Series)..... | 1 |
| 16 | 00-958000-000G12 | Pan Assy. - Filter (10-1/4 Tall) (65/85 Series)..... | 1 |
| 17 | 00-499081-000G10 | Tube - Suction (Used With Item 13 & 15)..... | 1 |
| 18 | 00-956901-000G11 | Suction Tube Assy. (Incls. Items 21 & 22) (Used With Item 13 & 15)..... | 1 |
| 19 | 00-956901-000G23 | Suction Tube Assy. (Incls. Items 21 & 22) (Used With Item 14 & 16)..... | 1 |
| 20 | NS-017-49 | Jam Nut 3/4-16 Hex..... | 1 |
| 21 | 00-499083-00002 | Coupling - Suction..... | 1 |
| 22 | 00-499084-00002 | Knob - Port Suction..... | 1 |
| 23 | 00-956907-000G3 | Top - Counter Assy. (9.875 x 24 Cutout) (45 Series)..... | 1 |
| 24 | 00-956907-000G4 | Top - Counter Assy. (15.375 x 24 Cutout) (65/85 Series)..... | 1 |
| 25 | 00-958026-00008 | Roller (RH) (27-1/2 In.)..... | 1 |
| 26 | 00-958026-00002 | Roller (RH) (21-1/2 In.)..... | 1 |
| 27 | 00-958026-00011 | Roller (LH) (27-1/2 In.)..... | 1 |
| 28 | 00-958026-00005 | Roller (LH) (21-1/2 In.)..... | 1 |
| 29 | 00-958026-000G3 | Guide - Cabinet (RH) (21-1/2 In.)..... | 1 |
| 30 | 00-958026-000G5 | Guide - Cabinet (RH) (27-1/2 In.)..... | 1 |
| 31 | 00-958026-000G4 | Guide - Cabinet (LH) (21-1/2 In.)..... | 1 |
| 32 | 00-958026-000G6 | Guide - Cabinet (LH) (27-1/2 In.)..... | 1 |



**FILTER ASSEMBLY
(MULTIPLE UNITS)**

**FILTER ASSEMBLY
(MULTIPLE UNITS)**

| ILLUS. PL-59814 | PART NO. | NAME OF PART | AMT. |
|--------------------|-----------------|--------------------------------------------------------------------------|------|
| 1 | 00-428518-00001 | Splash Guard (25.25 x 22.125) (45 Series)..... | 1 |
| 2 | 00-956904-00001 | Splash Guard (11 x 22 In.) (45 Series)..... | 1 |
| 3 | 00-428519-00001 | Splash Guard (36.25 x 22.125) (65/85 Series)..... | 1 |
| 4 | 00-956904-00002 | Splash Guard (16-1/2 x 22 In.) (45/65/85 Series)..... | 1 |
| 5 | 00-499087-00002 | Screen - Fine Mesh Filter (Metal) (22 x 5 In.)..... | 1 |
| 6 | 00-499087-00003 | Screen - Fine Mesh Filter (Metal) (16 x 12-1/2 In.)..... | 1 |
| 7 | 00-499087-00004 | Screen - Fine Mesh Filter (Metal) (22 x 10-1/2 In.)..... | 1 |
| 8 | 00-499085-00002 | Insert - Fabric Envelope (11 x 15 In.)..... | 1 |
| 9 | 00-499085-00003 | Insert - Filter Screen (2-1/4 x 19 In.)..... | 1 |
| 10 | 00-499085-00004 | Insert - Filter Screen (10-1/2 x 13-1/2 In.)..... | 1 |
| 11 | 00-499085-00005 | Insert - Fabric Envelope (3-3/4 x 22 In.)..... | 1 |
| 12 | 00-499085-00006 | Insert - Fabric Envelope (9-1/4 x 22 In.)..... | 1 |
| 13 | 00-499085-00007 | Insert - Filter Screen (7-3/4 x 19 In.)..... | 1 |
| 14 | 00-499089-00002 | Clip - Filter, Envelope (5 In. Lg.)..... | 1 |
| 15 | 00-499089-00003 | Clip - Filter, Envelope (10-1/2 In. Lg.)..... | 1 |
| 16 | 00-499081-000G3 | Tube - Suction (Used With Item 22 & 24)..... | 1 |
| 17 | 00-499092-000G1 | Suction Tube Assy. (Incls. Items 19 & 20) (Used With Items 22 & 24)..... | 1 |
| 18 | 00-956901-00G23 | Suction Tube Assy. (Incls. Items 19 & 20) (Used With Items 23 & 25)..... | 1 |
| 19 | NS-017-49 | Jam Nut 3/4-16 Hex..... | 1 |
| 20 | 00-499083-00002 | Coupling - Suction..... | 1 |
| 21 | 00-499084-00002 | Knob - Port Suction..... | 1 |
| 22 | 00-497374-000G1 | Vessel Assy. (23 x 16 Bottom) (45 Series)..... | 1 |
| 23 | 00-958000-00G11 | Pan Assy. - Filter (10-1/4 Tall) (23.5 x 5.25 Bottom) (45 Series)..... | 1 |
| 24 | 00-497374-000G2 | Vessel Assy. (28 x 16 Bottom) (65/85 Series)..... | 1 |
| 25 | 00-958000-00G12 | Pan Assy. Filter (23.5 x 10.75 Bottom) (45/65/85 Series)..... | 1 |
| 26 | 00-956907-000G1 | Top - Counter (21 x 17 Cutout) (45 Series)..... | 1 |
| 27 | 00-956907-000G3 | Top - Counter Assy. (24 x 9.875 Cutout) (45 Series)..... | 1 |
| 28 | 00-956907-000G2 | Top - Counter (29-1/4 x 17 Cutout) (65/85 Series)..... | 1 |
| 29 | 00-956907-000G4 | Top - Counter Assy. (24 x 15.375 Cutout) (45/65/85 Series)..... | 1 |
| 30 | 00-958026-00002 | Roller (RH) (21-1/2 In.)..... | 1 |
| 31 | 00-958026-00008 | Roller (RH) (27-1/2 In.)..... | 1 |
| 32 | 00-958026-00005 | Roller (LH) (21-1/2 In.)..... | 1 |
| 33 | 00-958026-00011 | Roller (LH) (27-1/2 In.)..... | 1 |
| 34 | 00-958026-000G3 | Guide - Cabinet (RH) (21-1/2 In.)..... | 1 |
| 35 | 00-958026-000G5 | Guide - Cabinet (RH) (27-1/2 In.)..... | 1 |
| 36 | 00-958026-000G4 | Guide - Cabinet (LH) (21-1/2 In.)..... | 1 |
| 37 | 00-958026-000G6 | Guide - Cabinet (LH) (27-1/2 In.)..... | 1 |
| 38 | 00-413927-00001 | Grommet - Rubber..... | 1 |



PL-61159

BASKETLIFT COMPONENTS

BASKETLIFT COMPONENTS

| ILLUS. | PART NO. | NAME OF PART | AMT. |
|----------|-----------------|-------------------------------------------------------------|------|
| PL-61159 | | | |
| 1 | 00-418481-00001 | Wrap - Top (45 Series)..... | 1 |
| 2 | 00-418511-00001 | Wrap - Top (65/85 Series)..... | 1 |
| 3 | 00-418503-00001 | Tube - Basketlift..... | 1 |
| 4 | SC-088-40 | Set Screw 5/16-24 x 1/4 Hex Hdls., Cup Pt..... | 1 |
| 5 | PB-004-04 | Plug Button (1-1/4)..... | 1 |
| 6 | 00-956914-00G10 | Arm - Basket Assy. (Single) (45/65 Series)..... | 1 |
| 7 | 00-956914-00G2 | Arm - Basket Assy. (Single) (85 Series)..... | 1 |
| 8 | 00-956914-00G11 | Arm - Basket Assy. (Double) (45/65 Series)..... | 1 |
| 9 | 00-956914-00G1 | Arm - Basket Assy. (Double) (85 Series)..... | 1 |
| 10 | PB-004-04 | Plug Button (1-1/4)..... | 2 |
| 11 | SD-032-07 | Self-Tapping Screw 10-24 x 1/2 Hex Washer Hd., Type TT..... | 2 |
| 12 | WS-004-33 | Washer..... | 6 |
| 13 | NS-047-73 | Lock Nut 5/16-18 Hex..... | 6 |
| 14 | 00-418478-000G1 | Bearing Support Assy..... | 1 |
| 15 | SD-036-03 | Self-Tapping Screw 8-18 x 3/8 Hex Washer Hd., Type AB..... | 10 |
| 16 | SC-109-10 | Mach. Screw 6-32 x 3/8 Slotted Pan Hd. (SST)..... | 1 |
| 17 | NS-009-07 | Nut 6-32 Hex..... | 1 |
| 18 | 00-078752-00012 | Clamp - Cable..... | 1 |
| 19 | SC-037-80 | Cap Screw 10-24 x 1/2 Hex Hd..... | 8 |
| 20 | NS-009-02 | Nut 4-40 Hex..... | 2 |
| 21 | SC-112-90 | Mach. Screw 4-40 x 1 Slotted Pan Hd..... | 2 |
| 22 | 00-411496-000F3 | Microswitch..... | 1 |
| 23 | 00-418159-00001 | Block - Cam Switch..... | 1 |
| 24 | 00-418123-000G1 | Plate - Motor..... | 1 |
| 25 | 00-418156-00001 | Gear - Motor (115 V., 60 Hz.)..... | 1 |
| 26 | 00-418517-00001 | Shroud - Motor..... | 1 |
| 27 | 00-418484-00001 | Base - Motor Mounting (45 Series)..... | 1 |
| 28 | 00-418513-00001 | Base - Motor Mounting (65/85 Series)..... | 1 |
| 29 | SD-032-07 | Self-Tapping Screw 10-24 x 1/2 Hex Washer Hd., Type TT..... | 2 |
| 30 | SC-037-80 | Cap Screw 10-24 x 1/2 Hex Hd..... | 2 |
| 31 | SC-018-47 | Mach. Screw 10-32 x 3/4 Slotted Pan Hd..... | 4 |
| 32 | 00-416535-00004 | Switch - Relay S.P.D.T. 24 V..... | 1 |
| 33 | SC-109-10 | Mach. Screw 6-32 x 3/8 Slotted Pan Hd. (SST)..... | 3 |
| 34 | NS-009-07 | Nut 6-32 Hex..... | 3 |
| 35 | SD-036-03 | Self-Tapping Screw 8-18 x 3/8 Hex Washer Hd., Type AB..... | 4 |
| 36 | 00-418480-00001 | Wrap - Bottom (45 Series)..... | 1 |
| 37 | 00-418510-00001 | Wrap - Bottom (65/85 Series)..... | 1 |
| 38 | 00-078752-00012 | Clamp - Cable..... | 1 |
| 39 | SC-109-10 | Mach. Screw 6-32 x 3/8 Slotted Pan Hd. (SST)..... | 1 |
| 40 | NS-009-07 | Nut 6-32 Hex..... | 1 |
| 41 | 00-418482-00001 | Grommet..... | 1 |
| 42 | 00-418475-000G1 | Crank - Arm Assy..... | 1 |
| 43 | SC-055-02 | Set Screw 1/4-20 x 1/4 Hdls., Cup Pt. (SST)..... | 2 |
| 44 | NS-047-73 | Lock Nut 5/16-18 Hex..... | 1 |
| 45 | WS-004-33 | Washer..... | 1 |
| 46 | SD-015-41 | Self-Tapping Screw 8-32 x 1/2 Phil. Pan Hd., Type TT..... | 2 |
| 47 | 00-418477-000G1 | Coupler Assy..... | 1 |
| 48 | WS-004-33 | Washer..... | 1 |
| 49 | NS-047-73 | Lock Nut 5/16-18 Hex..... | 1 |

