

INSTALLATION & OPERATION MANUAL

VULCAN ENDURANCE / WOLF CHALLENGER Gas Restaurant Ranges

ITW Food Equipment Group



MODELS:

12(F) 24S(F) 36(S,C)(F)
48(S,C)(F) 48SS(F)
60(S,C)(S,C)(F) 72(S,C)(S,C)(F)

www.vulcanequipment.com
www.wolfequipment.com

ITW Food Equipment Group, LLC
3600 North Point Blvd
Baltimore, MD 21222

RETAIN THIS MANUAL FOR FUTURE USE

FORM F38201 Rev. E (01-19)

IMPORTANT FOR YOUR SAFETY

THIS MANUAL HAS BEEN PREPARED FOR PERSONNEL QUALIFIED TO INSTALL GAS EQUIPMENT, WHO SHOULD PERFORM THE INITIAL FIELD START-UP AND ADJUSTMENTS OF THE EQUIPMENT COVERED BY THIS MANUAL.

POST IN A PROMINENT LOCATION THE INSTRUCTIONS TO BE FOLLOWED IN THE EVENT THE SMELL OF GAS IS DETECTED. THIS INFORMATION CAN BE OBTAINED FROM THE LOCAL GAS SUPPLIER.

IMPORTANT

In the event a gas odor is detected, shut down units at main shutoff valve and contact the local gas supplier for service.

FOR YOUR SAFETY

Do not store or use gasoline or other flammable vapors or liquids in the vicinity of this or any other appliance.

WARNING

Improper installation, adjustment, alteration, service or maintenance can cause property damage, injury or death. Read the installation, operating and maintenance instructions thoroughly before installing or servicing this equipment.

IN THE EVENT OF A POWER FAILURE, DO NOT ATTEMPT TO OPERATE THIS DEVICE.

CONTENTS

OPTIONAL FIELD INSTALLABLE ACCESSORIES	4
INSTALLATION	5
UNPACKING	5
LOCATION	5
INSTALLATION CODES AND STANDARDS	5
LEG/CASTER ASSEMBLY	6
BACKSPLASH RISER and SHELF INSTALLATION	8
LEVELING	9
BULLNOSE INSTALLATION	9
INSTALLATION OF GRIDDLE/BROILER BRICKS	12
PLUMBING	12
GAS CONNECTIONS	12
TESTING THE GAS SUPPLY SYSTEM	13
ELECTRICAL CONNECTIONS	13
OPERATION	13
CONTROLS	13
BEFORE FIRST USE	14
LIGHTING PILOTS	14
SHUTTING DOWN	17
OPERATING SUGGESTIONS	17
LOADING AND UNLOADING THE OVEN	17
CLEANING	18
DAILY CLEANING	18
EXTERIOR CLEANING	19
MAINTENANCE & ADJUSTMENTS	20
TROUBLESHOOTING	21

INSTALLATION, OPERATION AND CARE OF VULCAN ENDURANCE / WOLF CHALLENGER GAS RESTAURANT RANGES

PLEASE KEEP THIS MANUAL FOR FUTURE USE

GENERAL

Vulcan Endurance and Wolf Challenger ranges and ovens are produced with quality workmanship and material. These ranges are designed with efficiency in cooking performance, sanitation and ease of cleaning ability in mind. Proper installation, usage and maintenance of your range will result in many years of satisfactory performance.

The manufacturer suggests that you thoroughly read this entire manual and carefully follow all of the instructions provided.

Reference manual F961533 for refrigerated base setups.

OPTIONAL FIELD INSTALLABLE ACCESSORIES

ACCESSORY CODE	DESCRIPTION
3/4QDH-4FT 1INFLEX-4FT	¾" (18.75 mm) flex hose / quick disconnect 4' (1219 mm long). 1" (25 mm) flex hose / quick disconnect, 4' (1219 mm) long.
ALTIKIT-CARN (01,03,05,07,09) ALTIKIT-CARP (02,04,06,08,10)	Altitude Kit - Available in Natural Gas or Propane (LP) for the following altitudes: 0-1999 ft, 2000-3999 ft, 4000-5999, 6000-7999, 8000-9999.
CASTERS-RR4 CASTERS-ADJRR4	Set of four (4) standard casters. Set of four (4) adjustable casters. <i>Two (2) sets required for 48", 60", and 72" ranges</i>
CONNECT-CHALL	Inter-Plumb kit for connecting for Salamander/Cheesemelter to range.
CONRACK-XL(20,26) OVNRACK-XL(20,26) RKGUIDE-XL	1 extra oven rack with convection ovens. 1 extra oven rack with standard ovens. 1 pair of rack guides (set of 2).
CURBMNT-XL4	Curb mounting kit. Two (2) sets required for 48", 60", and 72" ranges.
OTB-STEPUP	Step up rear burner 4". One kit needed per burner.
RCCONRL- (24,36,48,60,72)	Condiment Rail Assembly - Replaces standard bullnose. Available for 24", 36", 48", 60", and 72" ranges. (Does not include condiment pans)
RCCUTBD- (24,36,48,60,72)	Cutting Board Assembly - Replaces standard bullnose. Available for 24", 36", 48", 60", and 72" ranges. (Includes Sani-TUFF® all-rubber cutting board)
RCTWLBR- (24,36,48,60,72)	Towel Bar Assembly - Replaces standard bullnose. Available for 24", 36", 48", 60", and 72" ranges.
RSHELF-XL (24,36,48,60,72)	Reinforced High Shelf - 23" (584 mm) high stainless steel backsplash with broiler mounting brackets for Salamander/Cheesemelter.
SHIELD-FRYRH	Fryer Splash Shield - Right hand or left hand side. Protects range top against

SHIELD-FRYLH	grease splatter from adjacent fryer.
STUB10-XL (24,36,48,60,72)	10" Stainless steel stub riser. Available for 24", 36", 48", 60", and 72" ranges. <i>12" ranges ship standard with 10" stub riser.</i>
VFLANGED-FEET/4	Set of four (4) flanged feet. <i>Two (2) sets required for 48", 60", and 72" ranges.</i>

INSTALLATION

UNPACKING

This range was inspected before leaving the factory. The transportation company assumes full responsibility for safe delivery upon acceptance of the shipment. Immediately after unpacking, check for possible shipping damage. If the range is found to be damaged, save the packaging material and contact the carrier within 5 days of delivery.

Carefully unpack range(s) and place in the approximate installation position. Remove parts packed in a small cardboard box from oven cavity or shipped separately in finishing kit.

If burner has been shipped using any package strapping devices, remove these before installing the range.

Before installing, check the type of gas supply (natural or propane) to make sure they agree with the specifications on the rating plate located on the inside of the kick panel. If the supply and equipment requirements do not agree, do not proceed with the installation. Contact your dealer immediately.

LOCATION

The equipment area must be kept free and clear of combustible substances.

Installation clearances:	<u>COMBUSTIBLE CONSTRUCTION</u>	<u>NON-COMBUSTIBLE CONSTRUCTION</u>
Back:	6" (152 mm)	0"
Right Side:	10" (254 mm)	0"
Left Side:	10" (254 mm)	0"

The installation location must allow adequate clearances for servicing and proper operation. A minimum front clearance of 35" (889 mm) is required.

The ranges are suitable for installation on combustible floors when 6" (152 mm) adjustable legs or casters are used. When legs or casters are removed, use only on noncombustible floors, curb, or platform, with front appliance base projecting 3" (76 mm) beyond curb or platform.

The range(s) must be installed so that the flow of combustion and ventilation air will not be obstructed. Adequate clearance for air openings into the combustion chamber(s) must be provided. Make sure there is an adequate supply of air in the room to allow for combustion of the gas at the burners.

INSTALLATION CODES AND STANDARDS

Your Vulcan Endurance / Wolf Challenger Range must be installed in accordance with:

In the United States of America:

1. State and local codes.
2. National Fuel Gas Code, ANSI-Z223.1/NFPA #54 (latest edition). This shall include but not be limited to: NFPA #54 Section 10.3.5.2 for Venting. Copies may be obtained from The American Gas Association Accredited Standards Committee Z223, @ 400 N. Capital St. NW, Washington, DC 20001 or the Secretary Standards Council, NFPA, 1 Batterymarch Park Quincy, MA 02169-7471.

NOTE: In the Commonwealth of Massachusetts

All gas appliances vented through a ventilation hood or exhaust system equipped with a damper or with a power means of exhaust shall comply with 248 CMR.

3. NFPA Standard # 96 Vapor Removal from Cooking Equipment, latest edition, available from the National Fire Protection Association, Batterymarch Park, Quincy, MA 02269.

In Canada:

1. Local codes.
2. CAN/CSA-B149.1 Natural Gas Installation (latest edition)
3. CAN/CSA-B149.2 Propane Installation Code (latest edition), available from the Canadian Gas Association, 178 Rexdale Blvd., Etobicoke, Ontario, Canada M9W 1R3

The above are available from the Canadian Standard Association, 5060 Spectrum Way, Suite 100, Mississauga, Ontario, Canada L4W 5N6.

LEG/CASTER ASSEMBLY

The range is provided with 6"(152 mm) adjustable stainless steel legs (hardware included), packaged in a box located inside of the oven or in a finishing kit. A set of 6"(152 mm) casters (adjustable or non-adjustable) are available as an optional field installable accessory.

RANGE SERIES (width)	LEGS TO INSTALL	CASTERS TO INSTALL
12"	4	4
24"	4	4
36"	4	4
48"	8	8
60"	8	8
72"	8	8

Installation of Legs/Casters:

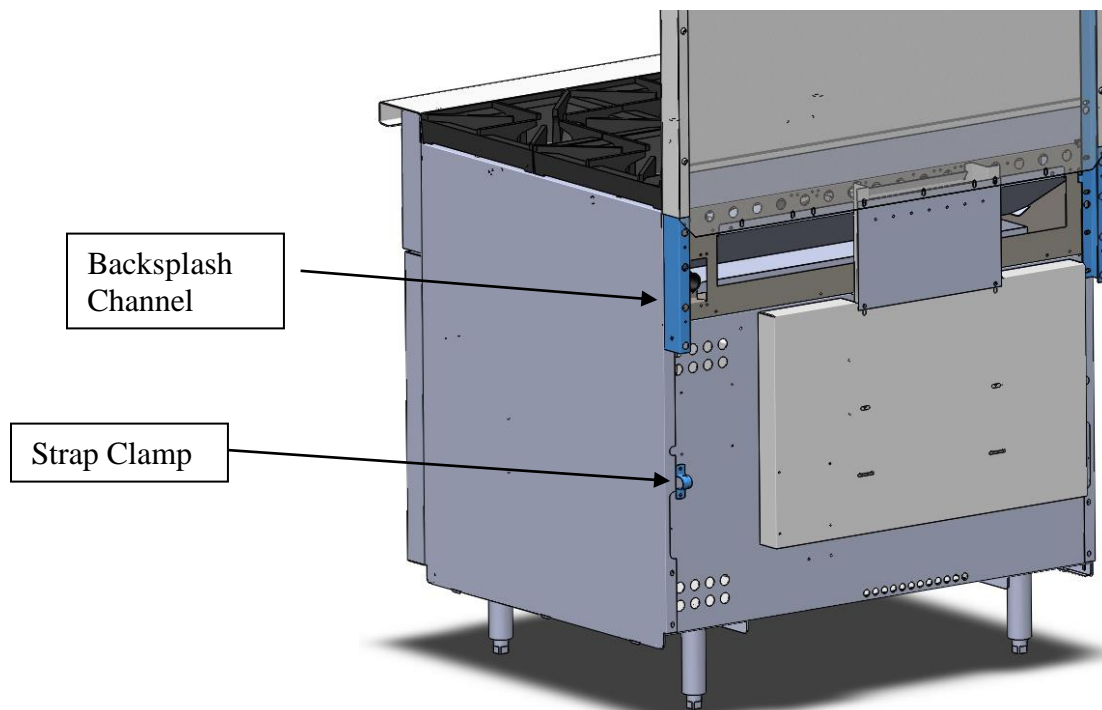
1. Carefully tip range on its side or back. Rear flue assembly can be removed to avoid damage.
2. Align holes in leg/caster mounting plate with pre-drilled holes on the bottom of range located in each of the four corners. Four additional legs/casters must be installed on the 48", 60", and 72" ranges.
3. Attach mounting plate to bottom of range using four (4) ¼ - 20 x ¾" thread cutting screws (provided). If casters are being installed, the locking casters should be mounted on the front.

4. After all legs/casters have been installed, carefully return the range to its upright position.

(For additional leg information, see “LEVELING” section of this manual).

Ranges mounted on casters must use a flexible connector (not included) that complies with the Standard for Connectors for Movable Gas Appliances, ANSI Z21.69•CSA 6.16 and a quick-disconnect device that complies with the Standard for Quick-Disconnect Devices for Use With Gas Fuel, ANSI Z21.41•CSA 6.9.

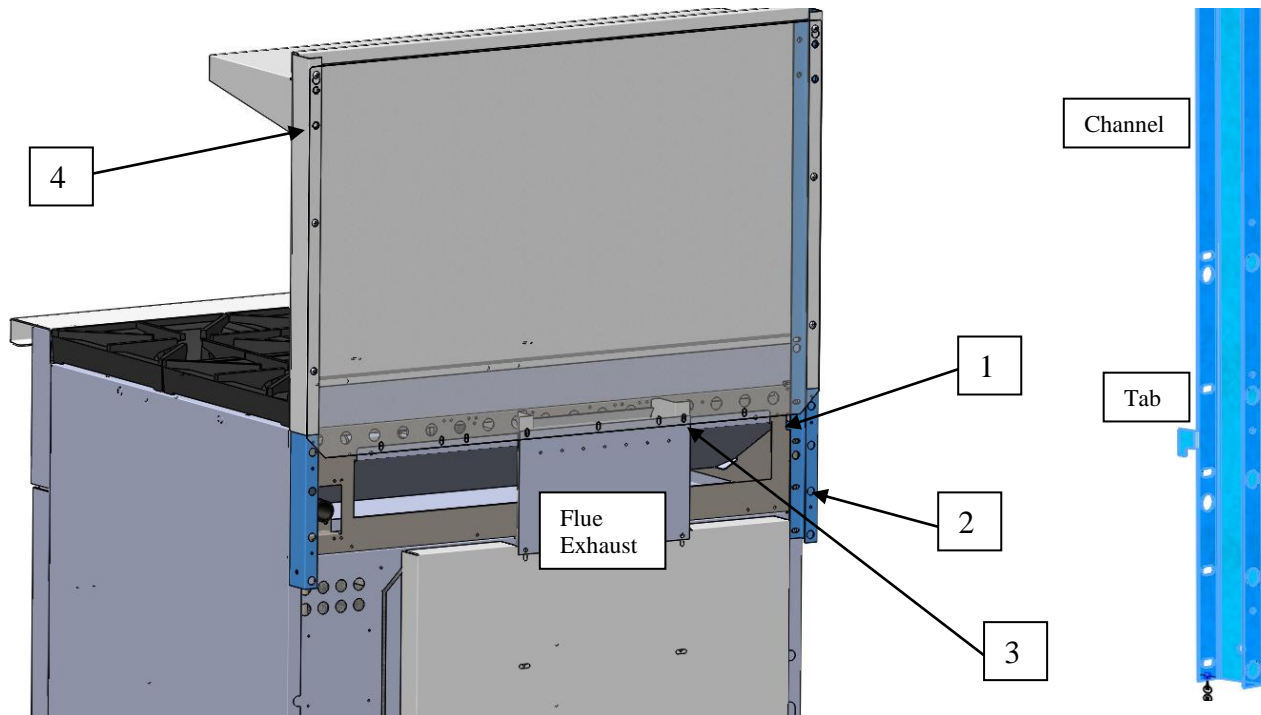
In addition, adequate means must be provided to limit movement of the appliance without depending on the connector and the quick-disconnect device or its associated piping to limit appliance movement. Attachment points are available on the rear of the range including a strap clamp (for connection of a restraint) and the backsplash channel thru holes.



If disconnection of the restraint is necessary, turn off the gas supply before disconnection. Reconnect this restraint prior to turning the gas supply on and returning the range to its installation position.

If the range is installed on casters and is moved for any reason, it is recommended that the range be re-leveled front to back and side to side for even baking.

BACKSPLASH RISER and SHELF INSTALLATION



1. Engage Tab on Backsplash Channels into the slots in the back of the Frame (shown) so that Backsplash freely hangs in place. The Backsplash front will lip over most, but not all, griddle configurations.
2. Install Screws to secure Channels to Frame (QTY 4 per Channel). All Screws are #10-24 x $\frac{1}{2}$ unless noted otherwise.
3. Install Screws to secure Backsplash to Flue Exhaust (QTY 2 per Flue Exhaust).
4. Install Shelf over the top of the Back Splash; ensure the Channel on the top of the Shelf engages the top flange of the Backsplash. Secure with $\frac{1}{4}$ -20 Bolts/Nuts provided (Qty 4).

NOTE:

- Reinforced Riser and Shelf Installation Instruction is supplied separately, 921132.
- Shelves cannot be installed over charbroilers. Intermediate shelf bracket, 922416, and installation instruction, 922417, are supplied separately.

DO NOT obstruct the flow of flue gases from the flue located on the rear of the range. Proper venting of flue gas is vital to the safe and efficient operation of the range. Problems arising from the intentional obstruction of the flue will result in voiding of warranty. It is recommended that the flue gases be ventilated to the outside of the building through a ventilation system installed by qualified personnel.

From the termination of the flue to the filters of the hood venting system, a minimum clearance of 18" (457 mm) must be maintained. Information on the construction and installation of ventilating hoods

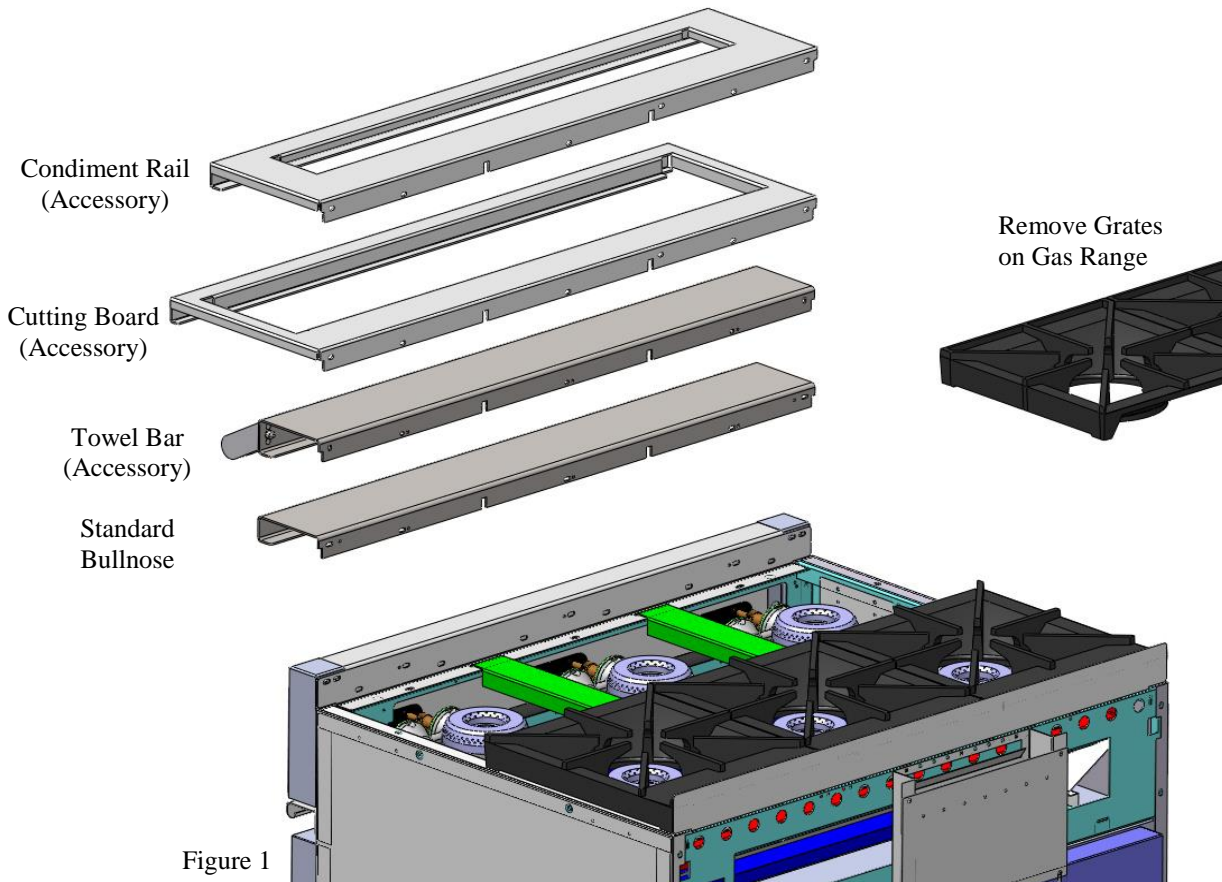
may be obtained from the standard for "Vapor Removal from Cooking Equipment," NFPA No. 96 (latest edition), available from the National Fire Protection Association, Batterymarch Park, Quincy, MA 02269.

LEVELING

To level the range, place a carpenter's level on the range top and check leveling of the unit side to side and front to rear. Achieve leveling by turning each foot section of the unit's leg as needed. Turning the foot in a counter clockwise direction will increase height and clockwise will decrease.

BULLNOSE INSTALLATION

- 1.) Remove Grate Castings along the front edge of the Range.
- 2.) Slide Bullnose over mounting bracket and align with Range so that it is not offset in either direction.
- 3.) Start screw at one end of the Range, do not tighten completely.
- 4.) Going across the width of the Range install the next screw, as shown in Figure 2, set the alignment and tighten screw completely.
- 5.) Install the remaining screws and tighten all screws completely.



Note: Align the end of the Bullnose with the Range for fit.

Install Screws, #10-24 x ½ Phillips Head, in slots on Bullnose as noted.

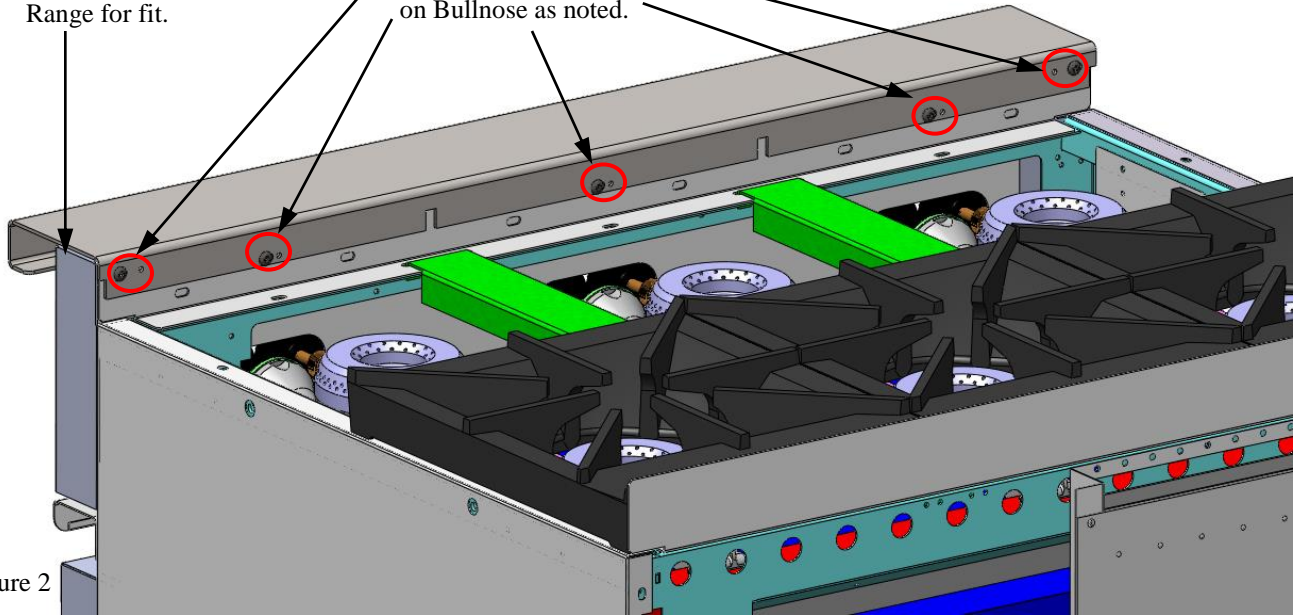
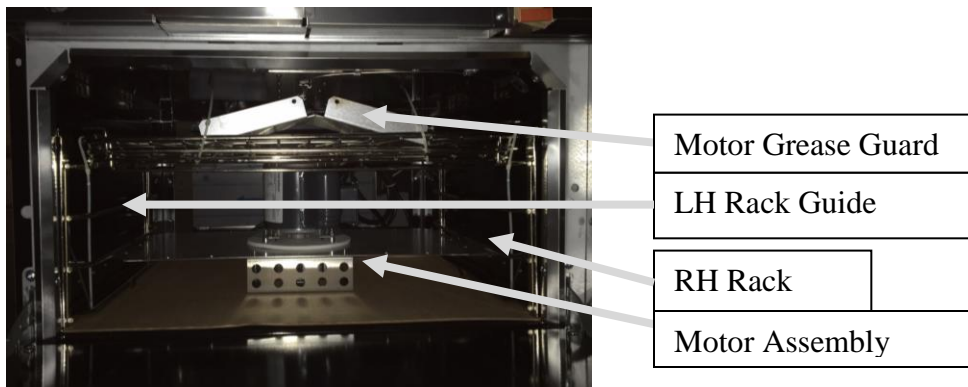


Figure 2

Re-install the Grate Castings along the front edge of the range.

MOTOR ASSEMBLY INSTALLATION INSTRUCTIONS

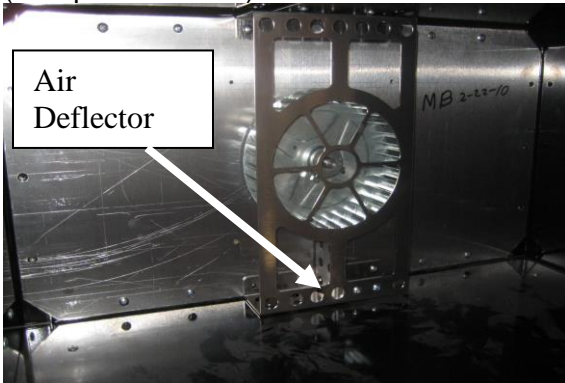
1. Remove the oven racks and the box containing legs, regulator and plumbing fittings. In some instances, the legs, regulator and plumbing fittings will be shipped in separate finishing kit. Check that all the listed components shown in figure are present.



2. Remove the packaging and motor grease guard from inside the oven and slide out the rack guides. Tip the Motor Assembly to upright position.
3. Push the motor assembly to the rear in the oven cavity, taking care not to pinch the power cord or the wiring conduit. Assemble the motor assembly **from the inside of the oven** and the blower cover with #10-24 (or #10-32) x ½ Phillips truss head screws provided in the hardware bag.



4. Ensure that blower cover is assembled such that air deflector is to the bottom side of the oven. (See picture below).



5. Assemble rack guides by inserting the two tabs into slots on the side wall. Insert oven racks.



6. Assemble the motor grease guard from the rear of the unit with QTY 4 #10-24 x 1/2 screws.



INSTALLATION OF GRIDDLE/BROILER BRICKS (For Models ending in **GBN** or **GBP**)

1. Remove six 5 ¼" x 2 ¼" (133 x 57 mm) and six 5 ¼" x 5 ⅙" (133 x 129 mm) bricks from the shipping box packaged in the oven cavity.
2. Install the 5 ¼" x 2 ¼" (133 x 57 mm) bricks to the left and right hand sides of the broiler by inserting the bricks individually through the front opening in the broiler. Angle the brick sideways for easy fit between the burner edges. Set the bricks flat in place, resting on the broiler side and burner edges. Push each brick as far to the rear of the broiler as possible to ensure easy fit of the last brick.
3. Install the remaining six 5 ¼" x 5 ⅙" (133 x 129 mm) bricks to the center section as described in step 2. Place the bricks on the center burner edges only.

PLUMBING

A preset gas pressure regulator and plumbing fittings are shipped uninstalled. This regulator must be installed by an authorized service person before the unit is placed into operation. See full unit data plate located on the rear of the range, or the secondary data plate, riveted to the kick panel, for pressure regulator setting information. If a manometer is being used, utilizing one of the available pressure taps in the manifold, the manifold pressure with one burner on should be ± 0.3" W.C. of the value indicated on the rating plate.

1. Refer to the Modular Range Field Plumbing Reference Guide (p/n 921861 or 960167) shipped with the regulator and fittings for 48", 60", and 72" ranges.
2. Cover the pipe threads with pipe joint compound resistant to propane gases.
3. For 12", 24", and 36" ranges, screw the reducer, pipe nipple, and regulator onto the pipe with the regulator flow direction arrow pointing towards the back of the unit and the regulator adjustment in the upright position.

For 48", 60", and 72" ranges, follow the assembly steps as detailed in the Modular Range Field Plumbing Reference Guide.

4. The pressure regulator must be mounted horizontally to ensure the leak limiter functions properly. A leak limiter is supplied with every regulator to allow excess gas pressure to escape. Do not obstruct the limiter or the gas regulator, as obstruction may cause the regulator to malfunction.

GAS CONNECTIONS

NOTICE All gas supply connections and any pipe joint compound used must be resistant to the action of propane gases.

WARNING Prior to lighting, check all joints in the gas supply line for leaks. Use soap and water solution. Do not use an open flame.

After piping has been checked for leaks, all piping receiving gas should be fully purged to remove air.

TESTING THE GAS SUPPLY SYSTEM

When test pressures exceed ½ psig (3.45 kPa), the range and its individual shutoff valve must be disconnected from the gas supply piping system.

When test pressures are ½ psig (3.45 kPa) or less, the range must be isolated from the gas supply system by closing its individual manual shutoff valve.

ELECTRICAL CONNECTIONS

⚠ WARNING Electrical and grounding connections must comply with the applicable portions of the National Electrical Code and/or other local electrical codes.

⚠ WARNING Disconnect the electrical power to the machine and follow Lockout / Tagout procedures.

⚠ WARNING Appliances equipped with a flexible electrical supply cord are provided with a three-prong grounding plug. It is imperative that this plug be connected into a properly grounded three-prong receptacle. If the receptacle is not the proper grounding type, contact an electrician. Do not remove the grounding prong from this plug.

The convection range is designed for 120 volt power supply and is provided with a flexible electric supply cord and plug that must be plugged into the proper receptacle. Do not connect the convection range to electrical supply until after gas connections have been made. The wiring diagram for the convection range is located on the rear of the appliance.

OPERATION

QUALIFIED PERSONNEL SHOULD PERFORM THE INITIAL FIELD START-UP AND ADJUSTMENTS OF THE EQUIPMENT COVERED BY THIS MANUAL.

⚠ WARNING The appliance and its parts are hot. Use care when operating, cleaning, or servicing the appliance.

CONTROLS

Open Top Burner Valve — Allows gas to flow to the top burners. To open valve, turn knob counterclockwise. To close valve, turn knob clockwise.

Manual Griddle Valve — Allows gas to flow to the griddle burners. To open valve, turn knob counterclockwise. To close valve, turn knob clockwise.

Thermostatic Griddle Control — Regulates griddle temperature. The thermostat temperature range is from LOW at approximately 200°F (93°C) to HI at approximately 550°F (288°C). Turn the thermostat clockwise to increase temperature and counterclockwise to decrease temperature.

Oven Thermostat — Regulates oven temperature. The thermostat temperature range is from LOW at approximately 250°F (121°C) to HI at approximately 500°F (260°C). Turn the thermostat counterclockwise to increase temperature and clockwise to decrease temperature. Oven temperature regulation is the most accurate between 300°F (149°C) and 500°F (260°C).

Safety Valve – Monitors standing pilot. All ovens and select griddle and open top burner devices (Flame Safety models) feature a standing pilot that is monitored by a thermocouple and pilot safety valve. If the pilot goes out, the safety valve will shut-off the gas supply to the pilot and main burners.

Fan Switch – Turns fan on and off (Convection Ovens only). Fan turns on when door is closed. Fan turns off when door is opened. The fan will always run when the Oven is on. It is not possible to run a Convection oven with the fan off.

BEFORE FIRST USE

Open Top

Remove top grates from range top to carry out initial seasoning. Do not season the grates while installed on the range top. Once grates are removed from range, apply a light coating of liquid vegetable or spray-type cooking oil to each grate (seasoning process).

After seasoning, replace grates onto the range. Turn on all open top sections to LOW and allow to burn for at least 15 minutes before using pots or pans on the range top. Failure to season grates will cause grates to rust. Upon initial use, grates may show white coloring. This will go away over time with proper seasoning care. Use of water and a wire or stiff brush on the grate, followed by immediate drying before the next seasoning will help preserve the cast iron color.

Ovens

New ovens require a burn off period to break in the oven and eliminate unappetizing odors from penetrating the food product.

Turn on gas to unit and set the thermostat to 475°F (246°C). Allow the oven to operate at this temperature for 30 to 45 minutes.

Griddles

Before leaving the factory the griddle is coated with food grade lubricants as a rust inhibitor. Remove this film when the griddle plate is being cleaned prior to its first cooking use. Heat the griddle to 200-300°F to loosen and melt the coating, then clean the surface with a non-corrosive, grease-dissolving commercial cleaner, following the manufacturer's directions. Rinse thoroughly and wipe dry with a soft clean cloth. Clean all accessories.

NOTICE The griddle plate is steel, but the surface is soft and can be scored or dented by careless use of spatulas or scrappers. Be careful not to dent, scratch or gouge the plate. Do not try to knock off loose food that may be on the spatula by tapping the corner edge of the spatula on the griddle surface.

Season the griddle to avoid possible surface corrosion before first use, and after every cleaning. Heat griddle to a low temperature (300-350°F) and apply a small amount of cooking oil – about one ounce per square foot of surface. Use a soft lint-free cloth to spread the oil over the entire griddle surface to create a thin film. Wipe off any excess oil with a cloth. Repeat the procedure until the griddle has a slick, mirror-like finish.

LIGHTING PILOTS AND VERIFYING BURNER OPERATION

All burner configurations are equipped with standing pilots allowing for instant appliance use and low maintenance. Lighting should be infrequent except during initial start-up or full appliance shut-down.

Pilot safety monitoring is standard on all ovens and is optional for open top burner and griddle devices (Flame Safety models). Manual piezo ignition may be provided.

Open Top Burner, Griddle (see next section for Flame Safety models)

1. Remove front row of grates (Open Top Only).
2. Turn the main gas supply valve to range to the ON position.
3. Light all standing pilots.
Open Top Burners - Pilot access can be reached under the grates.
Griddles – Pilot access can be reached under the griddle plate through the slotted opening in the manifold cover near the burner valve knob.
4. Turn the burner valve ON to ensure operation.
5. If burners fail to light, turn off all valves, and call an authorized installation or service person.
6. Turn the burner valve to the OFF position to shut off burner. Pilot will remain lit.
7. If complete pilot shut down is desired, turn main gas supply valve to range to OFF.

Open Top Burner, Griddle (Flame Safety models)

1. Remove front row of grates (Open Top Burners Only)
2. Turn the main gas supply valve to range to the ON position.
3. Depress and hold safety valve button and light pilot either conventionally by applying a flame or using rotary piezo igniter. Repeat for each safety valve. Rotary piezo igniter operation is shown below.



4. Turn the burner valve ON to ensure operation.
5. If burners fail to light, turn off all valves, and call an authorized installation or service person.

6. Turn the burner valve to the OFF position to shut off burner. Pilot will remain lit.
7. If complete pilot shut down is desired, turn main gas supply valve to range to OFF

Griddle/Broiler

1. Turn the main gas supply valve to range to the ON position.
2. Light all standing pilots.
Pilot access can be reached under the griddle through the broiler opening. The pilot is on the bottom left side of the griddle/broiler burner.
3. Turn the burner valve ON to ensure operation.
4. If burners fail to light, turn off all valves, and then call an authorized installation or service person.
5. Turn the burner valve to the OFF position to shut off burner. Pilot will remain lit.
6. If complete pilot shut down is desired, turn main gas supply valve to range to OFF.

Oven (Standard & Convection)

1. Turn thermostat to OFF position.
2. Turn the main gas supply valve to the range to the ON position.
3. Lift up on the kick panel and rotate down 90°.
4. Depress red button on safety valve and light pilot through opening in burner box area. NOTE: for ovens equipped with Rotary Piezo ignitor, rotary dial may be turned to create a spark for lighting.
5. Hold red button down for at least 30 seconds.
6. When button is released, pilot should remain lit.
7. Pilot flame must be high enough to heat thermocouple.
8. Return the kick panel to original position.
9. To Turn Oven On:

Standard Oven – Turn oven control dial to desired temperature and ensure operation. If ignition fails, turn the oven control dial to OFF. Wait 5 minutes and repeat the above procedure.

Convection Oven – Turn on fan switch located between oven control dial and pilot safety valve. This switch must be flipped to ON, otherwise the oven will not operate.

Turn oven control dial to desired temperature and ensure operation
If ignition fails, turn the fan switch and oven control dial to OFF. Wait 5 minutes and repeat the above procedure.

DO NOT attempt to relight pilot without waiting 5 minutes.

10. To turn Oven Off:

Standard Oven – Turn oven control dial to OFF position. Pilot will remain lit.

Convection Oven – Turn oven control dial AND Fan switch to OFF position. Pilot will remain lit.

11. If complete pilot shut down is desired, turn main gas supply valve to range to OFF.

SHUTTING DOWN

All burners are equipped with standing pilots that remain lit when control valves are turned OFF. Convection ovens will additionally need the fan switch turned OFF.

For complete range shutdown, and to extinguish all pilots, turn off main gas supply valve to range.

OPERATING SUGGESTIONS

Open-Top Burners

Open-top burners are quickly lit and require no preheating time. Open top burners have a wide low to high burner flame adjustment range. This allows for better simmering performance at the lowest possible stabilized setting. When simmering, turn the burner valve knob down until you reach the optimum lowest burner flame setting to maintain the desired simmer point.

Manual Griddle

Pre-heat the griddle top for approximately 15 - 20 minutes before cooking. The top can be kept hot with burners turned partially down. During off periods, turn the burners down or heat using only one burner. NOTE: Leaving burners at a high setting without a load for long periods of time may lead to undesired plate appearance.

Thermostatic Griddle

Pre-heat the griddle top for approximately 15 - 20 minutes before cooking. The griddle thermostats regulate temperatures for each 12" section of the griddle from a low setting at approximately 200°F (93°C) to high setting at approximately 550°F (288°C).

Standard Oven Cooking

Allow time to preheat ovens before using (25 minutes to 400°F [204°C]). The oven thermostat regulates temperature from a low setting at approximately 250°F (121°C) to high setting at approximately 500°F (260°C). If properly used, the automatic temperature control is an efficient system. Turn thermostat down to LOW when oven is idling, or turn the oven control to OFF when not in use.

Convection Oven Cooking

Cooking time and temperature in convection oven may vary slightly from normal time and temperature.

LOADING AND UNLOADING THE OVEN

NOTE: It is the operator's responsibility to protect skin surfaces before accessing the oven. Open the door and load the oven as quickly as practical to conserve heat. Take care to avoid spilling liquids while loading. Close the door and refer to recipe for cooking time.

Provide adequate space for product unloading. Rapid unloading will conserve heat and ensure proper reheating conditions for the next load, if applicable.

CLEANING

⚠ WARNING Disconnect the electrical power to the machine and follow Lockout / Tagout procedures.

⚠ WARNING Shut off the gas before cleaning the appliance.

⚠ WARNING The appliance and its parts are hot. Be very careful when operating, cleaning, or servicing the appliance.

Exterior surfaces may be cleaned using soft cloth and mild detergent. Do not use highly chlorinated or alkaline detergents to clean the exterior or interior components of the range, as these types of solutions can lead to early degradation of the component.

Do not use scouring powder. It is extremely difficult to remove completely. It can build up accumulations that will damage the oven.

Vulcan / Wolf equipment is strongly constructed and is designed to give you long, satisfactory service at low cost, provided you give it proper care. Frequent cleaning and occasional adjusting should reward you with low operating and maintenance costs and faster, better service.

DAILY CLEANING

Open Top

Clean cast iron open top grates with a mild soap and water solution. Rinse thoroughly and dry with a clean, water-absorbent towel. Immediately after drying (with grates still removed from the range top), season grates lightly with liquid vegetable or spray-type cooking oil.

After seasoning, replace grates onto the range. Turn on all open top sections to LOW and allow them to burn for at least 15 minutes before using pots or pans on the range top. Season the open top grates after each cleaning. Failure to season grates will cause grates to rust.

Griddle Top

Clean the griddle regularly. A clean griddle looks better, lasts longer and performs better. To produce evenly cooked griddle products, keep the griddle plate clean and free of carbonized grease. Carbonized grease on the surface hinders the transfer of heat from the griddle surface to the food, resulting in spotty browning and loss of cooking efficiency. Carbonized grease tends to cling to griddle foods, giving them a highly unsatisfactory and unappetizing appearance.

After each use, clean the griddle with a scouring pad or flexible spatula.

Once a day, thoroughly clean the griddle back splash, sides and front.

Griddle Grease Can

Empty grease can as needed throughout the day and regularly clean **at least once daily**. The grease can has a weep hole to indicate that grease tray is full. Remove, empty and wash grease can in the same manner as an ordinary cooking utensil.

In addition to grease can cleaning, inspect and clean grease can cavity weekly, or as needed. Once the unit is cool, use an appropriate brush, towel, or cleaning device to ensure all visible surfaces are wiped clean and that any buildup is removed from the cavity. This includes the cavity top and around the griddle chute.

Service calls resulting from failure to properly empty the grease can or from maintaining a clean grease can cavity will not be covered under warranty.

Oven

Remove chrome-plated racks and clean in a sink.

While still warm, wipe top with a soft cloth or other grease absorbing material to remove spillovers, grease, etc., before they burn in.

Clean oven and oven door daily, especially if fruit pies or tomato sauces were baked, meats roasted, and if there have been spillovers.

After processing some foods at low temperatures, odors may linger in the oven. These odors may be cleared by setting the thermostat at 500°F (260°C) and allowing the oven to operate unloaded for 30 to 45 minutes.

EXTERIOR CLEANING

Daily

Clean exterior finish with a mild solution of soap or grease-dissolving cleaner. To remove discoloration, use a nonabrasive cleaner. Always rub with the grain of the metal. Stainless steel areas of the range can be polished by using a soft dry cloth. If needed, add stainless steel polish to the soft cloth.

STAINLESS STEEL

Here are a few simple cleaning procedures that have been found effective for keeping stainless steel equipment clean, sparkling and bright.

General Cleaning

Use ordinary soap or detergent and water for routine cleaning of stainless steel. To prevent water spots and streaks, rinse thoroughly with warm water and wipe dry with a soft clean cloth. The addition of a rinsing agent will also help prevent spotting. Do not pressure wash any portion of the range.

Fingerprints

Fingerprints are sometimes a problem on highly polished surfaces of stainless steel. They can be minimized by applying a cleaner that will leave a thin oily or waxy film. To use these cleaners, simply wipe on and remove excess with a soft dry cloth. After using, subsequent fingerprints will usually disappear when wiped lightly with a soft cloth or with a cloth containing a little of the cleaner. If the surface is especially dirty to start, wash first with soap or detergent and water.

Heat Tint

Straw-colored or slightly darkened areas may appear on stainless steel in and around ovens and ranges where temperatures reach 500°F (260°C) or more. This "heat tint" is caused by a slight oxidation of the stainless steel and is not harmful. To control or minimize this condition, never use more heat than is absolutely necessary.

MAINTENANCE & ADJUSTMENTS

⚠ WARNING Disconnect the electrical power to the machine and follow Lockout / Tagout procedures.

LUBRICATION

All moving parts must be checked for wear and lubricated. Contact your local authorized servicer. Motors in Vulcan Endurance / Wolf Challenger convection ranges are permanently lubricated and require no additional maintenance.

FLUE

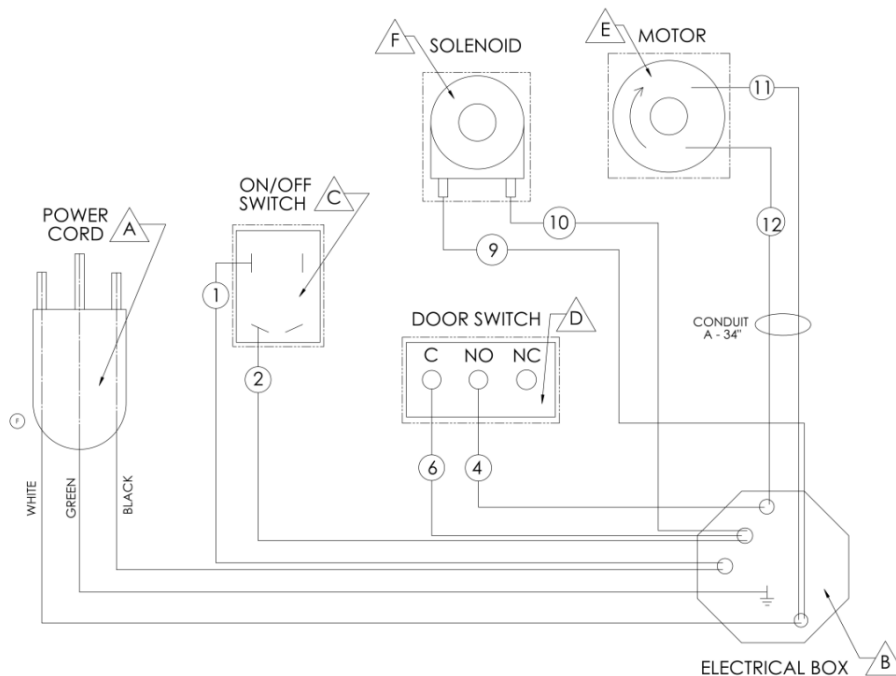
Check the flue when it is cool to be sure it is free of obstructions.

SERVICE AND PARTS INFORMATION

To obtain service and parts information, contact an authorized service agency in your area (refer to our website, www.vulcanequipment.com or www.wolfequipment.com for a complete listing of authorized service and parts depots). When calling for service, the following information must be available: model number, serial number, and gas type. This information can be found on the main data plate, located on the rear of the unit, or on the secondary plate located inside the lower front kick panel. Lift up and lower the front kick panel to view the secondary data plate.

PRECAUTIONS

When scraping off heavy deposits of grease or oil from stainless steel equipment, never use ordinary steel scrapers. Particles of ordinary steel may become embedded in, or lodge on, the surface of the stainless steel. These will rust, causing unsightly stains and possible contamination of food. If it is necessary to scrape, use stainless steel, wood, plastic or rubber tools.



**Convection Oven
Wiring Diagram
Ref. 921531**

TROUBLESHOOTING

OVEN

PROBLEM	CAUSES / CORRECTIONS
Uneven Baking Side to Side	Range not level side to side. Oven burner or bottom improperly installed. Wrong temperature setting for product. Warped pans. Flue not venting properly. Improper regulator setting. Contact service provider.
Uneven Baking Front to Rear	Range not level front to back. Door not closing properly. Flue not venting properly. Improper regulator setting. Contact service provider.
Too Much Top / Bottom Heat	Build-up on side liners obstructing vent holes. Flue not venting properly.
Dried Out Products	Too high temperature (Overcooking). Too long baking time. Thermostat calibration (Call for service).
Excessive Meat Shrinkage	Roasting Temperature too high. Not enough moisture (Add pan of water).
Pilot Outage	Call for service.

TOP BURNER OPERATION

PROBLEM	CAUSES / CORRECTIONS
Excessive Valve Handle Temperatures / Sticking Top Burner Valves	Verify that oven door is closed. If door is closed properly, call for service. Improper ventilation.
Poor Ignition	Call for service.
Pilot and Burners Will Not Light	Verify that main gas supply is turned on. Verify that burner assembly is properly installed. Verify that parts are clean. Call for service.

GRIDDLE GREASE

PROBLEM	CAUSES / CORRECTIONS
Grease Pooling / Emigration	Verify grease can is routinely emptied/cleaned. Verify grease can cavity is thoroughly cleaned. Remove/clean cavity liner, if installed, and all visible surfaces. Dislodge/remove debris from griddle chute and inside grease can cavity. <i>Debris buildup leads to continued spread of grease along all adjacent surfaces.</i>

NOTES

NOTES

DÉPANNAGE

FOUR

PROBLÈME	CAUSES / CORRECTIONS
Cuisson inégale d'un côté à l'autre	La cuisinière n'est pas de niveau d'un côté à l'autre. Le brûleur du four ou du fond n'est pas installé correctement. Le produit n'a pas été réglé à la bonne température. Des tôles déformées. La cheminée ne tire pas correctement. Mauvais réglage du régulateur. Contactez votre fournisseur de service.
Cuisson inégale de l'avant vers l'arrière	La cuisinière n'est pas de niveau de l'avant vers l'arrière. La porte ne ferme pas correctement. La cheminée ne tire pas correctement. Mauvais réglage du régulateur. Contactez votre fournisseur de service.
Trop de chaleur en haut ou en bas du four	Des accumulations sur les revêtements latéraux obstruent les orifices de ventilation. La cheminée ne tire pas correctement. Température trop basse (surcuisson). Temps de cuisson trop long. Étalonnage du thermostat (appelez le service de l'entretien).
Assèchement des produits	Température de rôtissage trop élevée. Pas assez d'humidité (Ajoutez un bac rempli d'eau). Appelez le service de l'entretien.
Réduction excessive de la viande pendant la cuisson	Appelez le service de l'entretien.
Vieillesse hors service	Appelez le service de l'entretien.

FONCTIONNEMENT DES BRÛLEURS DE LA SURFACE

PROBLÈME	CAUSES / CORRECTIONS
Chaleur excessive sur les boutons des robinets / Coincement des robinets de contrôle des brûleurs	Assurez-vous que la porte est fermée. Si la porte est bien fermée, appelez le service de l'entretien.
Mauvais allumage	Appelez le service de l'entretien.
Les vieillesse et les brûleurs ne s'allument pas	Vérifiez si l'alimentation du gaz est ouverte. Assurez-vous que les blocs brûleurs sont bien installés. Assurez-vous que les pièces sont propres. Appelez le service de l'entretien.

GRAISSE DES GRILS LISSES

PROBLÈME	CAUSES / CORRECTIONS
Accumulation de graisse / débordements	Vérifiez si le bac à graisse est vidé et nettoyé fréquemment. Vérifiez si la cavité du bac à graisse a été nettoyée à fond. Retirez/nettoyez la chemise de la cavité, si installée, et toutes les surfaces visibles. Détachez/reprenez les débris de la chute à graisse et de l'intérieur de la cavité du bac à graisse. L'accumulation de débris entraîne la prolifération de graisse le long de toutes les surfaces adjacentes.

⚠ AVERTISSEMENT Coupez l'alimentation électrique de l'appareil et observez les procédures de verrouillage & d'étiquetage.

ENTRETIEN & RÉGLAGES

LUBRIFICATION

L'usure des pièces mobiles doit être contrôlée et celles-ci doivent être lubrifiées. Contactez le service de l'entretien autorisé de votre localité. Le moteur des cuisinières à convection Endurance de Vulcan et Challenger de Wolf sont lubrifiés de façon permanente et n'exigent pas d'entretien supplémentaire.

CHEMINÉE

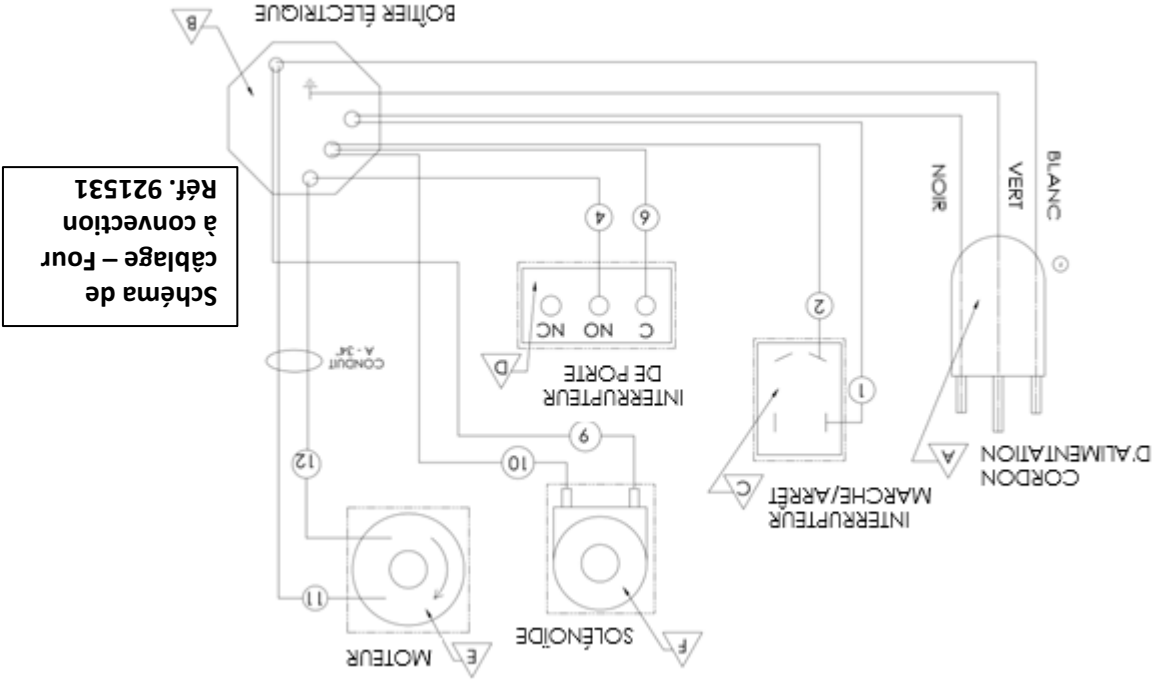
Vérifiez la cheminée lorsque qu'elle s'est refroidie pour vous assurer qu'elle est libre de toute obstruction.

SERVICE D'ENTRETIEN ET PIÈCES DE REMPLACEMENT

Pour obtenir de l'information sur le service technique et sur les pièces de rechange, contactez une agence de service autorisée dans votre région (voyez notre site web www.vulcanequipment.com ou www.wolfequipment.com pour consulter une liste complète des dépôts de service et de pièces autorisés). Lorsque vous appelez pour une intervention de service, ayez en main les renseignements suivants : le numéro de modèle et de série ainsi que le type de gaz. Cette information se trouve sur la plaque signalétique principale fixée à l'arrière de l'appareil, ou sur la plaque secondaire située à l'intérieur du panneau coup de pied inférieur avant. Soulevez et abaissez le panneau coup de pied pour voir la plaque signalétique secondaire.

PRÉCAUTIONS

Lorsque vous retirez d'importants dépôts de graisse ou d'huile d'un équipement en acier inox, ne vous servez jamais de grattoirs en acier ordinaire. Des particules d'acier ordinaire peuvent s'encrasser dans l'acier inox ou se loger sur sa surface. Ces particules vont rouiller et seront cause de taches disgracieuses et viendront possiblement contaminer les aliments. S'il devient nécessaire de gratter, utilisez des outils en acier inox, en bois, en plastique ou en caoutchouc.



Schema de câblage – Four Réf. 921531 à convection

Les interventions de service rendues nécessaires du fait de ne pas vidanger le bac à graisse correctement ou de ne pas maintenir une cavité propre ne seront pas couvertes par la garantie.

Four

Retirez les grilles plaquées chrome et nettoyez-les à l'évier.

Pendant qu'il est encore chaud, essuyez le fond du four avec un chiffon doux ou un autre matériau absorbant la graisse pour y retirer les débordements, la graisse, etc., avant qu'ils ne cuisent et y adhèrent. Nettoyez le four et la porte quotidiennement, et tout spécialement si des tartes aux fruits ou des sauces aux tomates y ont été cuites, ou si des viandes y ont été rôties, et s'il y a eu des débordements.

Après y avoir cuit certains aliments à basse température, des odeurs peuvent persister dans le four. Ces odeurs peuvent être éliminées en réglant le thermostat à 500°F (260°C) et en laissant chauffer le four à vide pendant 30 à 45 minutes.

NETTOYAGE DE L'EXTÉRIEUR

Quotidiennement

Nettoyez le revêtement extérieur avec une solution savonneuse douce ou un nettoyeur pour dissoudre les graisses. Pour enlever la décoloration, servez-vous d'un nettoyeur non abrasif. Frottez toujours dans le sens des fibres du métal. Les parties de la cuisinière en acier inox peuvent être polies avec un chiffon doux et sec. Si nécessaire, enduisez le chiffon doux d'un poli formulé pour l'inox.

L'ACIER INOXYDABLE

Voici quelques exemples de façons de nettoyer efficacement pour conserver à l'équipement en acier inox son aspect propre, étincelant et lustré.

Nettoyage général

Utilisez du savon ou du détergent ordinaire mélangé à l'eau pour le nettoyage routinier de l'acier inox. Pour la prévention des marques d'eau ou des stries, rincez à fond avec de l'eau chaude et essuyez bien avec un chiffon doux propre. L'ajout d'un agent de rinçage aidera également à prévenir les taches. Ne nettoyez aucune partie de la cuisinière avec une lavuse à pression.

Les marques de doigts

Les marques de doigts font parfois problème sur les surfaces d'inox hautement polies. Elles peuvent être minimisées en appliquant un nettoyeur qui laissera une mince pellicule huileuse ou cirreuse. Pour utiliser ces nettoyeurs, étendez-les tout simplement et essuyez-en les excès à l'aide d'un chiffon sec et propre. À l'usage, les marques de doigts subséquentes disparaîtront généralement lorsqu'essuyées légèrement avec un lingé doux ou un chiffon enduit d'un peu de nettoyeur. Si la surface est particulièrement sale, commencez d'abord par la laver avec du savon ou du détergent et de l'eau.

Coloration de recuit

Des zones de couleur paille ou légèrement noircies peuvent apparaître sur l'acier inox des fours et des cuisinières qui fonctionnent à des températures pouvant atteindre 500°F (260°C) ou plus. Cette « coloration de recuit » est causée par une légère oxydation de l'acier inox et n'est pas dommageable. Pour contrôler ou minimiser cette condition, n'utilisez pas plus de chaleur que celle absolument nécessaire.

En plus du nettoyage du bac à graisse, inspectez et nettoyez la cavité du bac à graisse à chaque semaine ou au besoin. Une fois l'appareil refroidi, servez-vous d'une brosse, d'une serviette ou de tout autre outil de nettoyage pour vous assurer que toutes les surfaces visibles aient été bien nettoyées et que toute accumulation ait été retirée de la cavité. Ceci comprend le dessus de la cavité et autour de la chute sur le grill.

Vidangez le bac à graisse au cours de la journée et nettoyez-le régulièrement, **au moins une fois par jour**. Le bac à graisse est doté d'un orifice d'écoulement indiquant qu'il est plein. Retirez, vidangez et lavez le tiroir à graisse de la même manière que vous le feriez avec un ustensile de cuisine ordinaire.

Bac à graisse des grills lisses

Une fois par jour, nettoyez le dossier arrière, les côtés et le devant du grill à fond.

Après chaque utilisation, nettoyez le grill à l'aide d'un tampon à récurer ou d'une spatule flexible.

Nettoyez le grill lisse régulièrement. Un grill propre parait mieux, dure plus longtemps et travaille mieux. Pour produire des aliments cuits sur le grill uniformément, gardez la plaque du grill propre et libre de graisse carbonisée. Des graisses carbonisées sur la surface du grill empêchent le transfert de la chaleur de la plaque aux aliments, avec pour résultat des brunissements inégaux et une perte d'efficacité de cuisson. La graisse carbonisée a tendance à rester attachée aux aliments cuits sur un grill lisse, ce qui leur donne une apparence hautement insatisfaisante et peu appétissante.

Grill lisse

Après le rodage, remettez les grilles sur la cuisinière. Allumez tous les feux au réglage BAS et laissez-les brûler pendant au moins 15 minutes avant de poser des marmites ou des poêles sur la surface de cuisson. Rodez les grilles des feux nus après chaque nettoyage. Sans rodage, les grilles vont rouiller.

Nettoyez les grilles en fonte des feux à l'aide d'une solution d'eau chaude et de savon doux. Rincez abondamment et asséchez avec une serviette hydrophile propre. Tout de suite après le séchage (les grilles encore retirées de la surface de cuisson), enduire légèrement les grilles d'huile de cuisson végétale ordinaire ou en vaporisateur.

Feux nus

NETTOYAGE QUOTIDIEN

N'utilisez pas de poudre à récurer. Il est très difficile de l'enlever complètement. Il peut se produire des accumulations qui vont endommager le four.

L'équipement de Vulcan et de Wolf est construit solidement et est conçu pour vous donner de longs et satisfaisants services à coûts peu élevés pourvu que vous en preniez bien soin. Des nettoyages fréquents et des réglages périodiques devraient vous être profitables à cause de frais de fonctionnement et d'entretien faibles, tout en vous assurant un service plus rapide et meilleur.

N'utilisez pas de poudre à récurer. Il est très difficile de l'enlever complètement. Il peut se produire des accumulations qui vont endommager le four.

Les surfaces extérieures peuvent être nettoyées à l'aide d'un chiffon souple et d'un détergent doux. Ne pas utiliser de détergents à haute teneur en chlore ou alcalins pour nettoyer les composants extérieurs ou intérieurs de la cuisinière car ces types de nettoyeurs peuvent entraîner la dégradation précoce de ces composants.

⚠ AVERTISSEMENT L'appareil et ses composants sont chauds. Soyez très prudent lors du fonctionnement, du nettoyage ou de l'entretien de l'appareil.

⚠ AVERTISSEMENT Avant le nettoyage de l'appareil, fermez le gaz.

⚠ AVERTISSEMENT Coupez l'alimentation électrique de l'appareil et observez les procédures de verrouillage et d'étiquetage.

NETTOYAGE

FERMETURE

Tous les brûleurs sont dotés de veilleuses permanentes qui demeurent allumées quand les robinets de commande sont mis à l'ARRÊT. Il faudra également mettre l'interrupteur du ventilateur en position d'ARRÊT sur les fours à convection.

Pour une fermeture complète de la cuisinière et pour éteindre toutes les veilleuses, mettez le robinet principal d'alimentation du gaz à l'arrêt.

SUGGESTIONS DE FONCTIONNEMENT

Surface de cuisson à feux nus

Les brûleurs des feux nus s'allument rapidement et n'exigent pas de temps de chauffe. Ils ont une large plage de réglages de la flamme qui va de faible à intense. Cela permet de meilleures performances de mijotage au plus bas réglage stable possible. Pour maintenir le point de mijotage désiré, baissez le bouton du robinet jusqu'à ce que vous obteniez le niveau optimal au plus bas réglage de flamme.

Gril lisse manuel

Faites chauffer la surface du gril pendant environ 15 à 20 minutes avant la cuisson. La surface de cuisson peut demeurer chaude en abaissant partiellement l'intensité des brûleurs. Pendant les périodes creuses, fermez les brûleurs ou ne faites chauffer qu'un seul brûleur. REMARQUE : si on laisse chauffer les brûleurs à haute intensité pendant de longues périodes sans cuisson, la plaque pourrait prendre des teintes indésirables.

Gril lisse thermostatique

Faites chauffer la surface du gril pendant environ 15 à 20 minutes avant la cuisson. Les thermostats du gril réglent les températures de chaque section de 12 po (305 mm) en partant d'un réglage bas à environ 200°F (93°C) pour aller vers un réglage intense à environ 550°F (288°C).

Cuisson au four standard

Donnez du temps au four de se réchauffer avant de l'utiliser [25 minutes à 400°F (204°C)]. Le thermostat du four régule la température à partir d'un réglage faible à environ 250°F (121°C) jusqu'à un réglage intense d'environ 500°F (260°C). S'il est utilisé correctement, le contrôle automatique de la température est un système efficace. En période creuse, mettez le thermostat en position BASSE, ou mettez la commande du four à l'ARRÊT quand il n'est pas en service.

Cuisson au four à convection

Le temps et les températures de cuisson des fours à convection peuvent varier légèrement des temps et des températures normaux.

ENFOURNEMENT ET DÉCHARGEMENT

REMARQUE : l'opérateur est responsable de protéger les surfaces de l'épiderme avant d'ouvrir le four. Ouvrez la porte et chargez le four aussi vite que possible pour conserver la chaleur. Prenez soin de ne pas renverser de liquides pendant le chargement. Fermez la porte et consultez la recette pour le temps de cuisson.

Allouez suffisamment d'espace pour le déchargement des produits. Un déchargement rapide conservera la chaleur et assurera de bonnes conditions de réchauffage pour le prochain entournement s'il y a lieu.

11. Pour éteindre complètement la veilleuse, il faut fermer le robinet principal d'arrivée du gaz.
la position d'ARRÊT. La veilleuse restera allumée.
 - Four à convection : Faire tourner le cadran de commande ET l'interrupteur de la ventilation à restera allumée.
 - Four standard : Faire tourner le cadran de commande à la position d'ARRÊT. La veilleuse
10. Pour éteindre le four :

NE TENTEZ PAS de rallumer la veilleuse sans patienter pendant 5 minutes.

- Mettre le cadran de commande du four à la température désirée et s'assurer qu'il fonctionne. Si l'allumage échoue, mettez l'interrupteur du ventilateur et le bouton de commande du four en position d'ARRÊT. Patientez 5 minutes et répétez la procédure ci-dessus.
- Four standard : Mettre le cadran de commande du four à la température désirée et s'assurer qu'il fonctionne. Si l'allumage échoue, mettez le bouton de commande du four en position d'ARRÊT. Patientez 5 minutes et répétez la procédure ci-dessus.
 - Four à convection : Allumez l'interrupteur du ventilateur situé entre le bouton de commande du four et la soupape de sécurité de la veilleuse. Cet interrupteur doit être mis en MARCHÉ car autrement, le four ne marchera pas.
- Mettre le cadran de commande du four à la température désirée et s'assurer qu'il fonctionne. Si l'allumage échoue, mettez l'interrupteur du ventilateur et le bouton de commande du four en position d'ARRÊT. Patientez 5 minutes et répétez la procédure ci-dessus.
9. Pour mettre le four en marche :
 8. Remplacez le panneau coup de pied à sa position originale.
 7. La flamme de la veilleuse devrait être assez haute pour chauffer le thermocouple.
 6. Après avoir relâché le bouton, la veilleuse devrait rester allumée.
 5. Retenez le bouton rouge pendant au moins 30 secondes.
 4. Entoncez le bouton rouge de la soupape de sécurité et allumez la veilleuse par l'ouverture dans la zone de la boîte du brûleur. REMARQUE : si les fours sont équipés d'un allumeur rotatif piézoélectrique, on peut faire tourner le cadran rotatif pour créer une étincelle d'allumage.
 3. Soulevez le panneau coup de pied et faites-le pivoter de 90° vers le bas.
 2. Ouvrez le robinet principal d'alimentation du gaz en position de MARCHÉ.
 1. Mettez le thermostat en position d'ARRÊT.

Four (standard & à convection)

6. Pour éteindre complètement la veilleuse, il faut mettre le robinet principal d'arrivée du gaz à l'ARRÊT.
5. Mettez le robinet des brûleurs à l'ARRÊT. La veilleuse reste allumée.
4. Si les brûleurs ne s'allument pas, fermez tous les robinets et appelez une personne autorisée pour l'installation et l'entretien.
3. Tournez la soupape du brûleur en position de MARCHÉ pour commencer à travailler.
au fond du côté gauche du brûleur du grill lisse/grilloir.
2. Allumez toutes les veilleuses permanentes.
L'accès à la veilleuse se fait en dessous du grill par l'ouverture du grilloir. La veilleuse est située
1. Ouvrez le robinet principal d'alimentation du gaz en position de MARCHÉ.

Grill lisse/Grilloir

7. Pour éteindre complètement la veilleuse, il faut mettre le robinet principal d'arrivée du gaz à l'ARRÊT.
6. Mettez le robinet des brûleurs à l'ARRÊT. La veilleuse reste allumée.
5. Si les brûleurs ne s'allument pas, fermez tous les robinets et appelez une personne autorisée pour l'installation et l'entretien.
4. Tournez le robinet du brûleur en position de MARCHÉ pour commencer à travailler.



3. Poussez et retenez le bouton de la soupape de sécurité et allumez la veilleuse, soit de façon conventionnelle ou en utilisant l'allumeur piézoélectrique. Répétez ceci pour chacune des soupapes de sécurité. Le fonctionnement de l'allumeur piézoélectrique est illustré ci-dessous.
2. Ouvrez le robinet principal d'alimentation en position de MARCHÉ.
1. Retirez la première rangée de grilles (surfaces à feux nus seulement).

Brûleurs à feux nus (Modèle à sécurité de la flamme)

7. Pour éteindre complètement la veilleuse, il faut mettre le robinet principal d'arrivée du gaz à l'ARRÊT.
6. Mettez le robinet des brûleurs à l'ARRÊT pour éteindre le brûleur. La veilleuse restera allumée.
5. Si les brûleurs ne s'allument pas, fermez tous les robinets et appelez une personne autorisée pour l'installation et l'entretien.
4. Tournez le robinet du brûleur en position de MARCHÉ pour commencer à travailler.

Grilles lisses – L'accès aux veilleuses se trouve sous la plaque du grill à travers la fente d'ouverture sur le couvercle du manifold près du bouton du robinet du brûleur.

Feux nus – l'accès aux veilleuses se trouve sous les grilles.

3. Allumez toutes les veilleuses permanentes.
2. OUVREZ le robinet principal d'arrivée du gaz.
1. Retirez la première rangée de grilles (feux nus seulement).

de la flamme)

Surface de cuisson à feux nus, et à grill lisse (voir la section suivante pour les modèles à sécurité

de la flamme). Un allumeur manuel piézoélectrique peut être livré.
La surveillance sécuritaire des veilleuses est une caractéristique de série sur tous les fours et est offerte en option sur les appareils à feux nus et les grilles lisses (modèles équipés de la sécurité

Tous les agencements de brûleurs sont équipés de veilleuses permanentes permettant l'usage ALLUMAGE DES VEILLEUSES ET CONTRÔLE DU FONCTIONNEMENT DES BRÛLEURS des appareils et ne nécessitant que peu d'entretien. Les allumages devraient être peu fréquents, sauf lors de la mise en marche initiale ou lors de la fermeture totale des appareils.

ALLUMAGE DES VEILLEUSES ET CONTRÔLE DU FONCTIONNEMENT DES BRÛLEURS

Avant sa première utilisation et après chaque nettoyage, préparez le grill lisse pour éviter la corrosion possible de sa surface. Chauffez le grill à basse température [300-350°F (150-175°C)] et enduisez-le d'une mince couche d'huile de cuisson – environ une once d'huile par pied carré de surface (0,09 m²). Servez-vous d'un chiffon non-pelucheux pour étendre l'huile sur toute la surface du grill pour y créer une mince couche. Essuyez tout excès d'huile avec un linge. Répétez cette procédure jusqu'à ce que le grill ait une surface lisse et brillante comme un miroir.

La plaque est en acier, mais sa surface est molle et peut être marquée ou ébréchée par l'usage négligent des spatules ou des grattoirs. Faites attention de ne pas ébrécher, égratigner ou rainer la plaque. Ne tentez pas de faire partir les aliments qui peuvent être collés sur une spatule en cognant le coin de la spatule sur la surface du grill lisse.

ATTENTION

Avant de quitter l'usine, le grill est enduit d'huile alimentaire qui sert d'antirouille. Retirez ce film lorsque vous nettoyez la plaque lisse du grill avant de l'utiliser pour la première cuisson. Chauffez le grill entre 200 et 300°F (93-149°C) pour détacher et faire fondre la couche d'huile et ensuite, nettoyez la surface avec un nettoyant commercial de dissolution des graisses non corrosif, en observant les directives du fabricant. Rincez abondamment et asséchez la surface avec un chiffon doux propre. Nettoyez tous les accessoires.

Grills lisses

pendant 30 à 45 minutes.

Allumez le gaz et réglez le thermostat à 475°F (246°C). Laissez fonctionner le four à cette température

pénètrent dans la nourriture.

Les nouveaux fours exigent une période de brûlage pour les roder et éviter que des odeurs désagréables

Fours

couleur de la fonte.

poils en métal ou raidés, suivi d'un séchage immédiat avant le prochain rodage aideront à préserver la disparaitra si des rodages appropriés ont été faits. Le nettoyage de la grille avec de l'eau et une brosse à démarrage initial, il se peut que les grilles se colorent en blanc. Après un certain temps, cette couleur casseroles sur le dessus de la cuisinière. Si les grilles ne sont pas préparées, elles rouilleront. Lors du BAS (LOW) et laissez-les brûler pendant au moins 15 minutes avant de poser des marmites ou des Après le rodage, remettez les grilles sur la cuisinière. Ouvrez toutes les sections de feux nus au réglage d'huile végétale liquide ou une huile de cuisson à vaporiser sur chacune des grilles (processus de rodage).

Retirez les grilles supérieures de la surface pour effectuer le rodage initial. Ne rodez pas les grilles quand elles sont en place sur la surface de cuisson. Une fois retirées de la cuisinière, appliquez une mince couche

Feux nus

AVANT LA PREMIÈRE UTILISATION

allumé. Il n'est pas possible de faire fonctionner un four à convection si le ventilateur est à l'arrêt. Le ventilateur se met en marche à la fermeture de la porte. Il est toujours en marche quand le four est **Interrupteur du ventilateur** – Met le ventilateur en marche et à l'arrêt (fours à convection seulement).

brûleurs principaux.

veilleuse. Si la veilleuse s'éteint, la soupape de sécurité coupera l'arrivée du gaz à la veilleuse et aux d'une veilleuse permanente qui est surveillée par un thermocouple et une soupape de sécurité de la comportant une surface de grill lisse et de feux nus (les modèles à surveillance de la flamme) sont dotés **Soupape de sûreté** – Elle surveille la veilleuse permanente. Tous les fours, et certains dispositifs

Thermostat du four – Pour régler la température du four. La plage de températures du thermostat va de BAS à environ 250°F (121°C), jusqu'à HAUT à environ 500°F (260°C). Faites tourner le thermostat dans le sens antihoraire pour augmenter la température et dans le sens horaire pour la diminuer. La précision de la régulation de la température du four est à son meilleur entre 300°F (149°C) et 500°F (260°C).

Thermostat d'un grill lisse – Sert à régler la température du grill lisse. La plage de températures du thermostat va de BAS à environ 200°F (93°C), jusqu'à HAUT à environ 550°F (288°C). Faites tourner le thermostat dans le sens horaire pour augmenter la température et dans le sens antihoraire pour la diminuer.

Robinet manuel d'un grill lisse – Fait passer le gaz aux brûleurs du grill lisse. Pour ouvrir le robinet, tournez le bouton dans le sens antihoraire. Pour le refermer, tournez le bouton dans le sens horaire.

Robinet des brûleurs à feux vifs – Permet au gaz de passer aux brûleurs de surface. Pour ouvrir le robinet, faites tourner le bouton dans le sens antihoraire. Pour le fermer, faites-le tourner dans le sens horaire.

COMMANDES

⚠ AVERTISSEMENT L'appareil et ses composants sont chauds. Soyez prudent lors du fonctionnement, du nettoyage ou de l'entretien de cet appareil.

LA MISE EN MARCHÉ INITIALE ET LES RÉGLAGES SUR LES LIEUX DE L'ÉQUIPEMENT DÉCRIT DANS CE MANUEL DEVIENNT ÊTRE FAITS PAR DU PERSONNEL QUALIFIÉ.

FONCTIONNEMENT

L'appareil. La cuisinière à convection est conçue pour être alimentée à une tension de 120 volts et est dotée d'un cordon d'alimentation électrique flexible et d'une fiche qui doit être branchée dans une prise appropriée. Ne branchez pas la cuisinière à convection à l'alimentation électrique avant d'avoir terminé les raccordements du gaz. Le schéma de câblage de la cuisinière à convection se trouve à l'arrière de l'appareil.

⚠ AVERTISSEMENT Les appareils équipés d'un cordon d'alimentation électrique flexible sont pourvus d'une fiche de mise à la terre à trois branches. Il est impératif de raccorder cette fiche à une prise à trois branches correctement mise à la terre. Si la prise n'est pas correctement mise à la terre, faites appel à un électricien. Ne retirez pas la branche de mise à la terre de cette fiche.

⚠ AVERTISSEMENT Débranchez l'alimentation électrique de l'appareil et observez les procédures de verrouillage et d'étiquetage.

⚠ AVERTISSEMENT Les connexions électriques et de mise à la terre doivent être conformes aux portions applicables du Code national électrique et/ou des autres codes électriques locaux.

CONNEXIONS ÉLECTRIQUES

Si les pressions du test dépassent ½ psi (3,45 kPa), la cuisinière et son robinet de fermeture individuel doivent être débranchés du système de conduites d'alimentation en gaz. Si la lecture des pressions du test est de ½ psi (3,45 kPa) et moins, la cuisinière doit être isolée du système d'alimentation en gaz en fermant son robinet d'arrêt manuel.

MISE À L'ESSAI DU SYSTÈME D'ALIMENTATION EN GAZ

Lorsque les fuites dans les conduites ont été contrôlées, toute la tuyauterie d'alimentation du gaz devrait être totalement purgée pour en retirer l'air.

flamme nue.

AVANT D'ALLUMER LE GAZ, VÉRIFIEZ TOUTS LES JOINTS DANS LA CONDUITE D'ARRIVÉE POUR Y DÉTECTER DES FUITES. UTILISEZ UNE SOLUTION DE SAVON ET D'EAU. NE VOUS SERVEZ PAS D'UNE

AVERTISSEMENT

doivent être capables de résister à l'action des gaz propane.

Tous les raccords d'approvisionnement en gaz et toute pâte à joints utilisée

ATTENTION

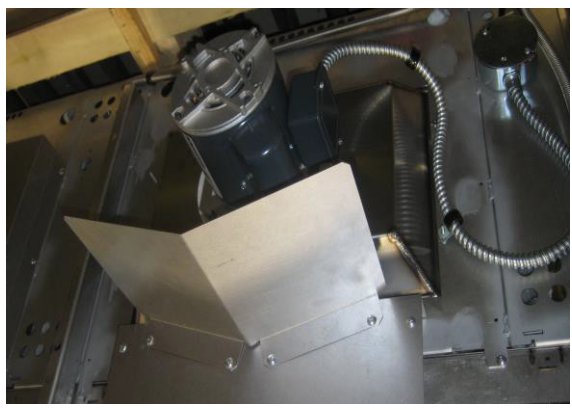
RACCORDEMENT DU GAZ

1. Consultez le Guide de références traitant de la plomberie sur les lieux des cuisinières modulaires (n°/p 921861 ou 960167) livré en même temps que le régulateur et les raccords pour les cuisinières de 48, 60 et 72 po (1220, 1524 et 1829 mm).
 2. Appliquez de la pâte à joints résistant aux gaz propane sur le filetage des tuyaux.
 3. Pour les cuisinières de 12, 24 et 36 po (305, 610 et 915 mm), vissez le réducteur, le mamelon de tube et le régulateur sur la conduite en pointant la flèche de direction du flux du régulateur vers l'arrière de l'appareil et en plaçant le dispositif de réglage du régulateur en position verticale.
 4. Pour assurer une pression de sortie pré réglée adéquate, le régulateur de pression doit être monté à l'horizontale. Un limiteur de fuites est fourni avec chaque régulateur pour permettre l'échappement de la surpression de gaz. N'obstruez pas le limiteur ni le régulateur de gaz car toute obstruction pourrait entraîner le dysfonctionnement du régulateur.
- Un régulateur de pression ainsi que des raccords de plomberie sont expédiés séparément. Ce régulateur doit être installé par du personnel technique autorisé avant la mise en service de l'appareil. Pour obtenir de l'information sur le réglage du régulateur de pression, consultez la plaque signalétique principale à l'arrière de la cuisinière, ou la plaque secondaire, rivée au panneau coup de pied. Si on utilise un manomètre en le raccordant à l'une des prises de pression du manifold, la pression de celui-ci, un brûleur allumé, devrait se situer à $\pm 0,3$ po C.E. (0,075 kPa) de la valeur indiquée sur la plaque signalétique.

PLOMBERIE

1. Sortez six briques de 5-1/4 x 2-1/4 po (133 x 57 mm) et six de 5-1/4 x 5-1/16 po (133 x 129 mm) de la boîte emballée dans l'enceinte du four.
2. Installez les briques de 5-1/4 x 2-1/4 po (133 x 57 mm) sur les côtés gauche et droit du grilloir en les insérant individuellement par l'ouverture frontale du grilloir. Mettez les briques en angle latéralement pour qu'elles se posent correctement entre les côtés du brûleur. Fixez les briques à plat en les faisant reposer sur le côté du grilloir et sur les bords du brûleur. Poussez chacune des briques aussi loin que possible à l'arrière du grilloir pour faire de la place à la dernière brique sans difficulté.
3. Installez les six dernières briques de 5-1/4 x 5-1/16 po (133 x 129) dans la section centrale tel que décrit à l'étape 2. Posez les briques sur les côtés du brûleur central seulement.

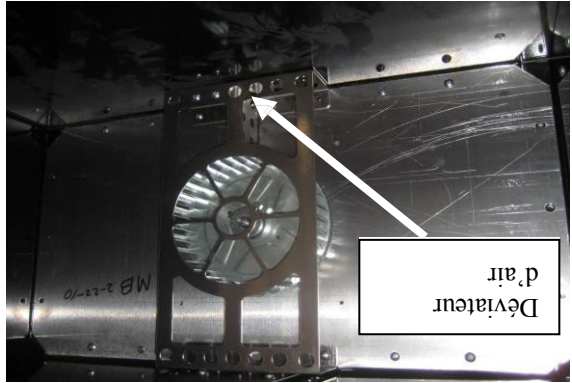
INSTALLATION DES BRIQUES DU GRIL LISSE/GRILLOIR (Modèles se terminant par GBN ou GBP)



6. Assemblez l'écran protecteur anti-graisse du moteur à partir de l'arrière de l'appareil avec 4 vis 10-24 x 1/2 po.



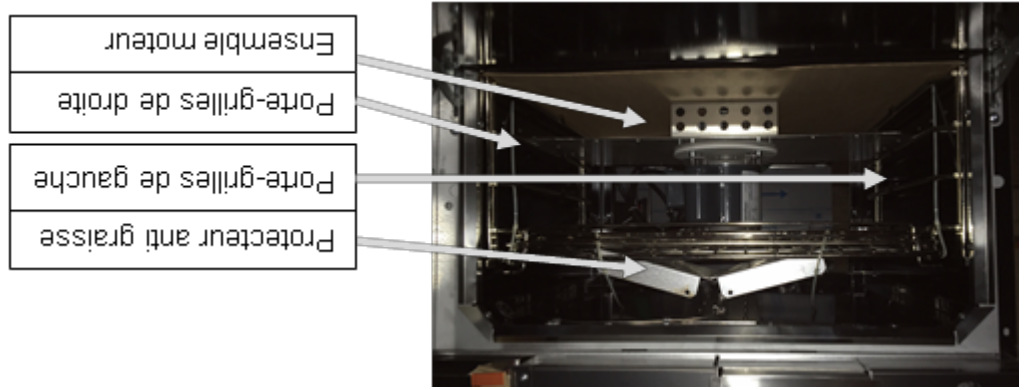
5. Assemblez les porte-grilles en insérant les deux languettes dans les fentes des parois latérales. Glissez les grilles dans le four.



4. Assurez-vous que le couvercle de la soufflerie soit installé de telle façon que le déviateur d'air soit positionné au bas du four. (Voir la photo ci-dessous).



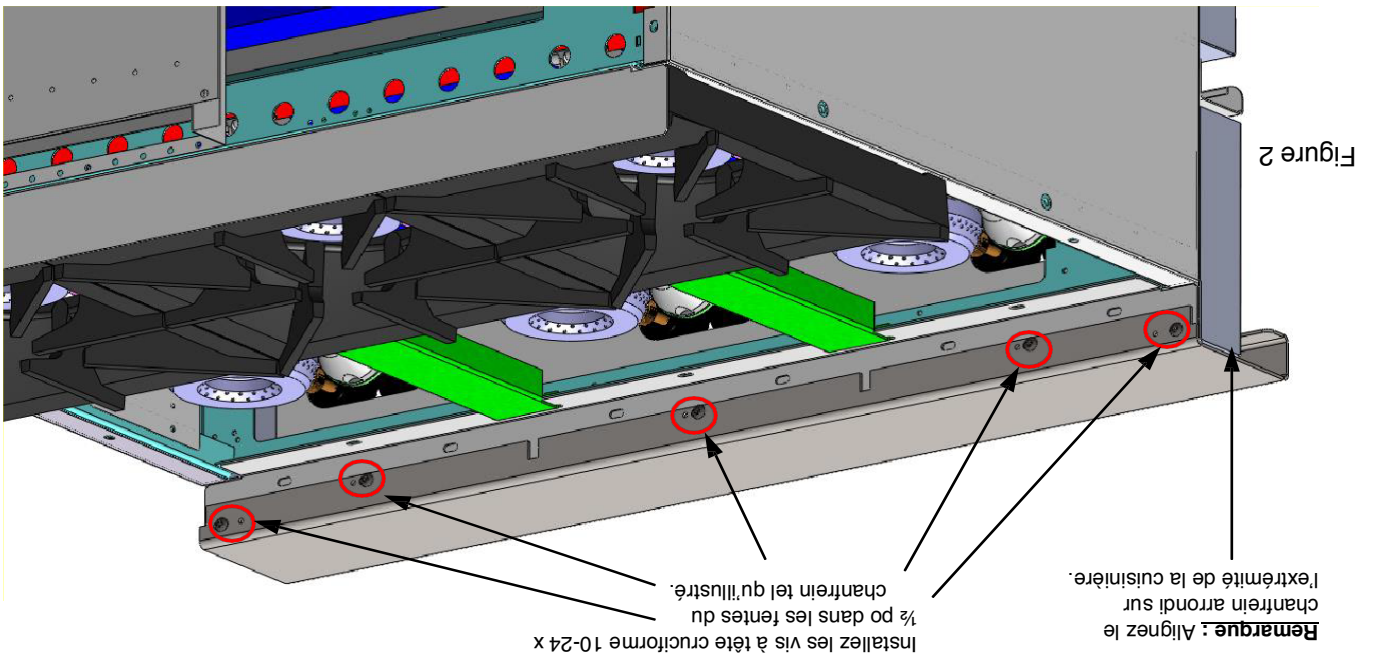
- Sortez le matériel d'emballage et l'écran protecteur anti-graisse du moteur de l'intérieur du four et glissez les porte-grilles vers l'extérieur. Placez le bloc moteur en position debout.
- Poussez le bloc moteur à l'arrière de l'enceinte du four en prenant soin de ne pas pincer le cordon d'alimentation ou le câblage électrique. Assemblez le bloc moteur **à partir de l'intérieur du four** et le couvercle de la soufflerie avec des vis cruciformes à tête de suif de 10-24 x ½ po livrées dans le sac de visserie.



- Retirez les grilles du four ainsi que la boîte contenant les pieds, le régulateur et les raccords de plomberie. Dans certains cas, ces pièces seront expédiées séparément dans une trousse de finition. Assurez-vous que vous avez en mains tous les composants illustrés ci-dessous.

INSTRUCTIONS POUR L'INSTALLATION DU BLOC MOTEUR

Remettez les grilles de fonte à leur position le long du côté avant de la cuisinière.

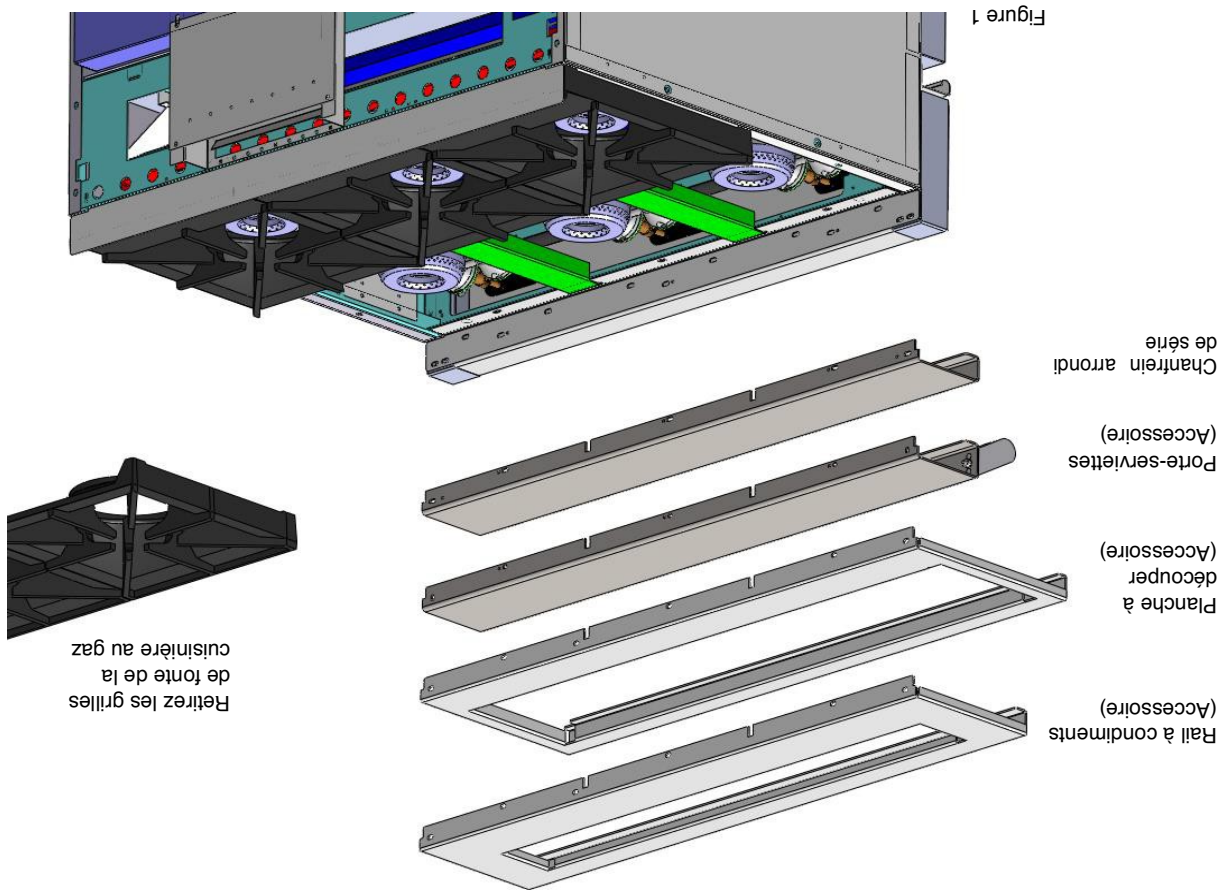


MISE DE NIVEAU

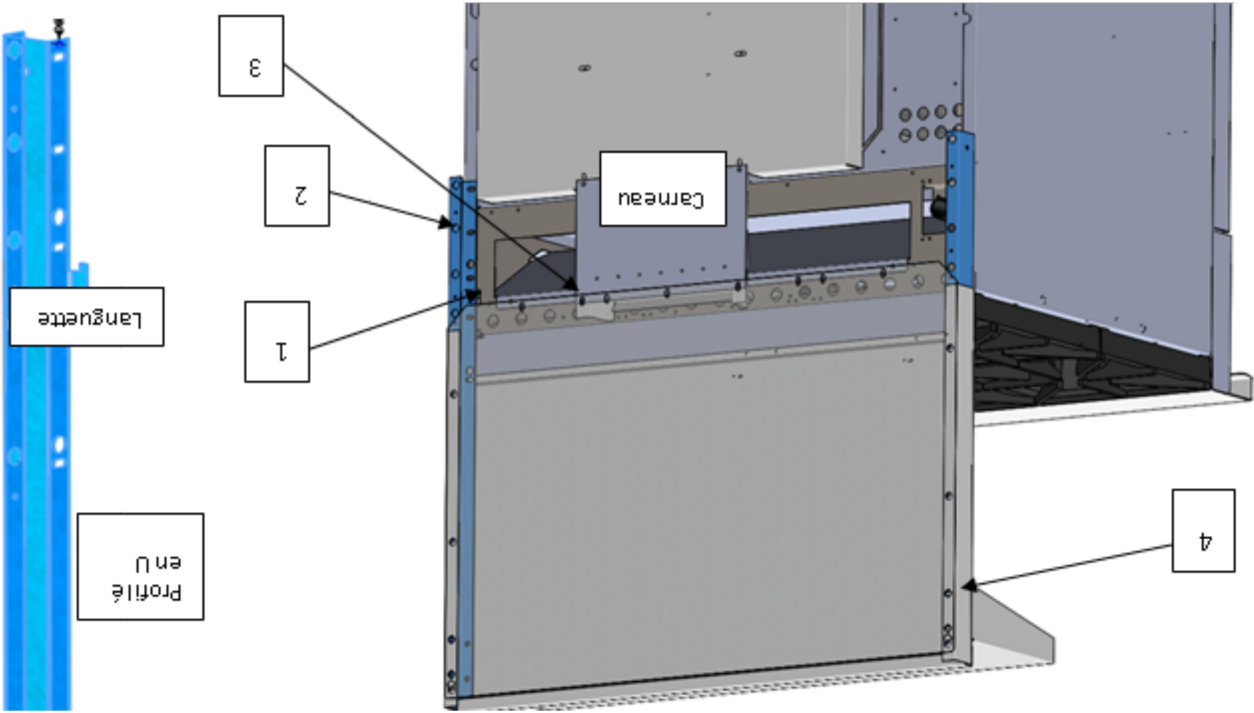
Pour mettre la cuisinière de niveau, posez un niveau de menuisier sur le dessus de la cuisinière et vérifiez le niveau de l'appareil d'un côté à l'autre, et de l'avant vers l'arrière. Réglez le niveau en tournant chaque section des pieds de l'appareil au besoin. Si un pied est tourné dans le sens anti horaire, la hauteur est augmentée alors qu'elle est diminuée si on tourne le pied dans le sens horaire.

INSTALLATION DU CHANFREIN AVANT ARRONDI

1. Retirez les grilles de fonte le long du rebord avant de la cuisinière.
2. Glissez le chanfrein arrondi sur le support de montage et alignez-le sur la cuisinière pour qu'il ne dépasse pas ni d'un côté ni de l'autre.
3. Commencez par une vis à l'une des extrémités de la cuisinière; ne la serrez pas jusqu'au bout.
4. Installez une autre vis de l'autre côté de la cuisinière, tel qu'illustré à la figure 2. Réglez l'alignement et serrez complètement la vis.
5. Installez les vis qui restent et serrez-les toutes solidement.



INSTALLATION DE LA CHEMINÉE ET DE L'ÉTAGÈRE



1. Enclenchez la languette des profilés en U dans les fentes à l'arrière du châssis (illustré) de sorte que le dossier glisse en place librement. Le devant du dossier s'accotera sur la plupart des agencements de grils lisses, mais non sur tous.

2. Installez les vis pour assujettir les profilés en U au châssis (4 vis par profilé). La taille de toutes les vis est de 10-24 x 1/2 po, sauf indication contraire.

3. Installez les vis pour fixer le dossier au carneau (2 par carneau).

4. Installez la tablette sur le dessus du dossier; assurez-vous que le conduit sur le dessus de la tablette s'engage dans la membrane supérieure du dossier.

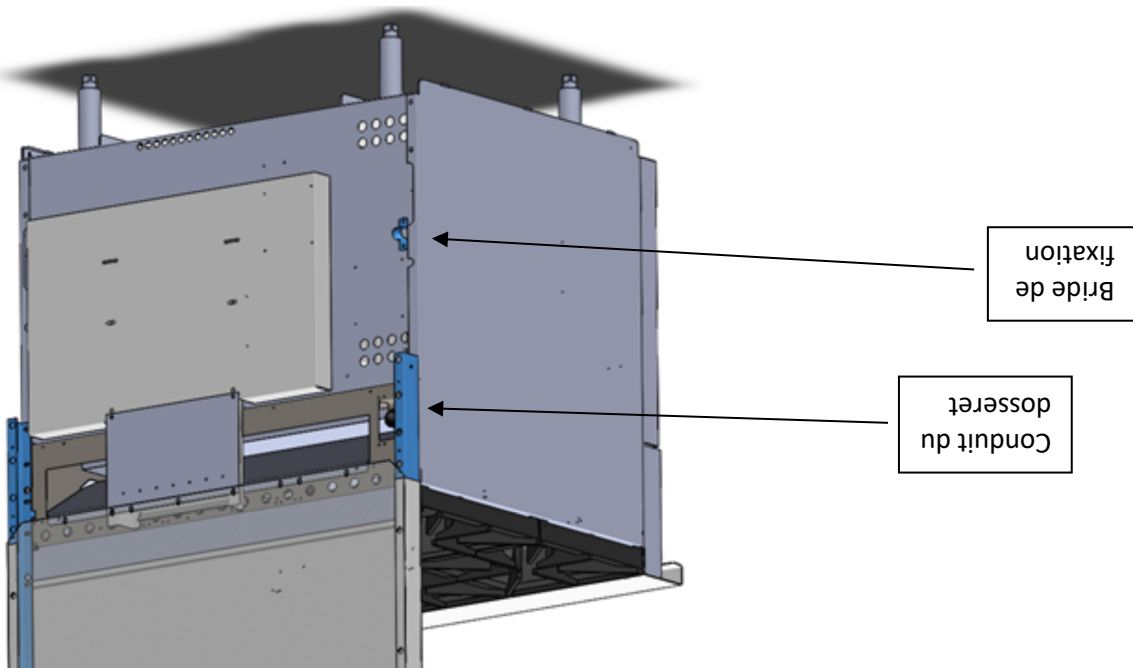
REMARQUE :

- La notice d'installation (no 921132) d'un dossier et d'une tablette renforcés est livrée séparément.
- Les tablettes ne peuvent être posées au-dessus des grils de type barbecue. Le support d'une tablette médiane et la notice d'installation, no 922417, sont fournis séparément.

NE PAS obstruer le flux des gaz de combustion provenant de la cheminée située à l'arrière de la cuisinière. La ventilation adéquate des gaz provenant de la cheminée est vitale pour le fonctionnement sécuritaire et efficace de la cuisinière. S'il survient des problèmes résultant de l'obstruction volontaire de la cheminée, la garantie sera annulée. Nous vous recommandons de ventiler les gaz de cheminée à l'extérieur à l'aide d'un système de ventilation installé par du personnel qualifié.

À partir de l'extrémité de la cheminée jusqu'aux filtres du système de ventilation, il faut observer un dégagement minimal de 18 po (457 mm). On peut obtenir de l'information sur la construction et l'installation des hottes de ventilation en se référant à la norme NFPA n° 96 (édition la plus récente) traitant de « L'extraction des vapeurs produites par l'équipement de cuisson »; on peut s'en procurer des copies en s'adressant à l'Association nationale de protection contre les incendies, Parc Batterymarch, Quincy, MA 02269.

S'il devient nécessaire de détacher le dispositif de retenue, fermez l'arrivée du gaz avant de le faire. Rattachez cette retenue avant de rouvrir le gaz et de retourner la cuisinière à son emplacement. Si la cuisinière est montée sur des roues et déplacée pour une raison ou une autre, il est recommandé qu'elle soit remise de niveau de l'avant vers l'arrière et d'un côté à l'autre pour une cuisson au four uniforme.



Les cuisinières sur roues doivent être raccordées avec un raccord flexible (non livré) conforme à la norme traitant du raccordement des appareils au gaz mobiles, ANSI Z 21,69 • CSA 6,16 et avec un dispositif de raccord flexible et au dispositif de désaccouplement rapide ou à la tuyauterie adjacente. Des points d'ancrage ont été prévus pour fixer le dispositif de retenue à l'arrière de la cuisinière, y compris une bride de fixation (pour y attacher un dispositif de retenue) et des trous dans le conduit du dossieret. De plus, faut prévoir des méthodes adéquates pour limiter le mouvement de l'appareil sans se fier au désaccouplement rapide utilisés avec les combustibles gazeux.

Aux États-Unis d'Amérique

1. Les codes des états et les codes locaux.
2. Le Code national des gaz de combustion, norme ANSI-Z223.1/NFPA N° 54 (édition la plus récente). Cela doit comprendre sans s'y limiter : la norme NFPA N° 54 Section 10.3.5.2 pour la ventilation. Vous pouvez en obtenir copie auprès de « l'American Gas Association Accredited Standards Committee Z223 », 400 Rue Capital NW, Washington, DC 20001 ou auprès du « Secretary Standards Council, NFPA », 1 Parc Battery March, Quincy, MA 02169-7471.

REMARQUE : dans l'État du Massachusetts

Tous les appareils au gaz ventilés par une hotte de ventilation ou par un système d'échappement muni d'un régulateur de tirage ou par un système de ventilation motorisé doivent être conformes à la norme 248 CMR.

3. La norme NFPA n° 96 traitant de l'évacuation des vapeurs provenant de l'équipement de cuisson, édition la plus récente, qu'on peut se procurer auprès de la National Fire Protection Association, Parc Battery March, Quincy, MA 02269.

Au Canada :

1. Les codes locaux.
2. La norme CAN/CSA-B149.1 traitant de l'installation du gaz naturel (édition la plus récente).
3. La norme CAN/CSA-B149.2 du Code d'installation du gaz propane (édition la plus récente), disponible auprès de l'Association canadienne du gaz, 178 Boulevard Rexdale, Etobicoke, Ontario, Canada, M9W 1R3.

L'information ci-dessus est disponible auprès de L'Association canadienne de normalisation, 5060 Spectrum Way, Bureau 100, Mississauga, Ontario, Canada, L4W 5N6.

MONTAGE DES PIEDS OU DES ROUES

La cuisinière est livrée avec des pieds réglables de 6 po (152 mm) en acier inox (visserie incluse), emballés dans une boîte fixée à l'intérieur du four ou dans une troussée de finition. Un jeu de roues de 6 po (152 mm), réglables ou non, est offert en option à titre d'accessoire pour installation sur les lieux.

ROUES À INSTALLER	PIEDS À INSTALLER	CUISINIÈRES (largeurs)
4	4	12 po (305 mm)
4	4	24 po (610 mm)
4	4	36 po (915 mm)
8	8	48 po (1220 mm)
8	8	60 po (1525 mm)
8	8	72 po (1830 mm)

Installation des pieds ou des roues :

1. Penchez la cuisinière sur le côté ou sur l'arrière avec précaution. Pour éviter de l'endommager, on peut enlever la cheminée arrière.
2. Alignez les trous de la plaque de montage des pieds ou des roues sur les trous déjà percés en dessous de la cuisinière à chacun des quatre coins. Il faut installer quatre pieds ou roues supplémentaires sur les cuisinières de 48, 60 et 72 po (1220, 1525 et 1830 mm).
3. Fixez la plaque de montage au-dessous de la cuisinière à l'aide des quatre (4) vis auto taraudeuses de ¼ x ¾ po livrées (6,35 x 19 mm). Quand on installe des roues, celles qui sont munies de freins devraient être installées à l'avant.
4. Après l'installation des pieds ou des roues, remettez la cuisinière en position debout avec précaution. (Pour plus d'information, référez-vous à la rubrique « MISE DE NIVEAU » de ce manuel).

Votre cuisinière Endurance de Vulcan et Challenger de Wolf doit être installée en conformité avec :

CODES ET NORMES D'INSTALLATION

La ou les cuisinières doivent être installées de sorte que la circulation de l'air de combustion et de ventilation ne soit pas restreinte. Il faut prévoir un dégagement adéquat pour les ouvertures d'air dans la ou les chambres de combustion. Assurez-vous qu'il y ait un apport d'air suffisant dans la pièce pour permettre la combustion du gaz aux brûleurs.

L'appareil s'avancant de 3 po au-delà du mur et ou de la plateforme. Les cuisinières peuvent être installées sur des planchers combustibles lorsqu'elles sont équipées de pieds réglables de 6 po (152 mm) ou montées sur des roues. Si les pieds ou les roues sont retirés, il faut les utiliser strictement sur des planchers incombustibles, un mur et porteur ou une plateforme, le devant de

Le lieu de l'installation doit permettre des dégagements adéquats pour l'entretien et pour un bon fonctionnement. Un dégagement avant minimal de 35 po (889 mm) est nécessaire.

Dégagements pour l'installation :	CONSTRUCTION	COMBUSTIBLE	CONSTRUCTION
Arrière :	6 po (152 mm)	0 po/mm	0 po/mm
Côté droit :	10 po (254 mm)	0 po/mm	0 po/mm
Côté gauche :	10 po (254 mm)	0 po/mm	0 po/mm

La zone où l'équipement sera installé doit être dégagée et exempte de toute substance combustible.

EMPLACEMENT

Si les brûleurs ont été expédiés en utilisant des attaches de fixation, détachez-les avant d'installer la cuisinière. Avant l'installation, vérifiez le type de gaz (naturel ou propane) pour vous assurer qu'il concorde avec les caractéristiques de la plaque signalétique située à l'intérieur de la plaque coup de pied. Si le type de gaz amené et l'équipement ne concordent pas, ne commencez pas l'installation. Contactez votre détaillant immédiatement.

Déballer la ou les cuisinières avec soin et transportez-les à leur emplacement approximatif d'installation. Retirez de l'enceinte du four les pièces emballées dans une petite boîte en carton ou expédiées séparément dans uneousse de finition.

Cette cuisinière a été inspectée avant de quitter l'usine. Lorsqu'elle prend son expédition en charge, l'entreprise de transport accepte l'entière responsabilité de la livrer en toute sécurité. Aussitôt après le déballage, vérifiez si elle peut avoir subi des dommages pendant le transport. Si la cuisinière se trouve endommagée, conservez le matériel d'emballage et contactez le transporteur dans les 5 jours suivant la livraison.

DÉBALLAGE

INSTALLATION

SHIELD-FRFRH SHIELD-FRFLH	Bouclier de friteuse anti-éclaboussures – Pour côté droit ou gauche. Pour protéger le dessus de la cuisinière des projections d'huile venant d'une friteuse adjacente.
STUB10-XL (12, 24, 36, 48, 60, 72) 48, 60, 72)	Cheminée courte de 10 po (254 mm). Livrée avec les cuisinières de 12, 24, 36, 48, 60, et 72 po (305, 610, 914, 1219, 1524 et 1829 mm).
VFLANGED- FEET/4	Jeu de quatre (4) pieds à collerettes. Deux jeux (2) requis pour les cuisinières de 48, 60, et 72 po (1219, 1524 et 1829 mm).

INSTALLATION, FONCTIONNEMENT ET ENTRETIEN DES CUISINIÈRES AU GAZ POUR RESTAURANTS ENDURANCE DE VULCAN & CHALLENGER DE WOLF S.V.P. CONSERVEZ CE MANUEL POUR RÉFÉRENCES

FUTURES GÉNÉRAL

Les cuisinières et les fours Endurance de Vulcan et Challenger de Wolf ont été fabriqués par de la main d'œuvre et avec des matériaux de qualité. Ces cuisinières ont été conçues en ayant à l'esprit leurs performances de cuisson, l'hygiène et leur facilité de nettoyage. Si votre cuisinière est installée, utilisée et entretenue correctement, elle vous donnera de nombreuses années de performances satisfaisantes.

Le fabricant vous conseille de lire attentivement la totalité de ce manuel et d'observer soigneusement toutes les instructions prévues.

Pour le montage des sous-ensembles réfrigérés, se référer au manuel F961533.

ACCESSOIRES OFFERTS EN OPTION MONTABLES SUR LES LIEUX


CODE D'ACCESSOIRE	DESCRIPTION
3/4QDH-4FT	Tuyau flexible ¾ po (19 mm) à déconnexion rapide, longueur de 4 pi (1219 mm).
1INFLX-4FT	Tuyau flexible 1 po (25 mm) à déconnexion rapide, longueur de 4 pi (1219 mm).
ALTIKIT-CARN (01, 03, 05, 07, 09) ALTIKIT-CARP (02, 04, 06, 08, 10)	Trousse d'attitude – livrables pour le gaz naturel ou propane pour les attitudes suivantes : 0-1999 pi (0-609 m), 2000-3999 pi (610-1219 m), 4000-5999 pi (1220-1828 m), 6000-7999 pi (1829-2438 m), 8000-9999 pi (2439-3048 m).
CASTERS-RR4 CASTERS-ADJRR4	Jeu de quatre (4) roues standards. Jeu de quatre (4) roues réglables.
CONNECT-CHALL	Trousse de raccordement interne d'une salamandre/four à grâliner à la cuisinière.
CONRACK-XL(20,26) OVNRACK-XL(20,26) RKGUIDE-XL	1 grille supplémentaire pour les fours à convection. 1 grille supplémentaire pour les fours standards. 1 paire de guides pour les grilles (jeu de 2).
CURBMNT-XL4	Trousse pour montage sur mur et porte. Deux (2) jeux requis pour les cuisinières de 48, 60, et 72 po (1219, 1524 et 1829 mm).
OTB-STEPUP	Brûleur arrière étagé de 4 po (100 mm). Un kit requis par brûleur.
RCCONRL-(24, 36, 48, 60, 72)	Rail à condiments – Remplace le chantréin arrondi de série. Livrable sur les cuisinières de 24, 36, 48, 60, et 72 po (610, 914, 1219, 1524 et 1829 mm). (Bacs à condiments non livrés).
RCCUTBD-(24, 36, 48, 60, 72)	Ensemble de planche à découper – Remplace le chantréin arrondi. Livrable sur les cuisinières de 24, 36, 48, 60, et 72 po (610, 914, 1219, 1524 et 1829 mm). (Comprend une planche à découper tout caoutchouc Sani-TUFF®).
RCTWLBR-(24, 36, 48, 60, 72)	Ensemble porte-serviettes - Remplace le chantréin arrondi. Livrable sur les cuisinières de 24, 36, 48, 60, et 72 po (610, 914, 1219, 1524 et 1829 mm).
RSHELF-XL (24, 36, 48, 60, 72)	Cheminée/étagère haute renforcée – Dossier, hauteur de 23 po (584 mm), en inox avec supports de fixation pour grilloirs salamandre et fours à grâliner.

4	ACCESSOIRES OFFERTS EN OPTION MONTABLES SUR LES LIEUX
5	INSTALLATION
5	DÉBALLAGE
5	EMPLACEMENT
5	CODES ET NORMES D'INSTALLATION
6	MONTAGE DES PIEDS OU DES ROUES
8	INSTALLATION DE LA CHEMINÉE ET DE L'ÉTAGÈRE
9	MISE DE NIVEAU
9	INSTALLATION DU CHANFREIN AVANT ARRondi
12	INSTALLATION DES BRIQUES DU GRIL LISSE/GRILLOIR
12	PLOMBERIE
12	RACCORDEMENT DU GAZ
13	MISE À L'ESSAI DU SYSTÈME D'ALIMENTATION EN GAZ
13	CONNEXIONS ÉLECTRIQUES
13	FONCTIONNEMENT
13	COMMANDES
14	AVANT LA PREMIÈRE UTILISATION
14	ALLUMAGE DES VEILLEUSES ET CONTRÔLE DU FONCTIONNEMENT DES BRÛLEURS
17	FERMETURE
17	SUGGESTIONS DE FONCTIONNEMENT
17	ENFOURNEMENT ET DÉCHARGEMENT
18	NETTOYAGE
18	NETTOYAGE QUOTIDIEN
18	NETTOYAGE DE L'EXTÉRIEUR
19	ENTRETIEN & RÉGLAGES
20	NETTOYAGE
21	DÉPANNAGE

TABLE DES MATIÈRES

EN CAS DE PANNE DE COURANT, NE TENTEZ PAS
DE FAIRE FONCTIONNER CET APPAREIL.

Toute installation, réglage, modification,
intervention de service ou entretien inappropriés
peuvent causer des dommages matériels, des
blessures ou la mort. Lisez attentivement les
instructions d'installation, d'emploi et d'entretien
avant d'installer ou de réparer cet équipement.

 **AVERTISSEMENT**

POUR VOTRE SÉCURITÉ
N'entreposez pas et n'utilisez pas d'essence ou
d'autres vapeurs ou liquides inflammables à
proximité de cet appareil ou de tout autre appareil.

IMPORTANT
Si une odeur de gaz était détectée, fermez le robinet
d'arrêt principal des appareils et communiquez avec
votre compagnie de gaz ou votre fournisseur de gaz
local afin d'obtenir de l'assistance technique.

CE MANUEL A ÉTÉ RÉDIGÉ POUR UN PERSONNEL QUALIFIÉ POUR INSTALLER DE
L'ÉQUIPEMENT AU GAZ, ET QUI DEVRAIT PROCÉDER À LA MISE EN MARCHÉ ET
EFFECTUER LES RÉGLAGES INITIAUX DE L'ÉQUIPEMENT DÉCRIT DANS CE MANUEL.
AFFICHEZ DANS UN ENDROIT BIEN EN VUE LES INSTRUCTIONS QUI DOIVENT ÊTRE
SUIVIES AU CAS OÙ UNE ODEUR DE GAZ EST DÉTECTÉE. VOUS POUVEZ OBTENIR
CETTE INFORMATION AUPRÈS DE VOTRE FOURNISSEUR DE GAZ LOCAL.

IMPORTANT POUR VOTRE SÉCURITÉ

MODE D'EMPLOI & D'INSTALLATION

Cuisinières au gaz pour restaurants

ENDURANCE DE VULCAN / CHALLENGER DE WOLF

TW Food Equipment Group



MODÈLES:

12(F) – 24S(F)	36 (S, C) (F)
48(S, C) (F)	48SS(F)
60(S,C) (S,C) (F)	72(S,C) (S,C) (F)

www.vulcanequipment.com
www.wolfequipment.com



CONSERVER CE MANUEL POUR REFERENCES FUTURES

FORMULAIRE F38201 Rév. E (19-01)

Groupe ITW Equipment alimentaire, SARL
3600 Boul. North Point
Baltimore, MD 21222