

CATALOG OF REPLACEMENT PARTS AHP AND VHP GAS HOTPLATES

ITW Food Equipment Group



VULCAN

MODELS

VHP212
VHP424
VHP636
VHP848



VHP636

AHP212
AHP424
AHP636
AHP848



AHP636

For additional information on Vulcan or to locate an authorized parts and service provider in your area, visit our website at www.vulcanequipment.com

TABLE OF CONTENTS

INTRODUCTION.....	2
REVISION A AHP AND VHP MODELS	3
Exploded parts view of exterior components.....	3
Exploded parts views of gas train components.....	4
Recommended spare parts.....	5
REVISION B AHP AND VHP MODELS	6
Exploded parts view of exterior components.....	6
Exploded parts views of gas train components.....	7
Recommended spare parts.....	8

INTRODUCTION

The AHP and VHP model designation is shared by two design platforms that have the same basic dimensions; however many service parts for the two designs are not interchangeable. The first revision (A) was manufactured prior to January of 2012; the second revision (B) began manufacture in January of 2012.

Revision A models produced before January of 2012 will have one pilot head at each burner on the standard, flat burner units. Revision B models produced beginning in January of 2012 will have one pilot head between every two burners with a flash tube for flame carry over on the standard, flat burner models. Revision A AHP and VHP models manufactured prior to January of 2012 will have a removable bullnose (see item 2 on page 3) and revision B models manufactured January 2012 to present will have a bullnose that is welded to the chassis assembly and cannot be removed. The images on the front cover represent revision B models manufactured January 2012 to present.

January 2012 was the start for revision B but some of the revision A models ran several months past this date including most step-up models.

**REVISION A AHP AND VHP MODELS
EXTERIOR COMPONENTS**

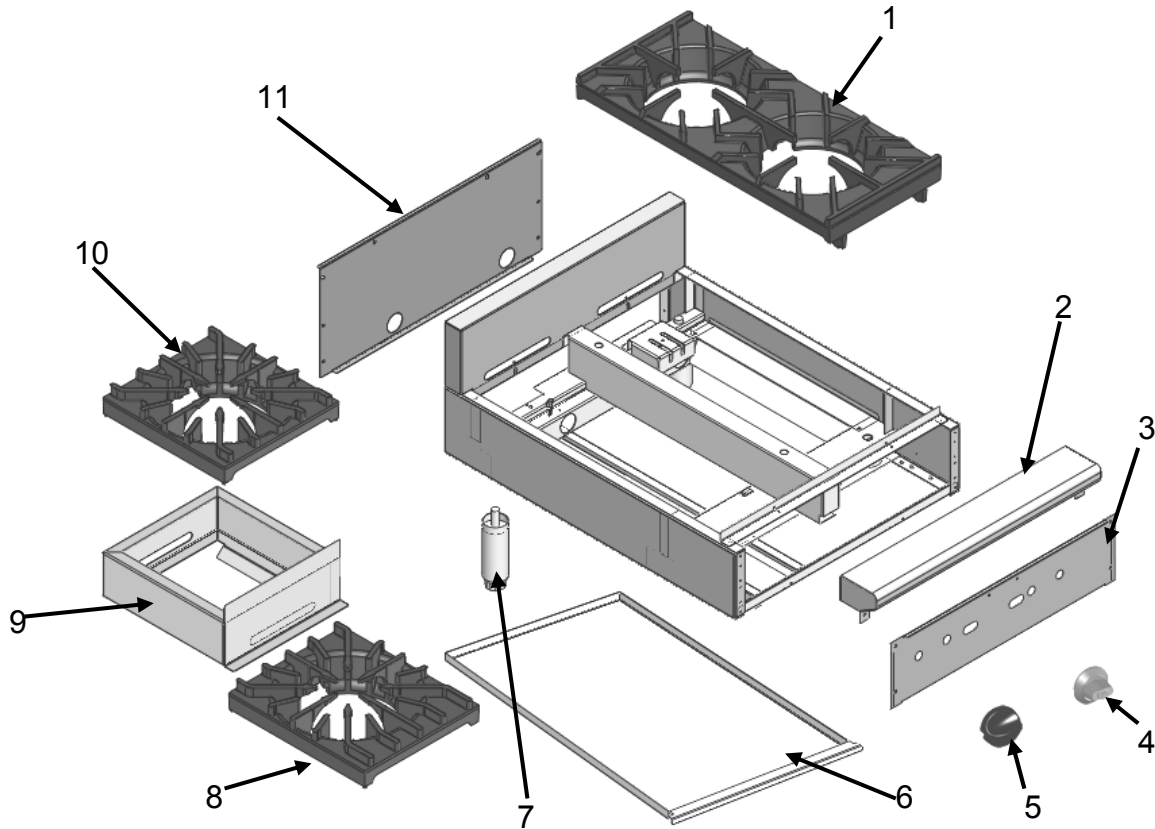


ILLUSTRATION NO.	PART NO.	NAME OF PART	AMOUNT
1.....	00-720567-00000.....	Grate, Double.....AR
2.....	00-498000-00012.....	Bullnose(12").....1
	00-498000-00024.....	Bullnose(24").....1
	00-498000-00036.....	Bullnose(36").....1
	00-498000-00048.....	Bullnose(48").....1
3.....	00-498001-00012.....	Panel, Front(12").....1
	00-498001-00024.....	Panel, Front(24").....1
	00-498001-00036.....	Panel, Front(36").....1
	00-498001-00048.....	Panel, Front(48").....1
4.....	00-719255-00012.....	Knob, Wolf (Red).....AR
5.....	00-428300-00001.....	Knob, Vulcan (Black).....AR
6.....	00-788918-00000.....	Tray, Crumb (212).....1
	00-788919-00000.....	Tray, Crumb (424).....1
	00-788920-00000.....	Tray, Crumb (636).....1
	00-788921-00000.....	Tray, Crumb (848).....1
7.....	00-723532-00000.....	Leg (6" – recessed mount leg design).....4
	00-710503-00000.....	Leg (4" – surface mount leg design).....4
8.....	00-722559-00000.....	Step-Up Grate (Front).....AR
9.....	00-498008-0000A.....	Step-Up Frame.....AR

ILLUSTRATION NO.	PART NO.	NAME OF PART	AMOUNT
10.....	00-722560-00000.....	Step-Up Grate (Rear).....	AR
11.....	00-788944-00000.....	Back Panel (12").....	1
	00-788824-00000.....	Back Panel (24").....	1
	00-788825-00000.....	Back Panel (36").....	1
	00-788801-00000.....	Back Panel (48").....	1
	00-498009-00012.....	Step-Up Back Panel (12").....	1
	00-498009-00024.....	Step-Up Back Panel (24").....	1
	00-498009-00036.....	Step-Up Back Panel (36").....	1
	00-498009-00048.....	Step-Up Back Panel (48").....	1

**REVISION A AHP AND VHP MODELS
GAS TRAIN COMPONENTS**

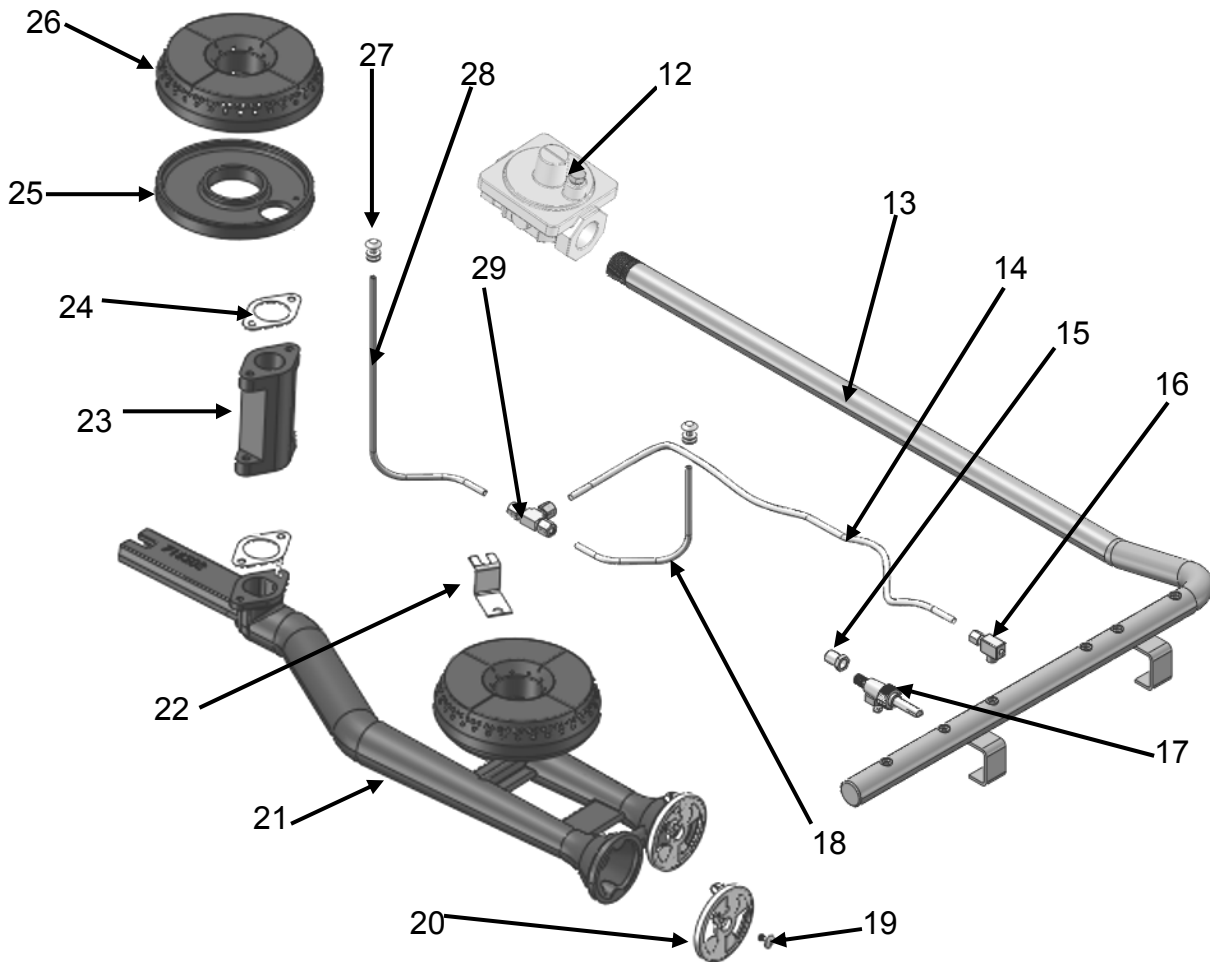


ILLUSTRATION NO.	PART NO.	NAME OF PART	AMOUNT
12.....	00-408279-00021.....	Pressure Regulator (LP Gas).....	1
	00-408279-00025.....	Pressure Regulator (Nat. Gas).....	1
13.....	00-788931-000A1.....	Manifold Weld Assembly (212).....	1
	00-788932-000A1.....	Manifold Weld Assembly (424).....	1
	00-788933-000A1.....	Manifold Weld Assembly (636).....	1
	00-790093-000A1.....	Manifold Weld Assembly (848).....	1

AHP AND VHP GAS HOTPLATES REPLACEMENT PARTS

ILLUSTRATION NO.	PART NO.	NAME OF PART	AMOUNT
14.....	00-723380-00000.....	3/16" x 18" flex tubeAR
15.....	00-719951-00041.....	Burner Orifice (Nat Gas).....AR
	00-719951-00053.....	Burner Orifice (LP Gas).....AR
16.....	00-719193-00000.....	Valve, Adj Pilot 1/8" x 3/16" CC.....AR
17.....	00-719221-00000.....	Valve, Adj Burner.....AR
18.....	00-498007-00000.....	3/16" Pilot Tube.....AR
19.....	00-730228-00000.....	10-24 x 1/2" Screw.....AR
20.....	00-719329-00000.....	Air Shutter.....AR
21.....	00-762970-0000A.....	Double Burner Assy (20,21,22,24,25&26)AR
22.....	00-762346-00000.....	Pilot Bracket.....AR
23.....	00-497489-00001.....	Step-Up Burner Spacer.....AR
24.....	00-714910-00000.....	Burner Gasket.....AR
25.....	00-715201-00001.....	Burner Base.....AR
26.....	00-715200-00002.....	Burner Head.....AR
27.....	00-719135-00000.....	Pilot Tip.....AR
28.....	00-498007-004UP.....	Step-Up Burner 3/16" Pilot Tube.....AR
29.....	00-719174-00000.....	3/16" X 3/16" X 3/16" CC Tee.....AR

**REVISION A AHP AND VHP MODELS
RECOMMENDED SPARE PARTS**

ILLUSTRATION NO.	PART NO.	NAME OF PART	AMOUNT
4.....	00-719255-00012.....	Knob, Wolf (Red).....2
5.....	00-428300-00001.....	Knob, Vulcan (Black).....2
12.....	00-408279-00021.....	Pressure Regulator (LP Gas).....2
12.....	00-408279-00025.....	Pressure Regulator (Nat. Gas).....2
15.....	00-719951-00041.....	Burner Orifice (Nat Gas).....2
15.....	00-719951-00053.....	Burner Orifice (LP Gas).....2
16.....	00-719193-00000.....	Valve, Adj Pilot 1/8" x 3/16" CC.....2
17.....	00-719221-00000.....	Valve, Adj Burner.....2
27.....	00-719135-00000.....	Pilot Tip.....2

**REVISION B AHP AND VHP MODELS
EXTERIOR COMPONENTS**

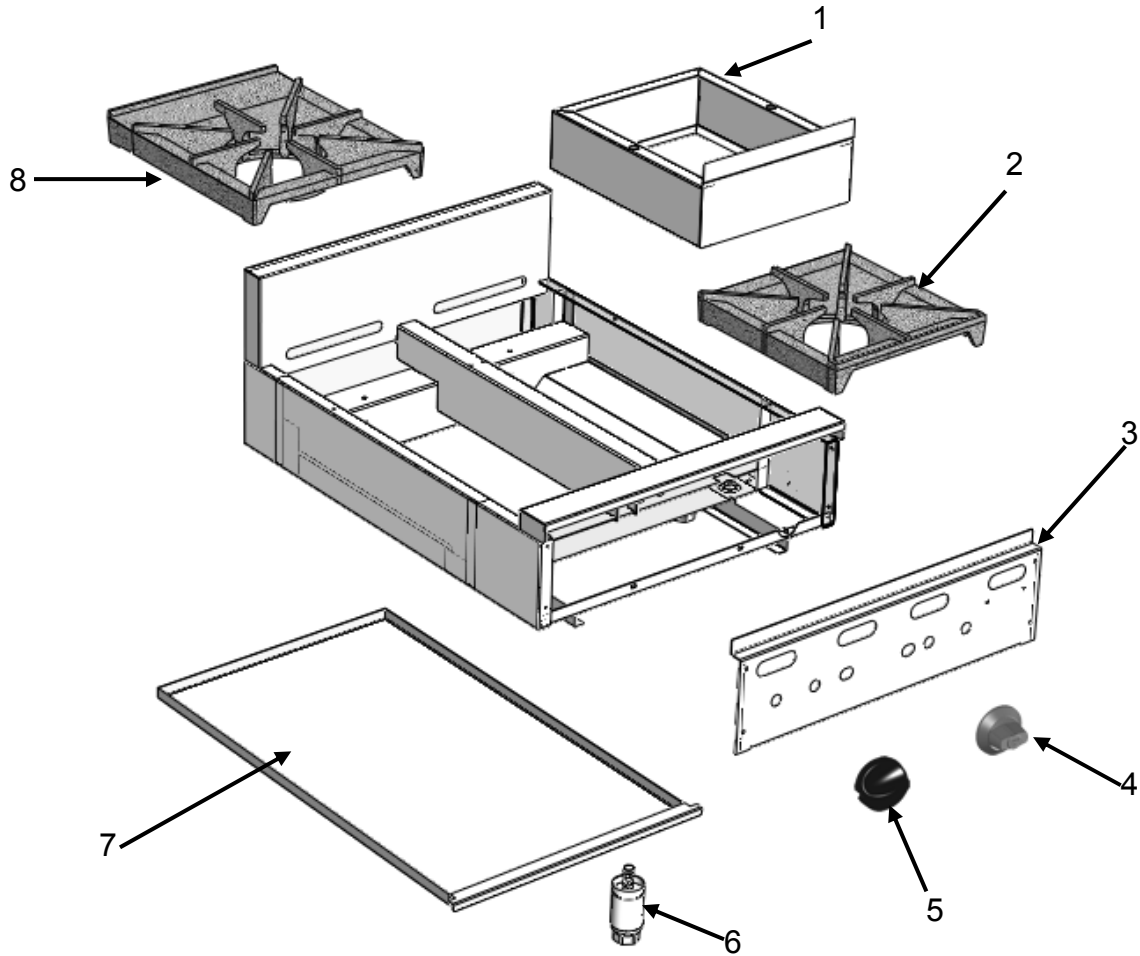


ILLUSTRATION NO.	PART NO.	NAME OF PART	AMOUNT
1.....	00-944227-0000A.....	Step-Up Frame.....AR
2.....	00-925000-00000.....	Front Grate.....AR
3.....	00-944225-00012.....	Panel, Front (212).....1
	00-944225-00024.....	Panel, Front (424).....1
	00-944225-00036.....	Panel, Front (636).....1
	00-944225-00048.....	Panel, Front (848).....1
4.....	00-719255-00012.....	Knob, Wolf (Red).....AR
5.....	00-428300-00001.....	Knob, Vulcan (Black).....AR
6.....	00-710503-00000.....	Leg, 4.....4
7.....	00-944224-0012A.....	Tray, Crumb (212).....1
	00-944224-0024A.....	Tray, Crumb (424).....1
	00-944224-0036A.....	Tray, Crumb (636).....1
	00-944224-0048A.....	Tray, Crumb (848).....1
8.....	00-925001-00000.....	Rear Grate.....AR

**REVISION B AHP AND VHP MODELS
GAS TRAIN COMPONENTS**

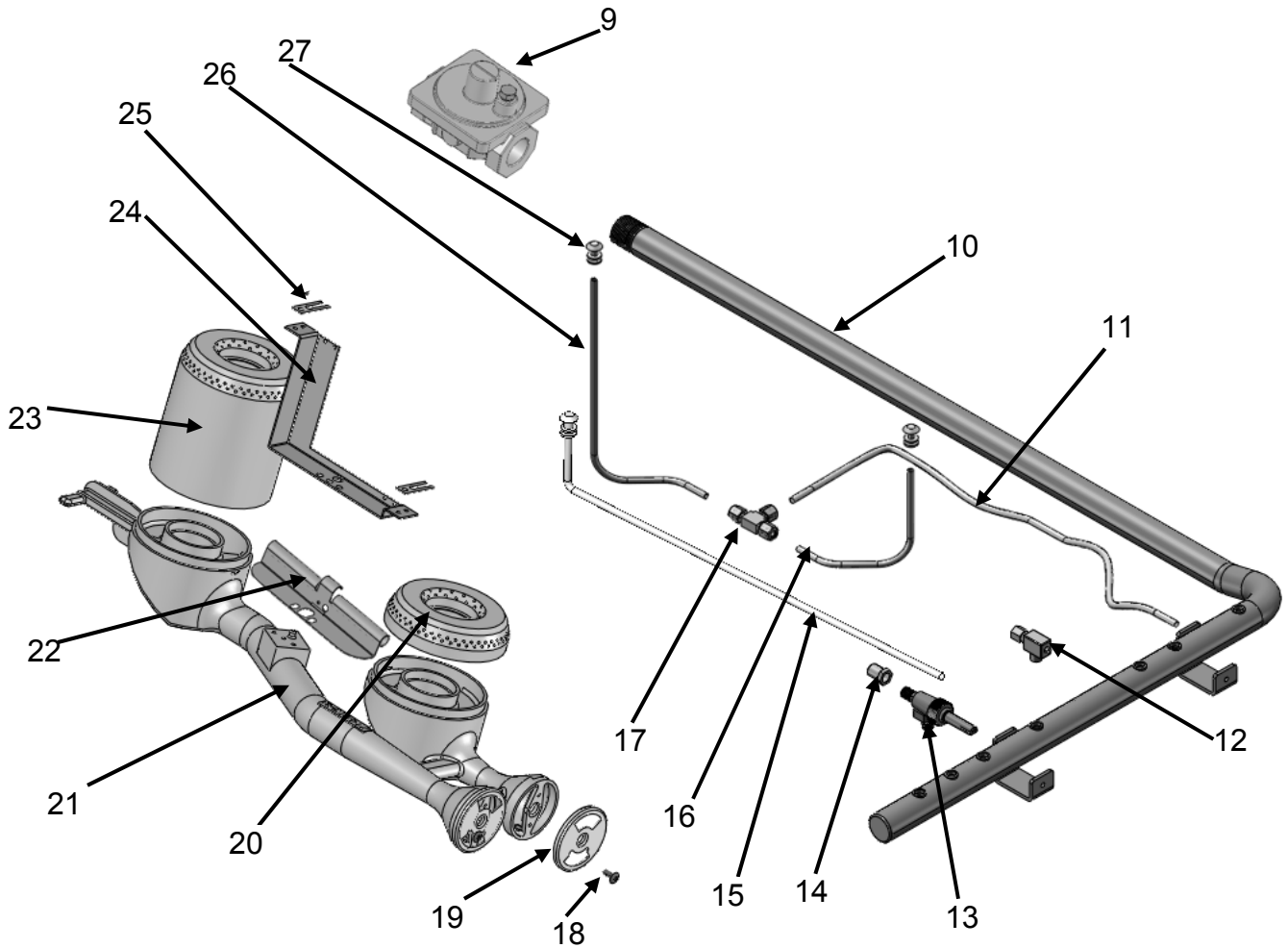


ILLUSTRATION NO.	PART NO.	NAME OF PART	AMOUNT
9.....	00-408279-00021.....	Pressure Regulator (LP Gas).....1
	00-408279-00025.....	Pressure Regulator (Nat. Gas).....1
10.....	00-944223-0012A.....	Manifold Weld Assembly (212).....1
	00-944223-0024A.....	Manifold Weld Assembly (424).....1
	00-944223-0036A.....	Manifold Weld Assembly (636).....1
	00-944223-0048A.....	Manifold Weld Assembly (848).....1
11.....	00-723380-00000.....	3/16" x 18" flex tube (Step-Up Units).....AR
12.....	00-719193-00000.....	Valve, Adj Pilot 1/8" x 3/16" CC.....AR
13.....	00-719221-00000.....	Valve, Adj Burner.....AR
14.....	00-719951-00041.....	Burner Orifice (Nat Gas).....AR
	00-719951-00052.....	Burner Orifice (LP Gas).....AR
15.....	00-922124-0000A.....	3/16" Pilot Tube Assy (Standard Units)....AR
16.....	00-498007-00000.....	3/16" Pilot tube (Front On Step-Up Units)..AR
17.....	00-719174-00000.....	3/16" X 3/16" X 3/16" CC Tee.....AR
18.....	00-730228-00000.....	10-24 x 1/2" Screw.....AR
19.....	00-719329-00000.....	Air Shutter.....AR

AHP AND VHP GAS HOTPLATES REPLACEMENT PARTS

ILLUSTRATION NO.	PART NO.	NAME OF PART	AMOUNT
20.....	00-417608-00001.....	Burner Head.....AR
21.....	00-763209-000A1.....	Double Burner Assy (19,20,21,22).....AR
22.....	00-787275-00001.....	Flash Tube (Standard Units).....AR
23.....	00-921330-00000.....	Step-Up Burner Head.....AR
24.....	00-921382-00000.....	Step-Up Pilot Bracket.....AR
25.....	00-413302-00001.....	Pilot Mounting Clip.....AR
26.....	00-498007-004UP.....	Step-Up Burner 3/16" Pilot Tube.....AR
27.....	00-719135-00000.....	Pilot Tip.....AR

**REVISION B AHP AND VHP MODELS
RECOMMENDED SPARE PARTS**

ILLUSTRATION NO.	PART NO.	NAME OF PART	AMOUNT
4.....	00-719255-00012.....	Knob, Wolf (Red).....2
5.....	00-428300-00001.....	Knob, Vulcan (Black).....2
9.....	00-408279-00021.....	Pressure Regulator (LP Gas).....2
9.....	00-408279-00025.....	Pressure Regulator (Nat. Gas).....2
14.....	00-719951-00041.....	Burner Orifice (Nat Gas).....2
14.....	00-719951-00052.....	Burner Orifice (LP Gas).....2
12.....	00-719193-00000.....	Valve, Adj Pilot 1/8" x 3/16" CC.....2
13.....	00-719221-00000.....	Valve, Adj Burner.....2
27.....	00-719135-00000.....	Pilot Tip.....2