



Manitowoc

Foodservice

HOW TO READ A MODEL NUMBER

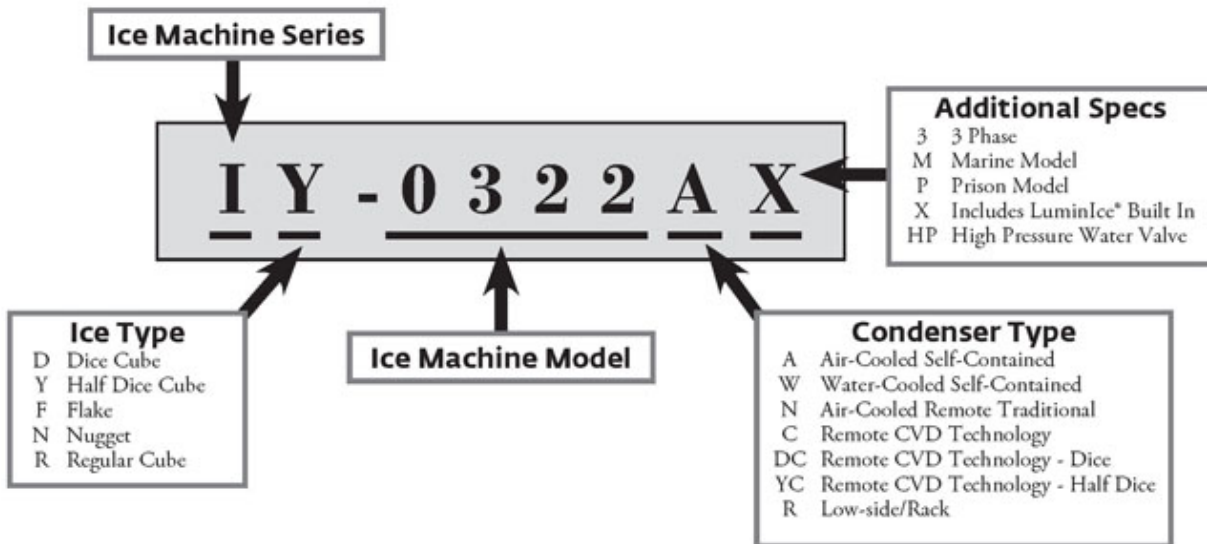


TABLE OF CONTENTS

Manitowoc Foodservice [Updated: Apr. 23, 2015]

Manitowoc - Ice & Related

Parts Catalog

Ice Machine

Indigo Series

Indigo Model - Air, Water & Remote

i0322 Indigo

i0322 Control Box1

i0322 Evaporator Compartment - Common Components 3

i0322 Refrigeration Compartment - Common Components 6

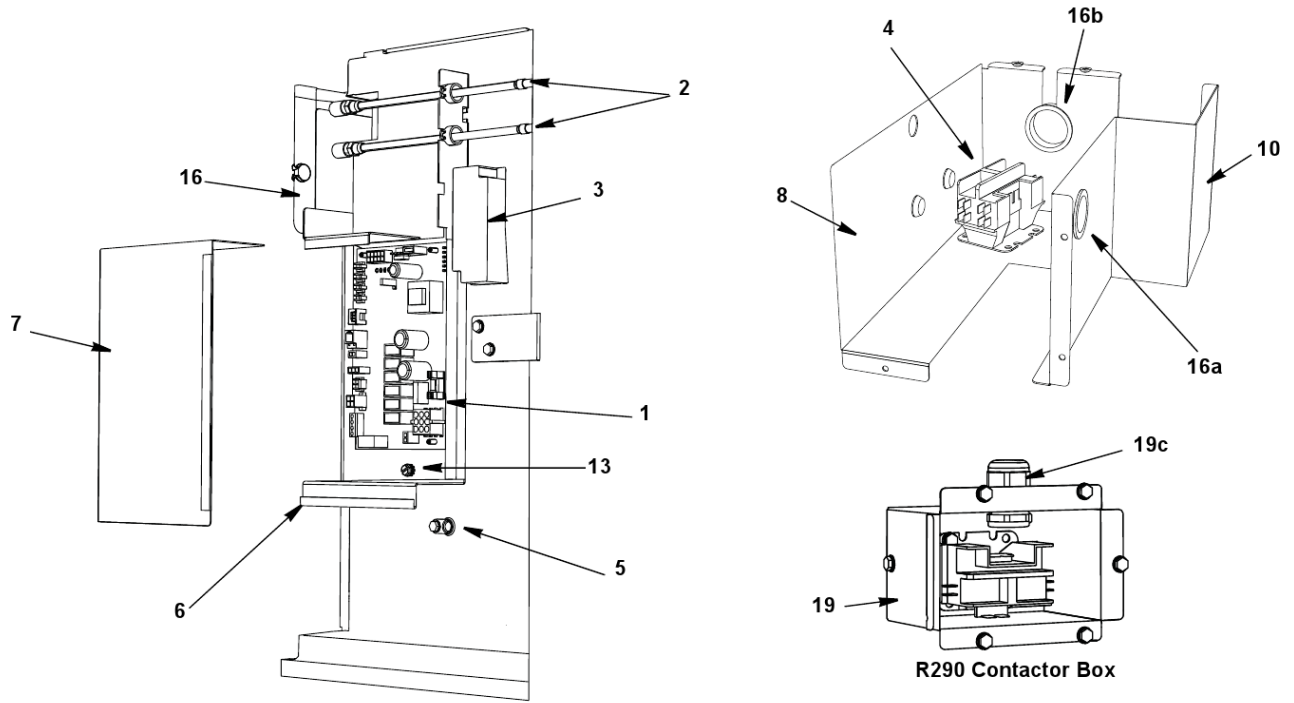
i0322 Refrigeration Compartment – Air-cooled9

i0322 Refrigeration Compartment – Water-cooled11

i0322 Panels13

i0322 Indigo

I0322 CONTROL BOX



R290 Contactor Box

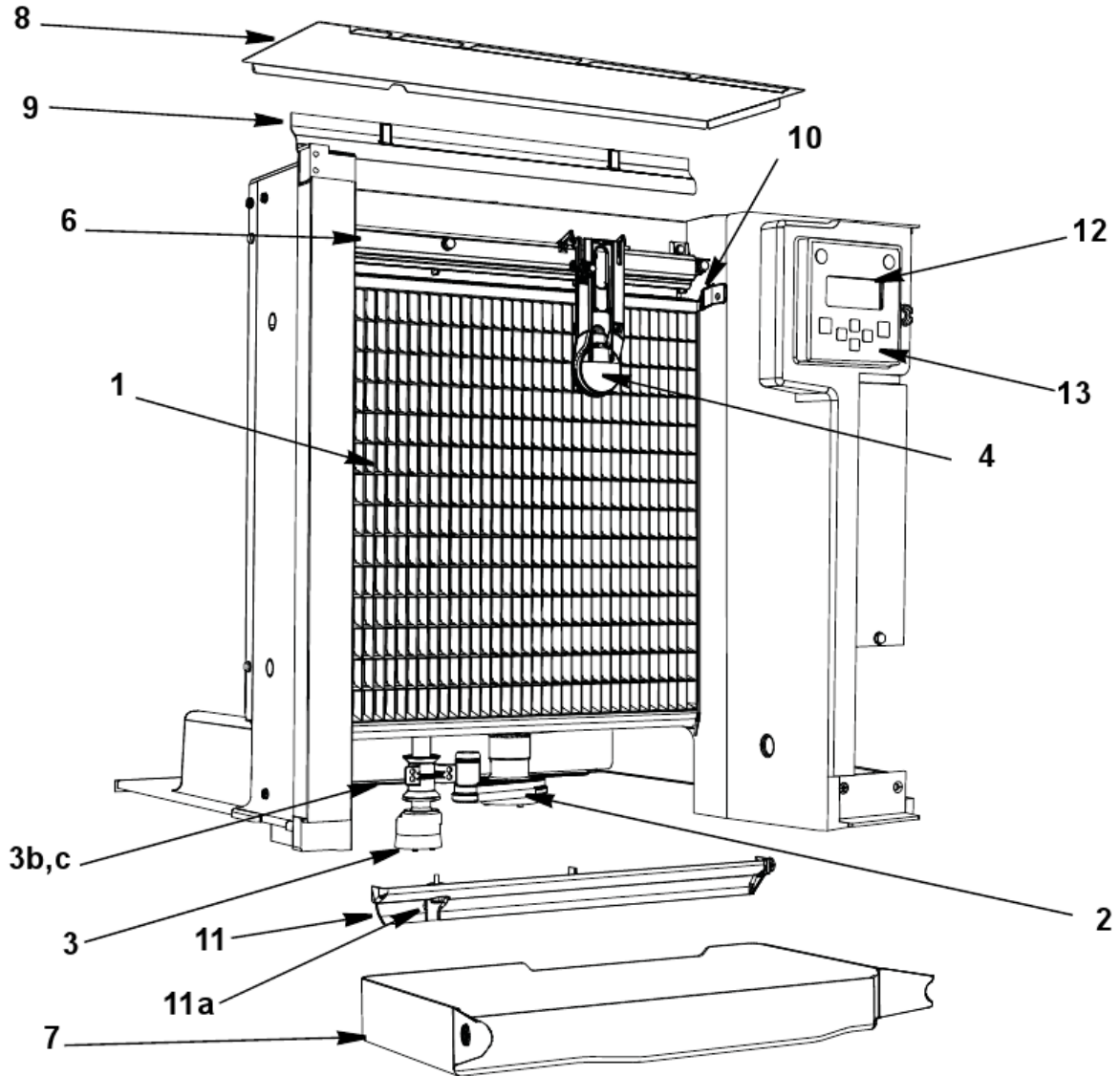
i0322 Indigo

I0322 CONTROL BOX

#	PART #	DESCRIPTION	QTY	Note
1	000008309	Control Board		
1a	000009181	8 amp Ceramic Fuse - Mounted on Control Board		
2	8373263	Refrigeration Service Valve Assembly		
3	K00424	LuminIce		
4		Contactora		
4a	2006589	Contactora - 115V/60 Hz/1 Ph		
4b	2006599	Contactora - 230V/50-60 Hz/1 Ph		
5	000007888	Magnetic Bin Switch		
5a	000007410	Bin Switch Wiring Harness		
6	000009213	Control Board Box		
7	000009228	Control Board Box Cover		
8	000008623	Start Components Box		
9	6069681	Start Components Box Top Cover		
10	000008620	Start Components Box Side Cover		
11	4302253	Control Board Mounting Supports		
12	5005303	Capacitor Mounting Brackets		
12a	6021601	Capacitor Mounting Strap		
13	5202169	Screw - #10-24 x 0.50" Ground		
13a	5573209	Star Washer		
14	5202069	Screw - #10-24 x 0.50" HEX		
15	5573209	Star Washer		
16		Control Box Bushings		
16a	2502189	Bushing - 0.625"		
16b	2500019	Bushing - 1.187"		
16c	2500139	Bushing - 1.5"		
17		Control Box Wiring Harness		
17a	000007842	Control Box Wiring Harness - 115V/60 Hz/1 Ph		
17b	000007843	Control Box Wiring Harness - 230V/60 Hz/1 Ph		
17c	000007844	Control Box Wiring Harness - 230V/50 Hz/1 Ph		
17d	000009996	Control Box Wiring Harness R290 - 230V/50 Hz/1 Ph to Control Board		
17e	000009951	Control Box Wiring Harness R290 - 230V/50 Hz/1 Ph to Start Components		
18	2008769	Compressor Wiring Harness		
19	000009209	R290 Contactor Box		
19a	000009210	R290 Contactor Box Cover		
19b	000009239	R290 Contactor Box Mounting Bracket		
19c	000009229	R290 Liquid Tight Cord Grip		
19d	000009262	R290 Contactor Wiring Harness - 230V/50 Hz/1 Ph		
19e	2004603	R290 Terminal Block - 230V/50 Hz/1 Ph		
20	000010086	R290 Compressor Wiring Harness - 230V/50 Hz/1 Ph		

i0322 Indigo

I0322 EVAPORATOR COMPARTMENT - COMMON COMPONENTS



I0322 EVAPORATOR COMPARTMENT - COMMON COMPONENTS

#	PART #	DESCRIPTION	QTY	Note
1		Evaporator Assembly		
1a	000011339	Evaporator - Dice Cube		
1b	000011340	Evaporator - Half Dice Cube		
2		Water Pump		
2a	2008929	Water Pump - 115V/60 Hz		
2b	2008939	Water Pump - 230V/60 Hz		
2c	2008949	Water Pump - 230V/50 Hz		
2d	000010244	Water Pump Mount		
3	000007052	Water Level Probe		
3a	000007099	Wire - Control Box to Probe		[1]
3b	000007053	Water Level Probe - Holder		
3c	5202099	Screw - #10-24 x 0.50" PHIL		[2]
4	000008660	Ice Thickness Control Probe		
5	4011189	Water Curtain		[1]
6	7602789	Water Distribution Tube - 22" L		
6a	5004649	O-Rings		[3]
7		Water Trough		
7a	4009149	Water Trough - without Tabs		[4]
7b	000010336	Water Trough - with Tabs		[5]
8	000009188	Foodzone Seal Panel		
9	6065389	Evaporator Top Filler Panel		
9a	6063339	Bracket - Top Filler Panel		
9b	5202099	Screw - #10-24 x 0.50" PHIL		
10	7602799	Evaporator Top Frame Assembly		
11	7602779	Water Diverter - 22" Models		
11a	5305123	Thumbscrew SS - #8-32 x 0.44"		
12	000006728	LCD Display		
13	000008064	Touch Pad with Housing		
14	000007828	LCD Wiring Harness - 20" Long		[1]
15	000006697	Touch Pad/Housing Mounting Bracket		
16		Front Panel LCD Frame		
16a	000007046	Front Panel LCD Frame with Key Guard		
16b	000007047	Front Panel LCD Frame without Key Guard		
16c	K00433	Display Cover		[6]
17	5004799	Thumbscrew SS - #8-32 x 0.375"		[7]
17a	5004629	O-Ring - 0.125" ID		
18	5004619	Screw - #12-16 x 0.687"		[8]
19	5004659	Water Pump Base O-Ring - 4.00" ID		
20	5004679	Water Pump Outlet O-Ring - 0.875" ID		

PART NOTES:

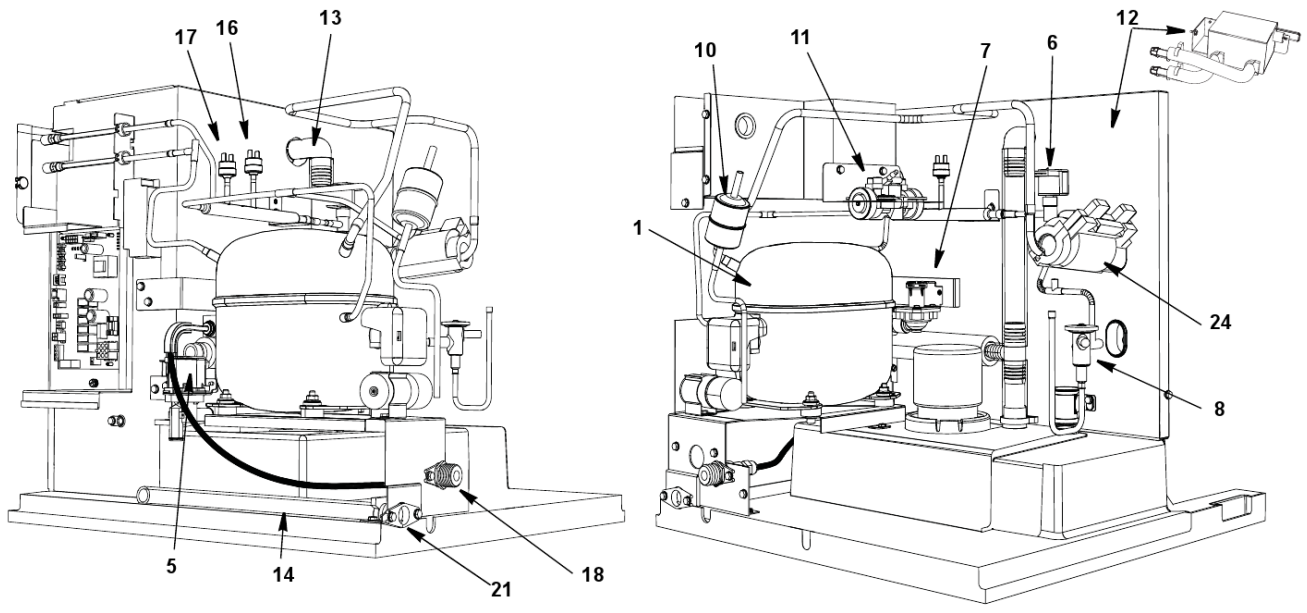
- [1] - Not shown
- [2] - Mount Water Level Probe Holder
- [3] - Back of Distribution Assembly
- [4] - \water trough.jpg" width=311 height=143>

I0322 EVAPORATOR COMPARTMENT - COMMON COMPONENTS

PART NOTES:

- [5] - \water trough with tabs.jpg" width=355 height=194>
- [6] - hides the display completely
hides the display completely
- [7] - Water Distribution Tube Mounting
- [8] - Each

I0322 REFRIGERATION COMPARTMENT - COMMON COMPONENTS



i0322 Indigo

I0322 REFRIGERATION COMPARTMENT - COMMON COMPONENTS

#	PART #	DESCRIPTION	QTY	Note
1		Compressor		
1a	7601343	Compressor - Danfoss - 115V/60 Hz/1 Ph		
1b	7601353	Compressor - Danfoss - 208-230V/50-60 Hz/1 Ph		
1c	000010332	Compressor - R290 - 230V/50 Hz/1 Ph		
1d	000009259	Compressor Terminal Cover - R290 - 230V/50 Hz/1 Ph		
2		Start Relay		
2a	8251033	Start Relay - 115V/60 Hz/1 Ph		
2b	2002243	Start Relay - 208-230V/50-60 Hz/1 Ph		
2c	000009258	Start Relay - R290 - 230V/50 Hz/1 Ph		
2d	8251013	Start Relay Cover		
3	000009194	Run Capacitor - R290 - 230V/50 Hz/1 Ph Only		
4		Start Capacitor		
4a	8251023	Start Capacitor - 115V/60 Hz/1 Ph		
4b	8504433	Start Capacitor - 208-230V/50-60 Hz/1 Ph		
4c	000009195	Start Capacitor - R290 - 230V/50 Hz/1 Ph		
5		Water Dump Valve		[1]
5a	000001767	Water Dump Valve - 115V/60 Hz		
5b	000001768	Water Dump Valve - 208-230V/50-60 Hz		
5c	6058459	Water Dump Valve Mounting Bracket		
5d	4420383	Clear Tubing - 0.625" ID		
6		Harvest Valve		
6a	000007035	Solenoid Valve Including 115V/60 Hz Coil		
6b	000005156	Danfoss Solenoid Valve Coil Only - 115V/60 Hz		[2]
6c	000007034	Solenoid Valve Including - 208-230V/50-60 Hz Electrical Coil		
6d	000005157	Danfoss Solenoid Valve Coil Only - 230V/50-60 Hz		[3]
7		Water Inlet Valve with Bracket		
7a	000009120	Water Inlet Valve - 115V/60 Hz/1 Ph		
7b	000009126	Water Inlet Valve - 208-230V/50-60 Hz		
8		Expansion Valve		
8a	7602893	Expansion Valve		
8b	000010522	Expansion Valve Water-cooled		
8c	4000363	Valve Insulation Boot - Body		[4]
8d	4007203	Valve Insulation Boot - Bulb		[5]
9	000008310	Thermistor with Spring Clips		
10	8930259	Drier		
11		Air Assist		
11a	000007222	Air Assist - 115V/60 Hz		
11b	000007223	Air Assist - 230V/50-60 Hz		
11c	4011739	Air Manifold		[6]
11d	000006489	Air Assist Bracket		
11e	3001453	Air Assist - Nozzle		
12	K00424	LuminIce		
12a	K00425	LuminIce Bulb		
12b	000007990	Bulkhead Fitting 2.25"		
12c	000008269	Bulkhead Fitting 2.75"		
13	000010896	Insulated Tube		[7]

I0322 REFRIGERATION COMPARTMENT - COMMON COMPONENTS

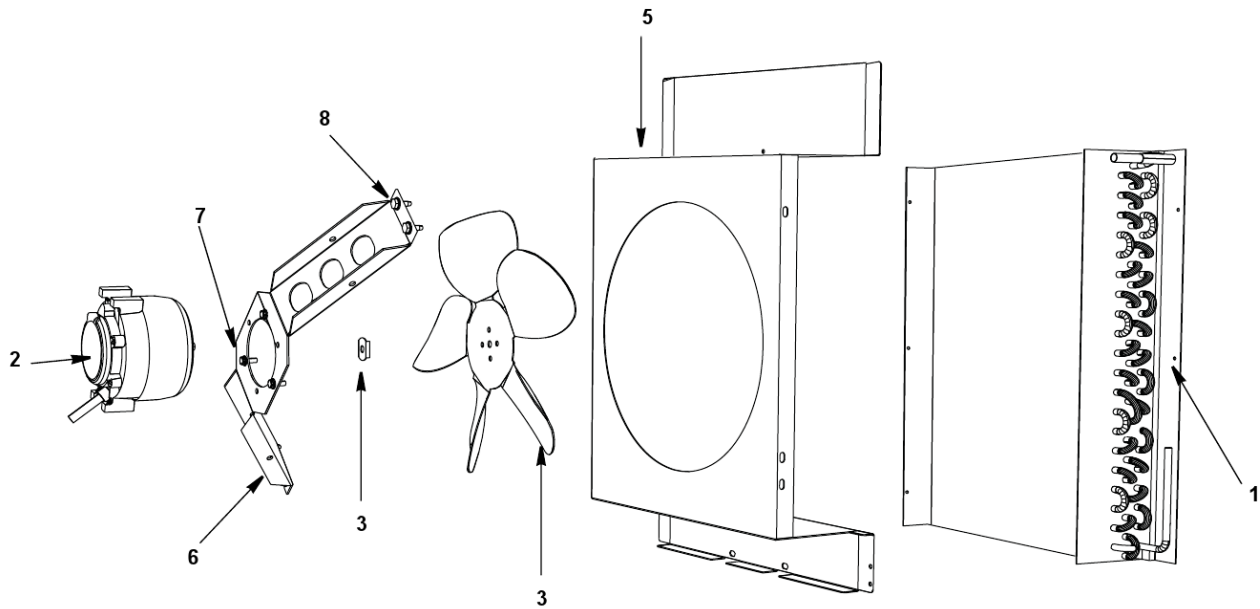
#	PART #	DESCRIPTION	QTY	Note
13a	5650609	Snap Clamp - 1.0" ID		
13b	5650709	Snap Clamp - 0.799"/0.899" ID		
14	000001382	Vinyl Tubing 0.625" ID		[8]
14a	6038831	Insulation 0.88 ID X 0.25W X 13.50L		
14b	5650709	Snap Clamp - 0.799"/0.899" ID		
15	000008364	Manifold Strainer		
15a	6058571	Bracket		
16	2001243	HPCO		[9]
16a	000008876	High Pressure Cut-out - R290 230V/50 Hz/1 Ph		
17	2001263	Fan Cycling Control - 200-250 psig		[10]
17a	000008877	Fan Cycling Control - R290 230V/50 Hz/1 Ph		
18	8706093	Female Wing Adapter - 0.375"		
18a	1360961	Male Connector		
19	4010439	Tubing - Water Inlet Valve		[11]
19a	000000288	Clip-on Tubing Elbow		[12]
20	1360989	Connector - Water Inlet Valve		
21	8706133	Female Wing Adapter - 0.50"		
22		Compressor Mounting - See Note for Usage		
22a	6060269	Compressor Mounting Base		[13]
22b	000010473	Compressor Mounting Base		[14]
22c	8503069	Mounting - Rubber Grommet		
22d	8503949	Mounting - Sleeve		
22e	5004819	Compressor Mounting - Bolt		
22f	5004829	Compressor Mounting - Nut		
23	5650529	Clamp - Expansion Valve Bulb		
24	3000503	Strap - Expansion Valve Bulb - 0.5"		
25	5202069	Screw - #10-24 x 0.50" HEX		

PART NOTES:

- [1] - with bracket
- [2] - \pages from 000005156_02.jpg" width=280 height=256>
- [3] - \pages from 000005156_02.jpg" width=266 height=183>
- [4] - \400036_05.jpg" width=2436 height=1463>
- [5] - \pages from 400720_08.jpg" width=923 height=583>
- [6] - Air Pump Tubing Outlet
- [7] - vinyl tubing from distribution tube to water pump & dump valve
- [8] - dump valve to drain adapter
- [9] - Auto Reset
- [10] - \pages from 200126_09.jpg" width=150 height=306>
- [11] - \pages from 401043_05.jpg" width=1797 height=2238>
- [12] - \pages from 000000288_01.jpg" width=228 height=183>
- [13] - Use on Machines Manufactured Before 7/13
- [14] - Use on Machines Manufactured After 7/13

i0322 Indigo

I0322 REFRIGERATION COMPARTMENT – AIR-COOLED



i0322 Indigo

I0322 REFRIGERATION COMPARTMENT – AIR-COOLED

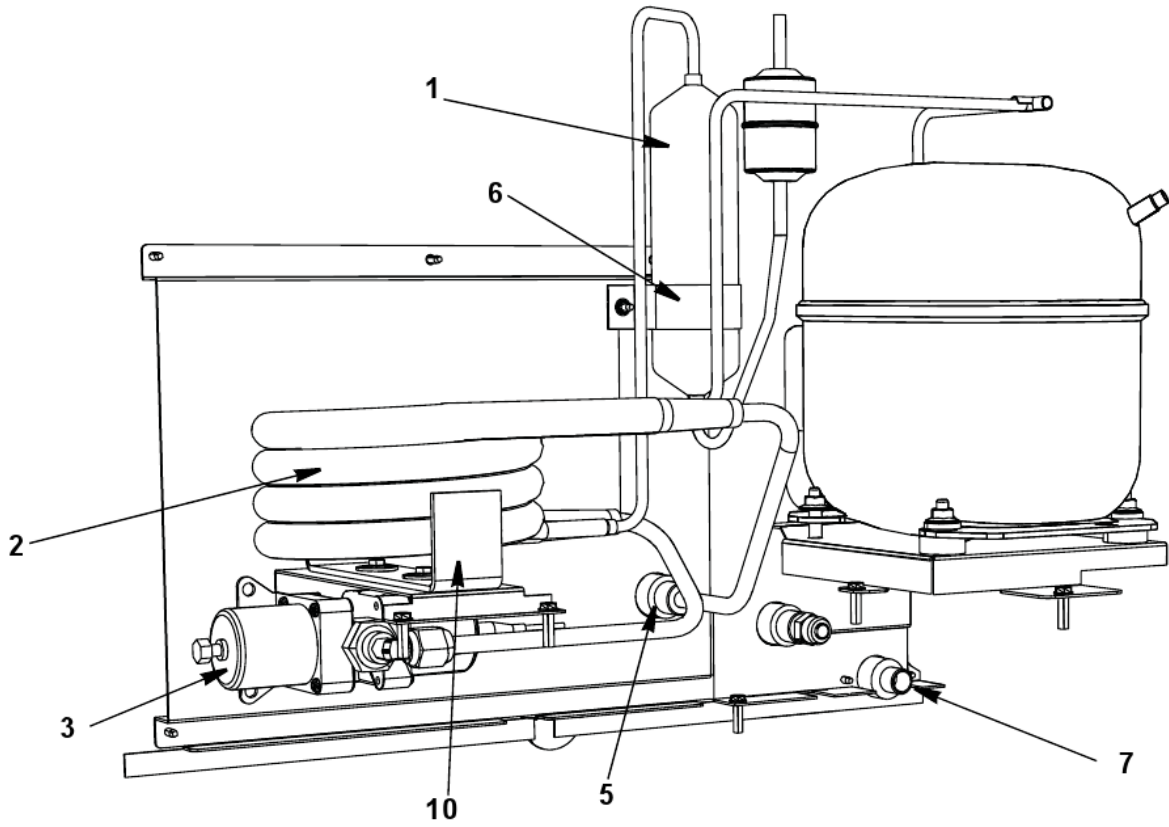
#	PART #	DESCRIPTION	QTY	Note
1	8851303	Air Condenser		
1a	000008871	Air Condenser - R290 230V/50 Hz/1 Ph		
1b	000009060	Air Condenser Mounting Plates - R290 230V/50 Hz/1 Ph		[1]
2		Fan Motor		
2a	2412813	Fan Motor - 115V/60 Hz		
2b	2412823	Fan Motor - 208-230V/50-60 Hz		
3	2416223	Fan Blade		
4	5475079	Speed Nut - 0.25" x 20		
5	6065469	Fan Shroud		
5a	000009009	Fan Shroud - R290 230V/50 Hz/1ph		
6	6027431	Fan Motor Mounting Bracket		
7	5025599	Screw - #8-36 x 0.375"		
8	5202069	Screw - #10-24 x 0.50" HEX		
9	5202069	Screw - #10-24 x 0.50" HEX		

PART NOTES:

[1] - 2

i0322 Indigo

I0322 REFRIGERATION COMPARTMENT – WATER-COOLED



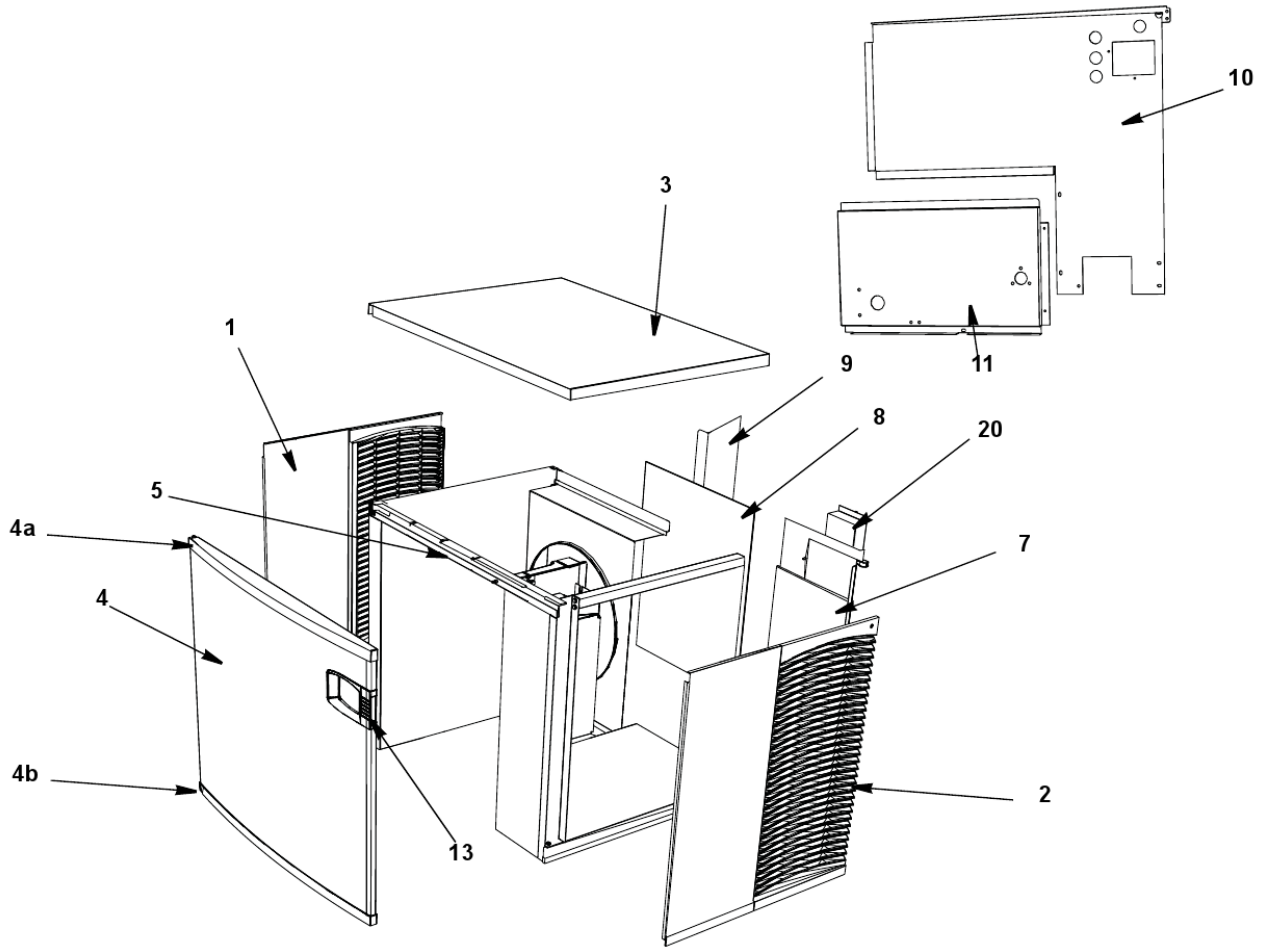
i0322 Indigo

I0322 REFRIGERATION COMPARTMENT – WATER-COOLED

#	PART #	DESCRIPTION	QTY	Note
1	000008892	Receiver		
2	000000045	Water-cooled Condenser		
3	000007546	Water Regulating Valve		
3a	000007695	Bracket - Water Regulating Valve		
4	000007553	Water Regulating Valve - High Pressure		
4a	000007518	Bracket - Water Regulating Valve		
5	8706083	Female Wing Adapter - 0.50"		
6	6000541	Receiver Strap		
7	5002159	Elbow 3/8 MF x 3/8 MPT		
8	5202069	Screw - #10-24 x 0.50" HEX		
9	5573419	Washer		
10	6058659	Base, Water Condenser/Receiver		

i0322 Indigo

I0322 PANELS



i0322 Indigo

I0322 PANELS

#	PART #	DESCRIPTION	QTY	Note
1	000005217	Left Side Panel		
2	000005215	Right Side Panel		
3	4012029	Top Cover		
4	000006579	Front Panel Assembly		
4a	000006560	Front Panel Top Endcap		
4b	000006565	Front Panel Bottom Endcap		
5	000010050	Front Top Support		
5a	5005379	Mounting Screw - #8-32 x 1.0" PHIL		
5b	5005099	Screw - #10-16 x 0.625"		
		Air-cooled Back Panels		
7	000008621	Back Panel with Electrical Connection Box, Air-cooled Models		
7a	000009014	Back Panel - R290 230V/50 Hz/1ph		
8	3005699	Air Filter		
8a	000009076	Air Filter - R290 230V/50 Hz/1ph		
9	000007314	Air Baffle Assembly		
		Water-cooled Back Panels		
10	000008622	Back Panel with Electrical Connection Box		
11	000008022	Back Coupling Panel, Water-cooled Connections		
12	8706083	Female Wing Adapter - 0.50"		
13		Front Panel LCD Frame		
13a	000007046	Front Panel LCD Frame with Key Guard		
13b	000007047	Front Panel LCD Frame without Key Guard		
13c	K00433	Display Cover		[1]
14	5004899	Front Door Screw		
15	7602829	Bottom Door Frame		
15a	5005379	Mounting Screw - #8-32 x 1.0" PHIL		
15b	5202099	Screw - #10-24 x 0.50" PHIL		
16	3005579	Left Door Pivot Leaf Hinge		[2]
16a	5005379	Mounting Screw - #8-32 x 1.0" PHIL		
17	6068649	Left Top Channel		
18	6071451	Right Top Channel		
19	6062939	Left Corner Post		[3]
19a	000010299	Left Corner Post		[4]
20		Electrical Box on Rear of Ice Machine		
20a	6067289	Rear Connection Box		
20b	6067299	Cover - Rear Connection Box		
20c	2006599	Contactorm - 230V/50-60 Hz/1 Ph		
20d	5202169	Screw - #10-24 x 0.50" Ground		
21	7112319	Cartoning		

PART NOTES:

- [1] - hides the display completely
- [2] - Top or Bottom
- [3] - Use on Machines Manufactured Before 7/13

i0322 Indigo

I0322 PANELS

PART NOTES:

[4] - Use on Machines Manufactured After 7/13