



HOSHIZAKI

Parts List

Modular Flaker

Models

F-1501MAJ(-C)

F-1501MWJ(-C), (-SC)

F-1501MRJ(-C), (-SC)



hoshizakiamerica.com

Number: 71374
Issued: 2-3-2017
Revised: 12-12-2019

CONTENTS

Note About Ordering Parts	4
A. Main Assembly & Refrigeration Circuit	5
F-1501MAJ(-C)	5
F-1501MWJ(-C)	9
F-1501MRJ(-C)	13
B. Icemaking Unit	17
C. Water Circuit	19
D. Control Box Assembly	21
E. Accessories & Labels	23

Auxiliary Codes

F-1501MAJ

F-0	June 2016
G-0	January 2017
G-1	April 2017
H-0	January 2018
H-1	April 2018
H-1(M)	December 2018
J-0	January 2019
J-1	May 2019
J-2	July 2019

F-1501MAJ-C

F-0	June 2016
G-0	January 2017
G-1	April 2017
H-0	January 2018
H-1	April 2018
H-0	July 2018
H-1	August 2018
J-0	January 2019
J-1	May 2019
J-2	July 2019

F-1501MWJ

F-0	June 2016
G-0	February 2017
G-1	August 2017
H-0	February 2018
H-1	May 2018
J-0	February 2019
J-1	May 2019
J-2	July 2019

F-1501MWJ-C

F-0	June 2016
G-0	January 2017
G-1	June 2017
H-0	February 2018
H-1	May 2018
J-0	January 2019
J-1	May 2019
J-2	July 2019

F-1501MWJ-SC

J-1	May 2019
J-2	July 2019

F-1501MRJ

F-0	June 2016
G-0	February 2017
G-1	April 2017
H-0	January 2018
H-1	June 2018
J-0	January 2019
J-1	May 2019
J-2	July 2019

F-1501MRJ-C

F-0	June 2016
G-0	January 2017
G-1	April 2017
J-2	June 2019
H-0	January 2018
H-1	April 2018
H-1(M)	December 2018
J-0	January 2019
J-1	May 2019
J-2	July 2019

F-1501MRJ-SC

J-1	May 2019
J-2	July 2019

Auxiliary Code Breakdown

The auxiliary code is the first two characters in the serial number. The first character indicates the year. Years progress or regress in alphabetical order. The series runs from "A" through "V" and the letters "I" and "O" are skipped. The second character indicates significant part changes within a year. Base is "0" and this number advances for each change. In cases where there is a letter in parentheses, this designates the month. This is the last character in the serial number. The series runs from "(A)" through "(M)" and the letter "(I)" is skipped. This designation is only included when identifying a parts change within an auxiliary code.

Note About Ordering Parts

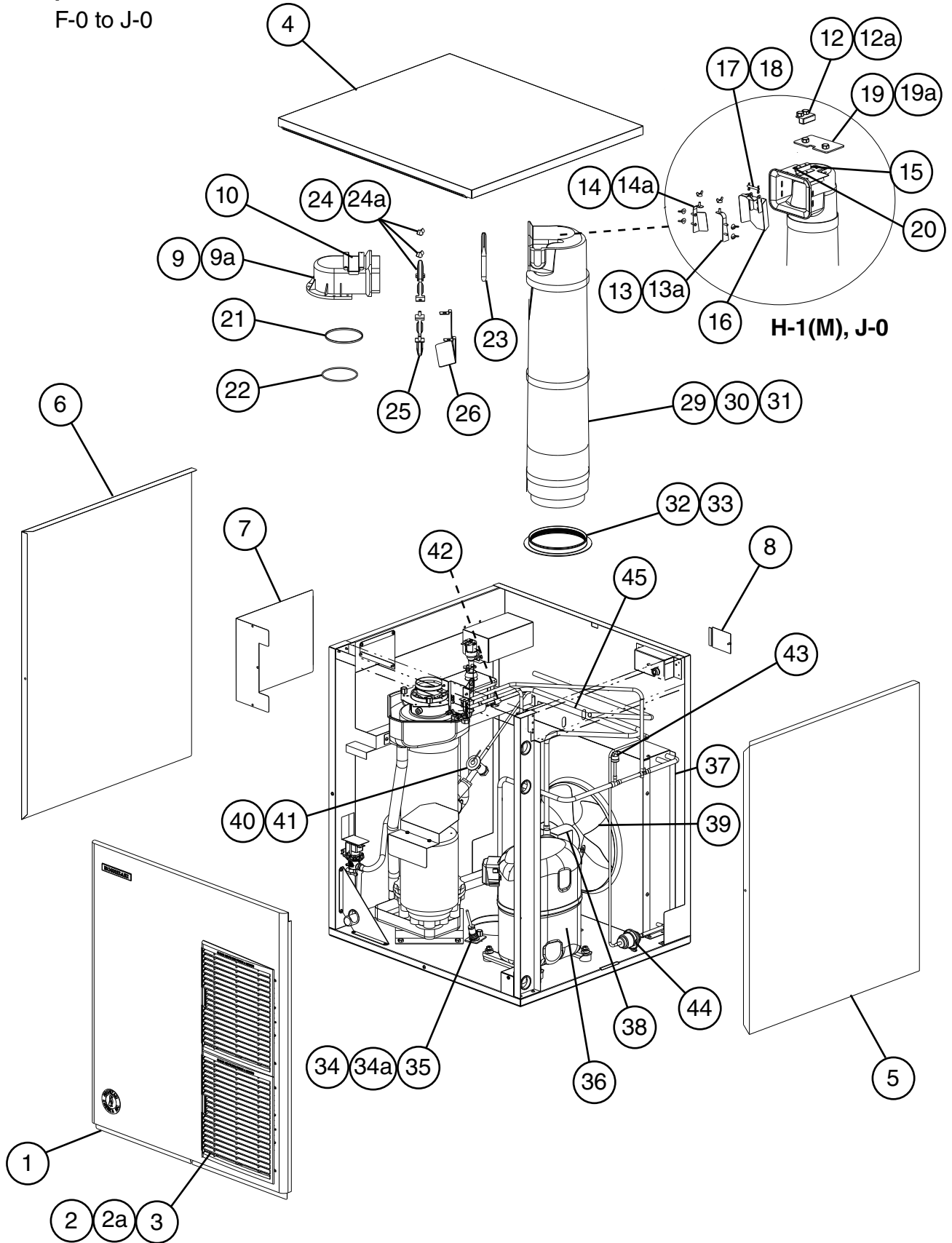
Most assemblies cannot be ordered as complete units; parts in the assemblies generally must be ordered separately.

A. Main Assembly & Refrigeration Circuit

F-1501MAJ(-C)

1/2

F-0 to J-0

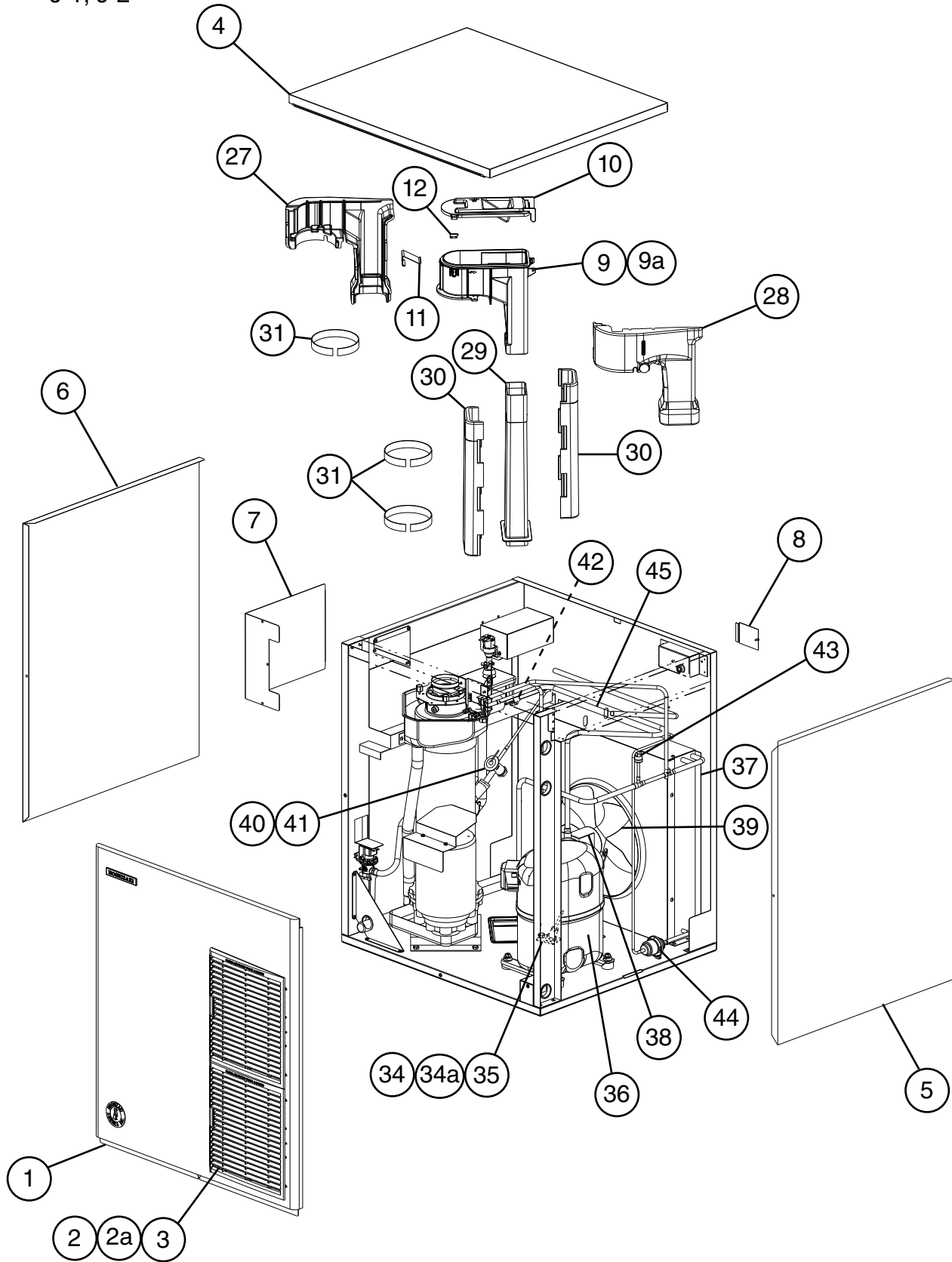


A. Main Assembly & Refrigeration Circuit

F-1501MAJ(-C)

2/2

J-1, J-2



Title: A. Main Assembly & Refrigeration Circuit Model: F-1501MAJ(-C)												
Index No.	Description	Material or Model Number	Part Number	Required Number								
				F-0 to G-0	G-1 to H-1 (L)	H-1 (M) J-0	J-1 J-2					
Main Assembly												
1	Front Panel (includes items 2, 2a, and 3)		2A9194A01	1	1	1	1					
2	Louver		1A0547-01	2	2	2	2					
2a	Push Retainer		4A2414-01	6	6	6	6					
3	Air Filter		2A2062G01	2	2	2	2					
4	Top Panel		2A8088-01	1	1	1	1					
5	Right Side Panel		2A2077G01	1	1	1	1					
6	Left Side Panel		2A2076G01	1	1	1	1					
7	Control Box Cover		3A7897-01	1	1	1	1					
8	Junction Box Cover		433410-01	1	1	1	1					
9	Spout		105378G01	1	1	1	-					
			122383P01				1					
9a	Thumbscrew		415949G10	3	3	3	-					
	Truss Head Screw		7C32-0416				3					
10	Spout Cover		4A5174-01	1	1	1	-					
			263888G01				1					
11	Spout Spring		478013M01				1					
12	Bin Control 2 Proximity Switch (mechanical bin control)		4A2033-01			1	-					
			P02940-01				1					
12a	Thumbscrew		415949G08			2	-					
13	Chute Baffle A		341012G01			1	-					
13a	Wing Nut		7E12-0400			3	-					
14	Chute Baffle B		341013G01			1	-					
14a	Wing Nut		7E12-0400			3	-					
15	Bin Control 2 Bracket (mechanical bin control)		3A1744G01			1	-					
16	Actuator		436848G02			1	-					
17	Shaft		436851-01			1	-					
18	Snap Pin		715S-0005			2	-					
19	Plate		4A2039-01			1	-					
19a	Thumbscrew		415949G10			2	-					
20	Truss Head Screw (ground)		7C32-0408			1	-					
21	O-Ring		4A4755-05	1	1	1	-					
22	Nylon Ring		431736-01	1	1	1	-					
23	Spout-to-Chute Packing		327040-01	1	1	1	-					
24	Upper Spout-to-Chute Strap		3A6912-02	1	1	1	-					
24a	Wing Nut		7E12-0600	2	2	2	-					
25	Lower Spout-to-Chute Strap		3A6913G01	1	1	1	-					
26	Drip Guide		3A1628-01	1	1	1	-					
27	Spout Insulation A		3A9762-01				1					
28	Spout Insulation B		3A9763-01				1					
29	Chute	Round Base	216219-04	1	1	-						
			216219-01			1	-					
		Square Base	263897P02				1					
30	Chute Insulation	Round Base	216220-01	1	1	1	-					
		Square Base	3B0065-01				2					

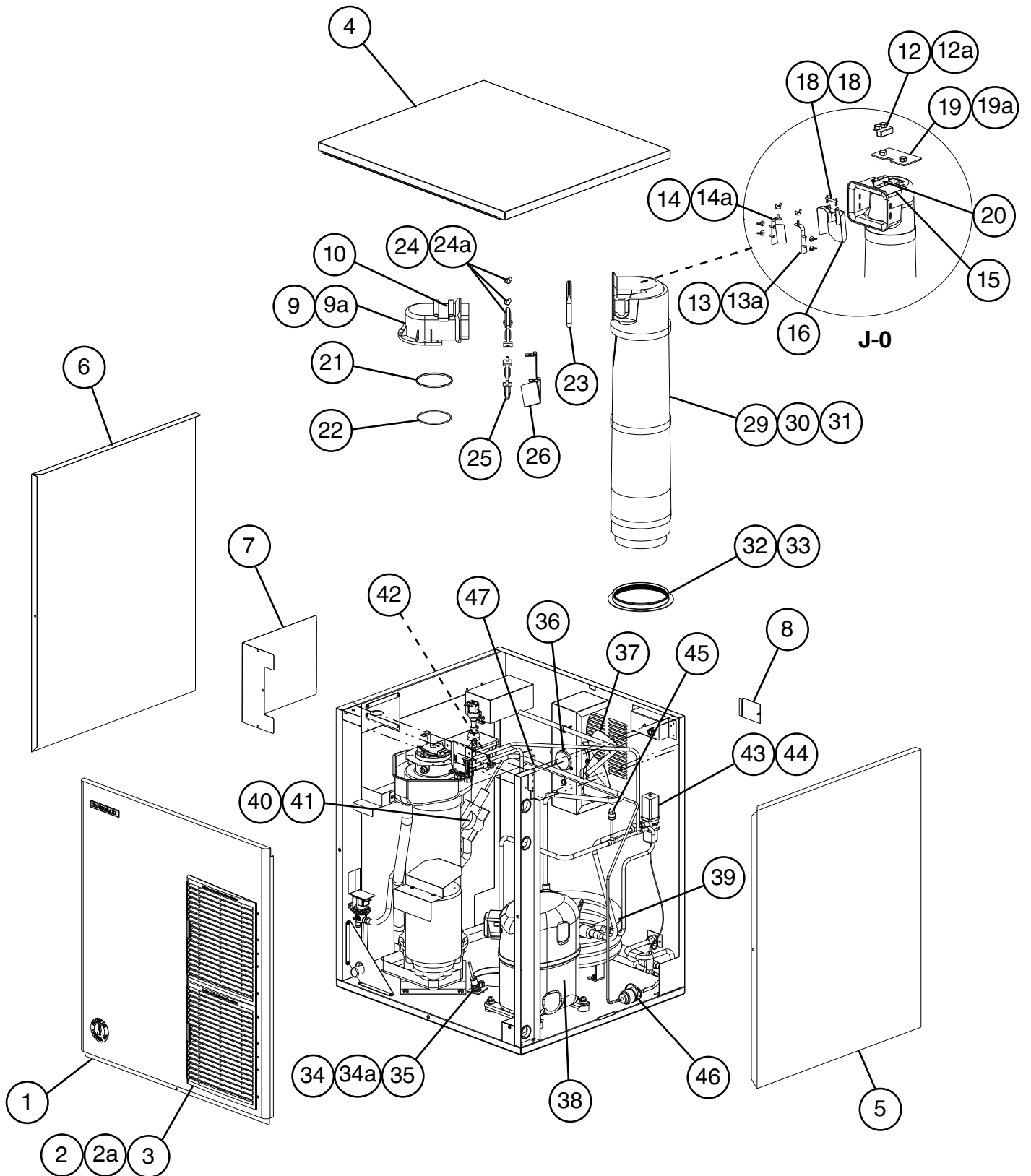
Title: A. Main Assembly & Refrigeration Circuit Model: F-1501MAJ(-C)												
Index No.	Description	Material or Model Number	Part Number	Required Number								
				F-0 to G-0	G-1 to H-1 (L)	H-1 (M) J-0	J-1 J-2					
31	Insulation Strap (Tie)		436531G02	3	-							
			436531G01				3					
32	Chute Packing		432877-02	1	1	1	-					
33	Ring		327427-01	1	1	1	-					
34	Bin Control Housing (infrared sensor)		3A3478-01	1	1	1	1					
34a	Thumbscrew		415949G10	1	1	1	1					
35	Bin Control (infrared sensor)		4A4469-01	1	1	1	1					
Refrigeration Circuit												
36	Compressor		4A1539-03	1	1	1	1					
37	Condenser		2A2215-01	1	1	1	1					
38	Fan Motor		4A3158-01	1	1	1	1					
39	Fan Blade		4A0197-01	1	1	1	1					
40	Thermostatic Expansion Valve		4A1117-01	1	1	1	1					
41	Thermostatic Expansion Valve Cover		4A1168-01	1	1	1	1					
42	Clamp		4A5641-01	1	1	1	1					
43	High-Pressure Switch		463180-05	1	1	1	1					
44	Drier		4A1113-01	1	1	1	1					
45	Heat Exchanger		3A2978G01	1	1	1	1					

A. Main Assembly & Refrigeration Circuit

F-1501MWJ(-C)

1/2

F-0 to J-0

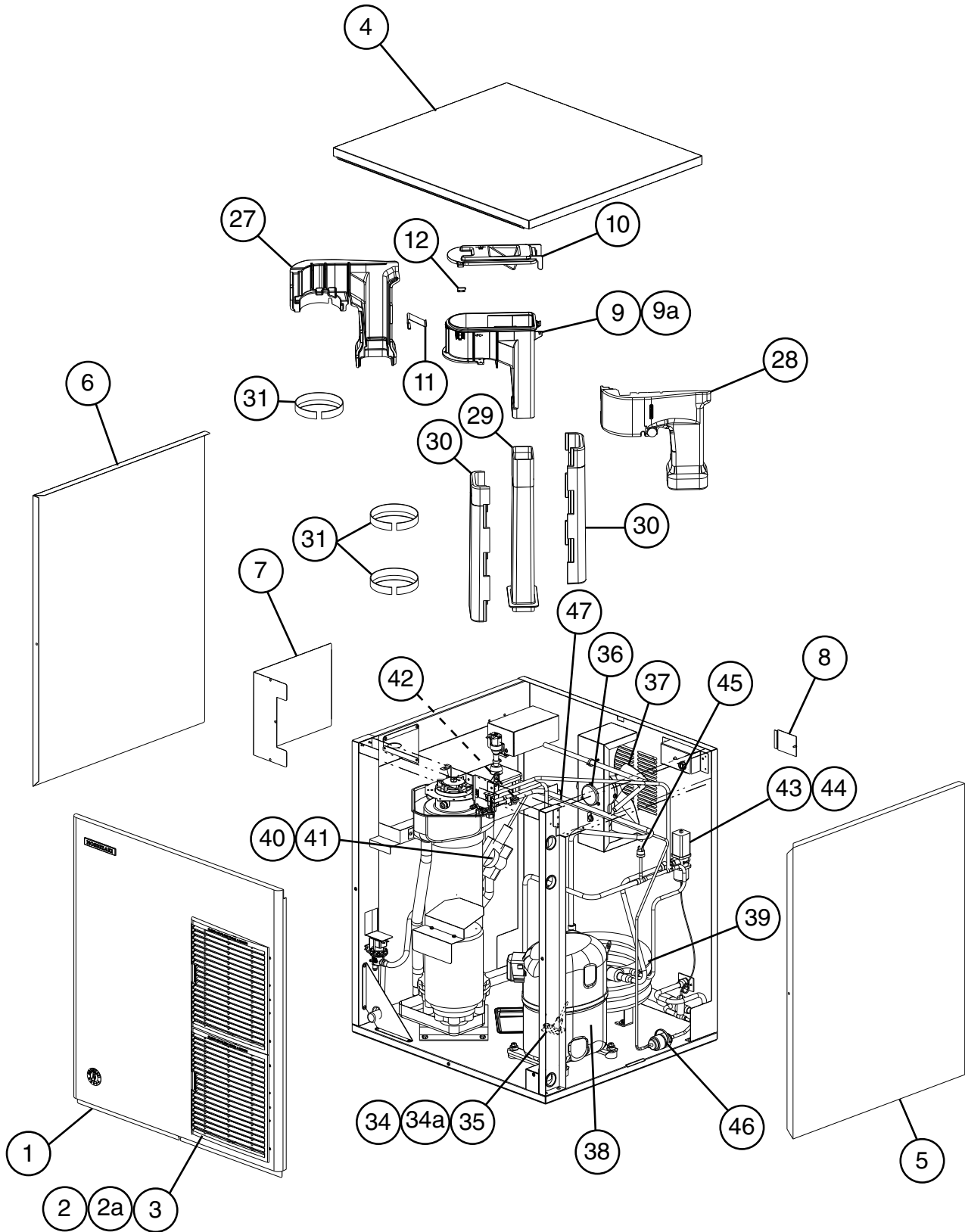


A. Main Assembly & Refrigeration Circuit

F-1501MWJ(-C)(-SC)

2/2

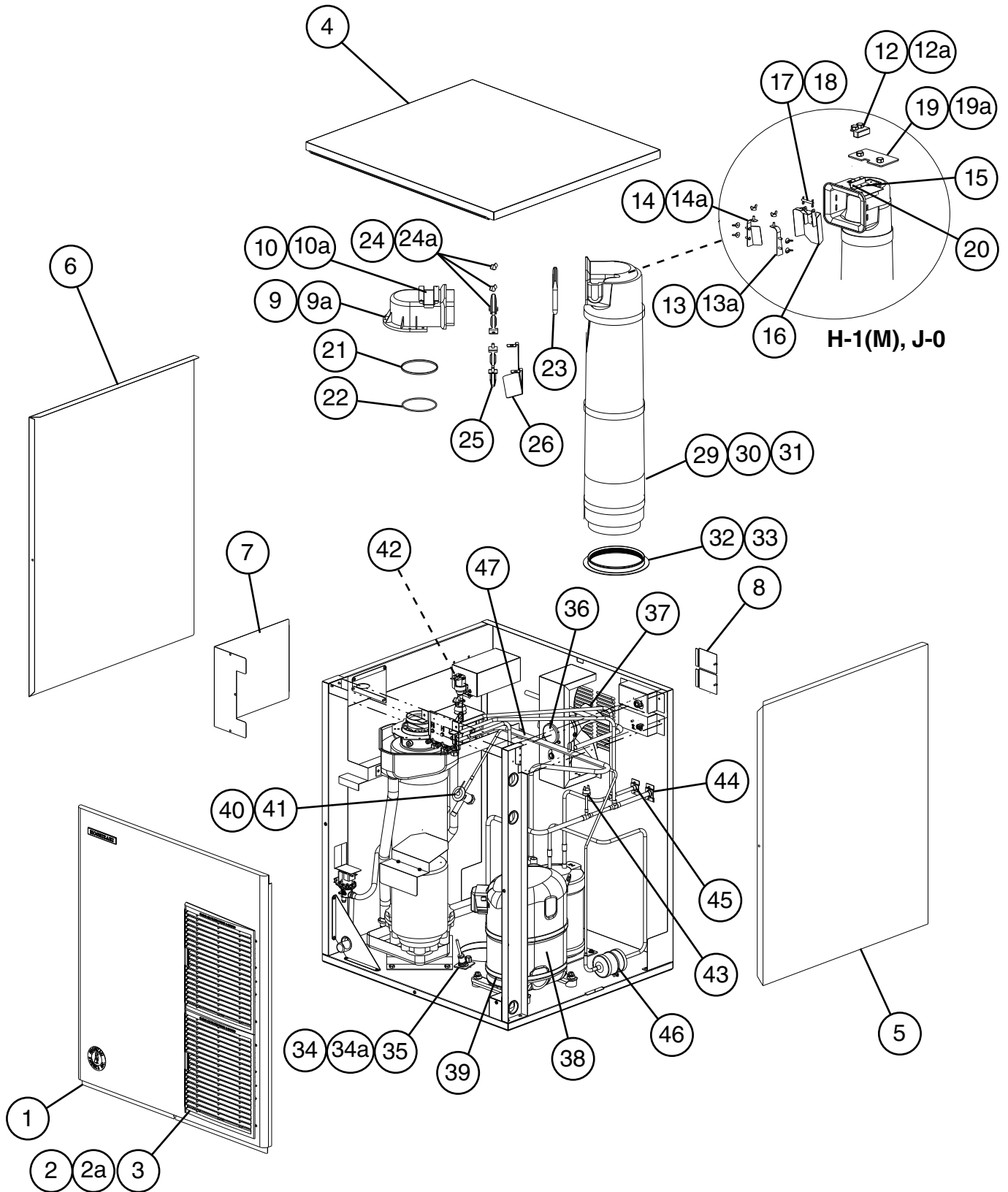
J-1, J-2



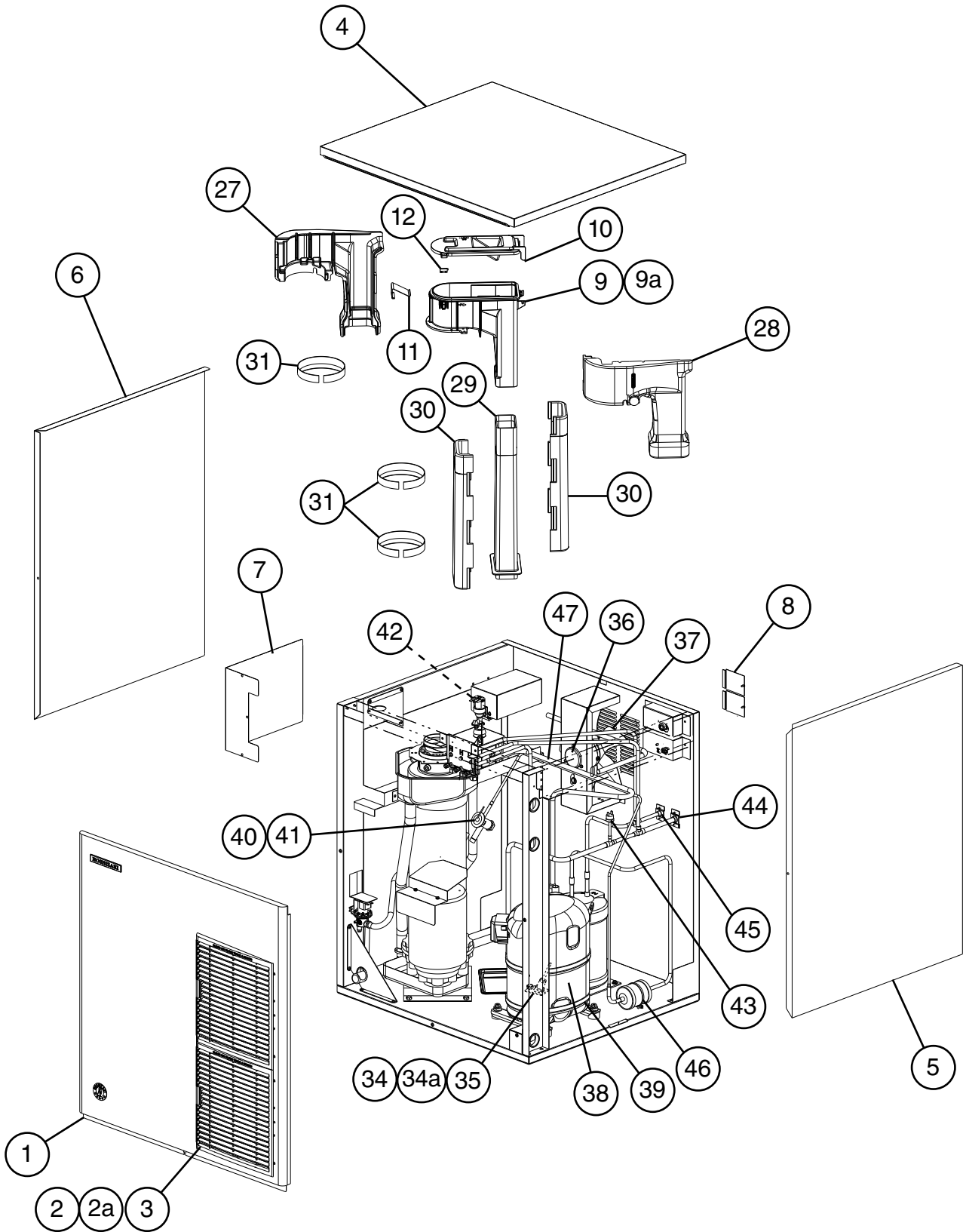
Title: A. Main Assembly & Refrigeration Circuit Model: F-1501MWJ(-C)(-SC)												
Index No.	Description	Material or Model Number	Part Number	Required Number								
				F-0 to G-0	G-1 to H-1	J-0	J-1	J-2				
Main Assembly												
1	Front Panel (includes items 2, 2a, and 3)		2A9194A01	1	1	1	1					
2	Louver		1A0547-01	1	1	1	2					
2a	Push Retainer		4A2414-01	3	3	-						
3	Air Filter		2A2062G01	1	1	1	2					
4	Top Panel		2A8088-01	1	1	1	1					
5	Right Side Panel		2A2077G01	1	1	1	1					
6	Left Side Panel		2A2076G01	1	1	1	1					
7	Control Box Cover		3A7897-01	1	1	1	1					
8	Junction Box Cover		433410-01	1	1	1	1					
9	Spout		105378G01	1	1	1	-					
			122383P01				1					
9a	Thumbscrew Truss Head Screw		415949G11	3	3	3	-					
			7C32-0416				3					
10	Spout Cover		4A5174-01	1	1	1	-					
			263888G01				1					
11	Spout Spring		478013M01				1					
12	Bin Control 2 Proximity Switch (mechanical bin control)		4A2033-01			1	-					
			P02940-01				1					
12a	Thumbscrew		415949G08			2	-					
13	Chute Baffle A		341012G01			1	-					
13a	Wing Nut		7E12-0400			3	-					
14	Chute Baffle B		341013G01			1	-					
14a	Wing Nut		7E12-0400			3	-					
15	Bin Control 2 Bracket (mechanical bin control)		3A1744G01			1	-					
16	Actuator		436848G02			1	-					
17	Shaft		436851-01			1	-					
18	Snap Pin		715S-0005			2	-					
19	Plate		4A2039-01			1	-					
19a	Thumbscrew		415949G10			2	-					
20	Truss Head Screw (ground)		7C32-0408			1	-					
21	O-Ring		4A4755-05	1	1	1	-					
22	Nylon Ring		431736-01	1	1	1	-					
23	Spout-to-Chute Packing		327040-01	1	1	1	-					
24	Upper Spout-to-Chute Strap		3A6912-02	1	1	1	-					
24a	Wing Nut		7E12-0600	2	2	2	-					
25	Lower Spout-to-Chute Strap		3A6913G01	1	1	1	-					
26	Drip Guide		3A1628-01	1	1	1	-					
27	Spout Insulation A		3A9762-01				1					
28	Spout Insulation B		3A9763-01				1					
29	Chute	Round Base	216219-04	1	1	-						
			216219-01			1	-					
		Square Base	263897P02				1					
30	Chute Insulation	Round Base	216220-01	1	1	1	-					
		Square Base	3B0065-01				2					

Title: A. Main Assembly & Refrigeration Circuit Model: F-1501MWJ(-C)(-SC)												
Index No.	Description	Material or Model Number	Part Number	Required Number								
				F-0 to G-0	G-1 to H-1	J-0	J-1 J-2					
31	Insulation Strap (Tie)		436531G02	3	-							
			436531G01				3					
32	Chute Packing		432877-02	1	1	1	-					
33	Ring		327427-01	1	1	1	-					
34	Bin Control Housing (infrared sensor)		3A3478-01	1	1	1	1					
34a	Thumbscrew		415949G10	1	1	1	1					
35	Bin Control (infrared sensor)		4A4469-01	1	1	1	1					
36	Fan Motor		440917-01	1	1	1	1					
37	Fan Blade		434959-01	1	1	1	1					
Refrigeration Circuit												
38	Compressor		4A1539-03	1	1	1	1					
39	Condenser		3A7236-01	1	1	1	1					
40	Thermostatic Expansion Valve		4A1117-01	1	1	1	1					
41	Thermostatic Expansion Valve Cover		4A1168-01	1	1	1	1					
42	Clamp		4A5641-01	1	1	1	1					
43	Water Regulating Valve		4A0911-08	1	1	1	1					
44	Male Connector		4A1087-01	1	1	1	1					
45	High-Pressure Switch		463180-05	1	1	1	1					
46	Drier		4A1113-01	1	1	1	1					
47	Heat Exchanger		3A3025G01	1	1	1	1					

A. Main Assembly & Refrigeration Circuit
F-1501MRJ(-C)
 1/2
 F-0 to J-0



A. Main Assembly & Refrigeration Circuit
F-1501MRJ(-C)(-SC)
2/2
 J-1, J-2



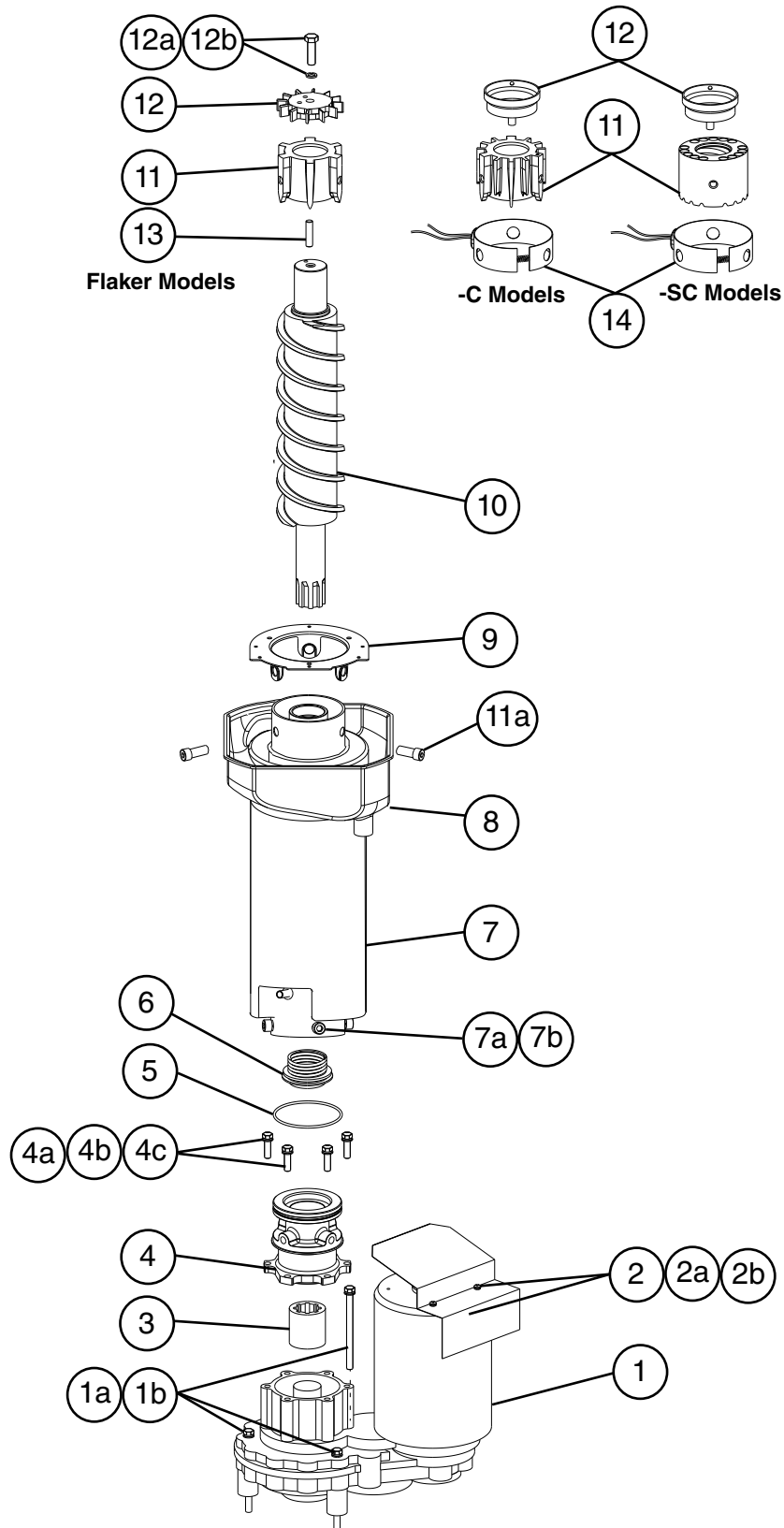
Title: A. Main Assembly & Refrigeration Circuit Model: F-1501MRJ(-C)(-SC)												
Index No.	Description	Material or Model Number	Part Number	Required Number								
				F-0 to H-1 (N)	G-1 to H-1 (L)	H-1 (M) J-0	J-1 J-2					
Main Assembly												
1	Front Panel (includes items 2, 2a, and 3)		2A9194A01	1	1	1	1					
2	Louver		1A0547-01	1	1	1	2					
2a	Push Retainer		4A2414-01	3	3	3	-					
3	Air Filter		2A2062G01	1	1	1	2					
4	Top Panel		2A8088-01	1	1	1	1					
5	Right Side Panel		2A2077G01	1	1	1	1					
6	Left Side Panel		2A2076G01	1	1	1	1					
7	Control Box Cover		3A7897-01	1	1	1	1					
8	Junction Box Cover		433410-01	2	2	2	2					
9	Spout		105378G01	1	1	1	-					
			122383P01				1					
9a	Thumbscrew		415949G11	3	3	3	-					
	Truss Head Screw		7C32-0416				3					
10	Spout Cover		4A5174-01	1	1	1	-					
			263888G01				1					
10a	Truss Head Screw		7C32-0408	2	2	2	-					
11	Spout Spring		478013M01				1					
12	Bin Control 2 Proximity Switch (mechanical bin control)		4A2033-01			1	-					
			P02940-01				1					
12a	Thumbscrew		415949G08			2	-					
13	Chute Baffle A		341012G01			1	-					
13a	Wing Nut		7E12-0400			3	-					
14	Chute Baffle B		341013G01			1	-					
14a	Wing Nut		7E12-0400			3	-					
15	Bin Control 2 Bracket (mechanical bin control)		3A1744G01			1	-					
16	Actuator		436848G02			1	-					
17	Shaft		436851-01			1	-					
18	Snap Pin		715S-0005			2	-					
19	Plate		4A2039-01			1	-					
19a	Thumbscrew		415949G10			2	-					
20	Truss Head Screw (ground)		7C32-0408			1	-					
21	O-Ring		4A4755-05	1	1	1	-					
22	Nylon Ring		431736-01	1	1	1	-					
23	Spout-to-Chute Packing		327040-01	1	1	1	-					
24	Upper Spout-to-Chute Strap		3A6912-02	1	1	1	-					
24a	Wing Nut		7E12-0600	2	2	2	-					
25	Lower Spout-to-Chute Strap		3A6913G01	1	1	1	-					
26	Drip Guide		3A1628-01	1	1	1	-					
27	Spout Insulation A		3A9762-01				1					
28	Spout Insulation B		3A9763-01				1					
29	Chute	Round Base	216219-04	1	1	-						
			216219-01			1	-					
		Square Base	263897P02				1					

Title: A. Main Assembly & Refrigeration Circuit Model: F-1501MRJ(-C)(-SC)												
Index No.	Description	Material or Model Number	Part Number	Required Number								
				F-0 to H-1 (N)	G-1 to H-1 (L)	H-1 (M) J-0	J-1 J-2					
30	Chute Insulation	Round Base	216220-01	1	1	1	-					
		Square Base	3B0065-01				2					
31	Insulation Strap (Tie)		436531G02	3	-							
			436531G01				3					
32	Chute Packing		432877-02	1	1	1	-					
33	Ring		327427-01	1	1	1	-					
34	Bin Control Housing (infrared sensor)		3A3478-01	1	1	1	1					
34a	Thumbscrew		415949G10	1	1	1	1					
35	Bin Control (infrared sensor)		4A4469-01	1	1	1	1					
36	Fan Motor		440917-01	1	1	1	1					
37	Fan Blade		434959-01	1	1	1	1					
Refrigeration Circuit												
38	Compressor		4A1539-03	1	1	1	1					
39	Crankcase Heater		4A5397-02	1	1	1	1					
40	Thermostatic Expansion Valve		4A1117-01	1	1	1	1					
41	Thermostatic Expansion Valve Cover		4A1168-01	1	1	1	1					
42	Clamp		4A5641-01	1	1	1	1					
43	High-Pressure Switch		463180-05	1	1	1	1					
44	Discharge Line Coupling		434072-01	1	1	1	1					
45	Liquid Line Coupling		426554-01	1	1	1	1					
46	Drier		4A1338-01	1	1	1	1					
47	Heat Exchanger		3A2995G01	1	1	1	1					

B. Icemaking Unit

F-1501MAJ(-C), F-1501MWJ(-C)(-SC), F-1501MRJ(-C)(-SC)

F-0 to J-2

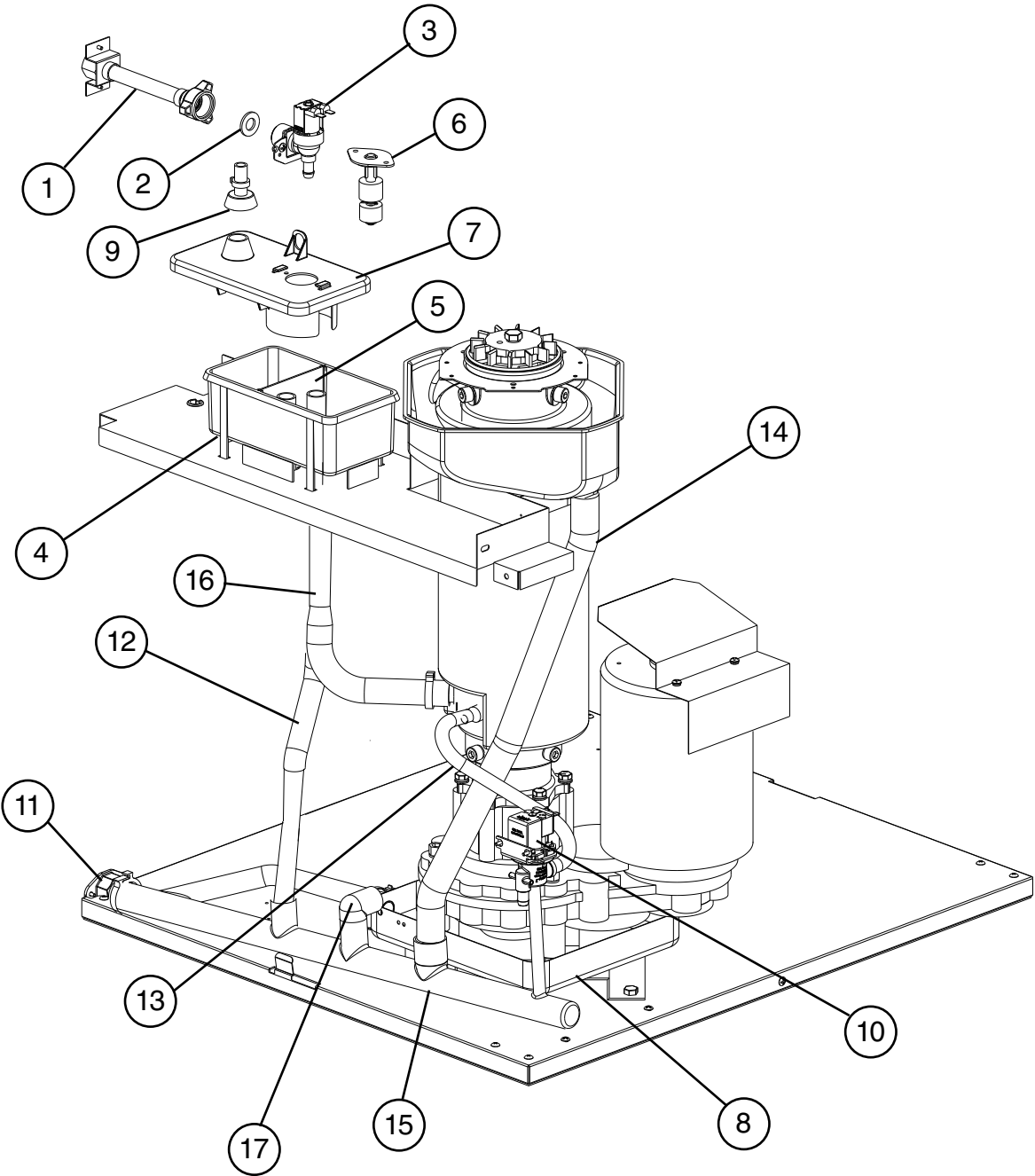


Title: B. Icemaking Unit Model: F-1501MAJ(-C), F-1501MWJ(-C)(-SC), F-1501MRJ(-C)(-SC)											
Index No.	Description	Material or Model Number	Part Number	F-0 to J-2	Required Number						
1	Gear Motor		2U0129-01	1							
1a	Gear Motor Bolt		420600-02	3							
1b	Washer		7L22-1000	3							
2	Gear Motor Barrier		3A1639-01	1							
2a	Truss Head Screw	4x8	7C32-0408	2							
2b	Rubber Washer		4A5268-01	2							
3	Spline Coupling		420372-01	1							
4	Housing		206509G02	1							
4a	Hex Head Bolt	8x30	4A5640-01	6							
4b	Plain Washer		7W22-0800	6							
4c	Split Lock Washer		7L22-0800	6							
5	O-Ring		4A4755-04	1							
6	Mechanical Seal		432493-01	1							
7	Evaporator		2A7005G01	1							
7a	Socket Head Cap Screw	8x12	7S12-1020	4							
7b	Split Lock Washer		7L22-0800	4							
8	Drip Pan		2A6885-01	1							
9	Flange		352714-01	1							
10	Auger		120864G02	1							
11	Extruding Head	F-1501MAJ F-1501MWJ F-1501MRJ	216407G02	1							
		F-1501MAJ-C F-1501MWJ-C F-1501MRJ-C	264203G02	1							
		F-1501MWJ-SC F-1501MRJ-SC	3B0044G01	1							
11a	Seal Bolt		474757G02	3							
12	Cutter	F-1501MAJ F-1501MWJ F-1501MRJ	327026-01	2							
		F-1501MAJ-C F-1501MWJ-C F-1501MRJ-C F-1501MWJ-SC F01501MRJ-SC	315736G01	1							
12a	Hex Head Bolt	F-1501MAJ F-1501MWJ F-1501MRJ	7B02-1035	1							
12b	Split Lock Washer	F-1501MAJ F-1501MWJ F-1501MRJ	7L22-1000	1							
13	Dowel Pin	F-1501MAJ F-1501MWJ F-1501MRJ	713S-0526	1							
14	Evaporator Heater	F-1501MAJ-C F-1501MWJ-C F-1501MRJ-C F-1501MRJ-SC	4A4335-01	1							

C. Water Circuit

F-1501MAJ(-C), F-1501MWJ(-C)(-SC), F-1501MRJ(-C)(-SC)

F-0 to J-2

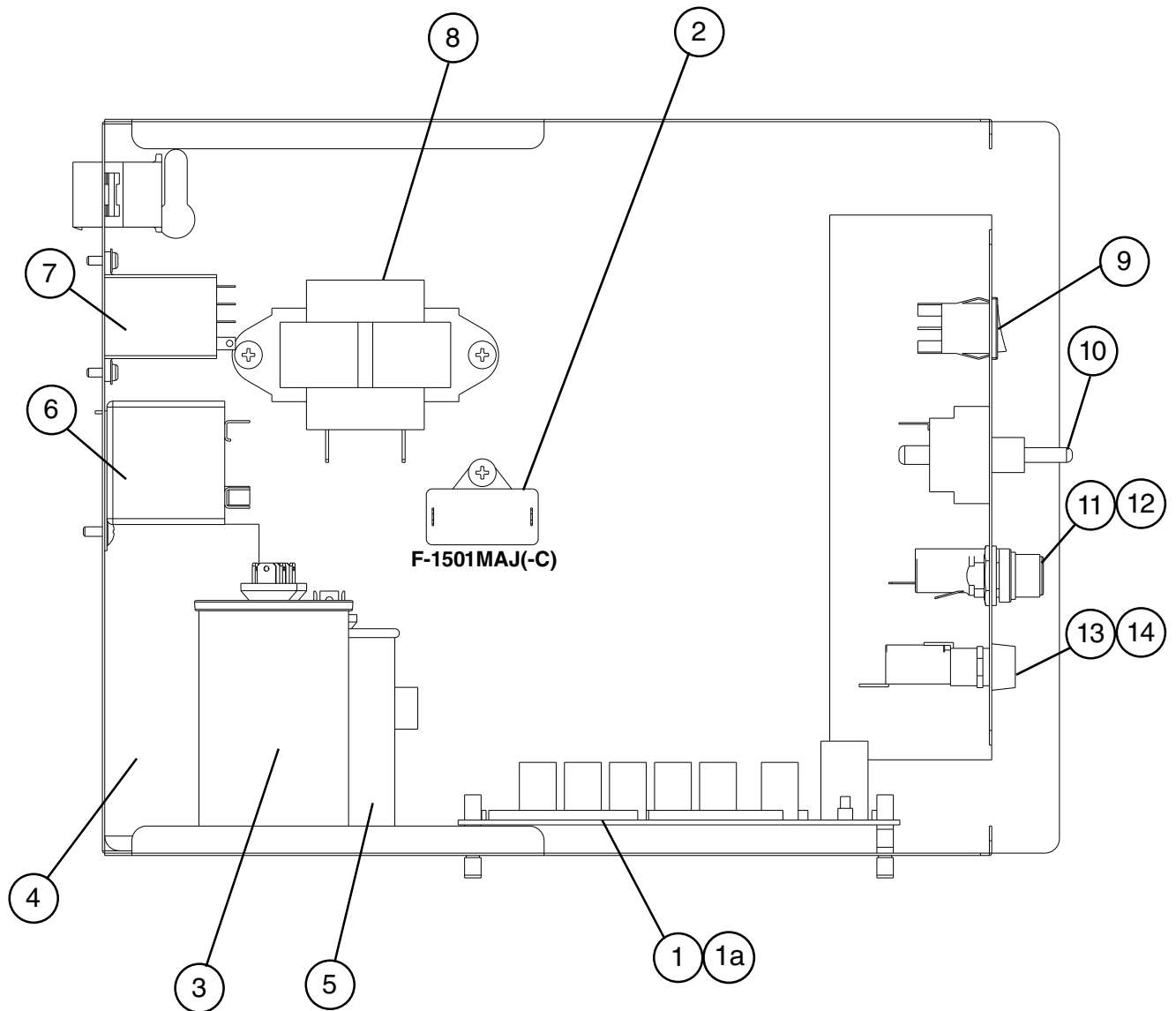


Title: C. Water Circuit Model: F-1501MAJ(-C), F-1501MWJ(-C)(-SC), F-1501MRJ(-C)(-SC)										
Index No.	Description	Material or Model Number	Part Number	Required Number						
				F-0 to J-2						
1	Water Supply Pipe		4A0891G02	1						
2	Rubber Gasket		413854-03	1						
3	Inlet Water Valve		4A5309-01	1						
4	Reservoir		2A0753-01	1						
5	Reservoir Separator		4A1255-01	1						
6	Float Switch		435490-01	1						
7	Reservoir Cover		214810-01	1						
8	Drain Pan		219358G01	1						
9	Inlet Reservoir		4A0869-01	1						
10	Drain Valve		4A2772-02	1						
11	Drain Fitting		4A5528-01	1						
12	Vinyl Hose (reservoir overflow)	L=510	7725-1923	1						
13	Silicone Hose (drain valve)	L=320	773013896	1						
14	Vinyl Hose (drip pan)	L=580	4A0658L01	1						
15	Drain Hose		3A7490-01	1						
16	Reservoir Hose (evaporator inlet)		428615-04	1						
17	Elbow		4A5624-01	1						
Clamps										
	Hose Clamp		4A2017-01	1						
	Hose Clamp		4A2017-02	1						
	Hose Clamp		4A2017-03	1						
	Hose Clamp		4A2017-06	1						
	Hose Clamp		4A2017-08	1						

D. Control Box Assembly

F-1501MAJ(-C), F-1501MWJ(-C)(-SC), F-1501MRJ(-C)(-SC)

F-0 to J-2

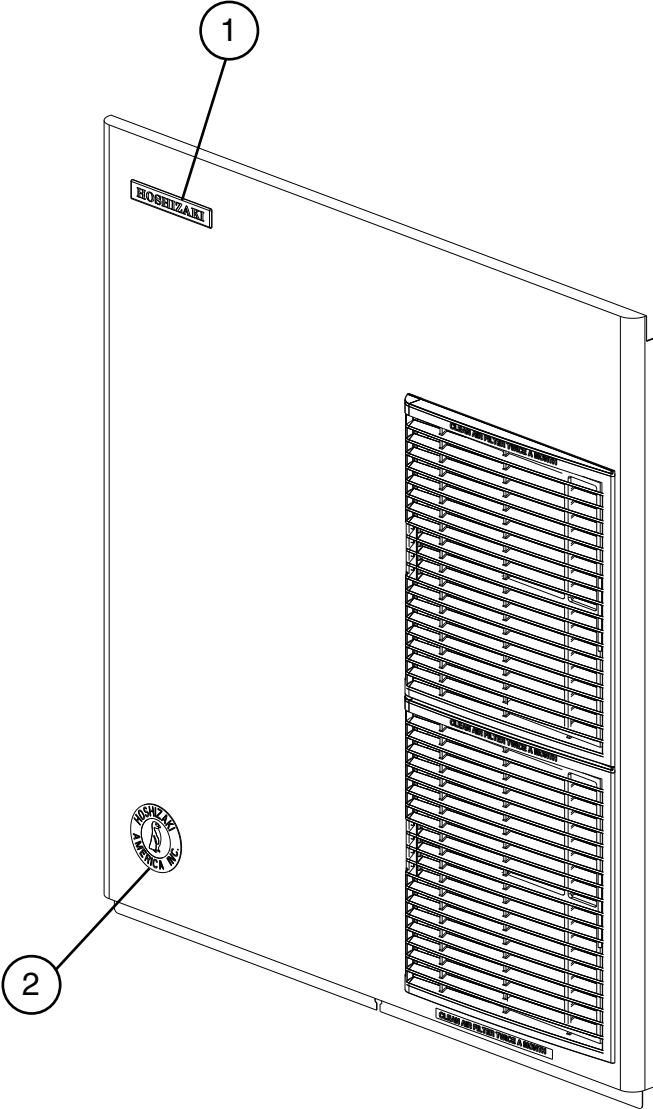


Title: D. Control Box Assembly Model: F-1501MAJ(-C), F-1501MWJ(-C)(-SC), F-1501MRJ(-C)(-SC)									
Index No.	Description	Material or Model Number	Part Number	Required Number					
				F-0 to J-1	J-2				
1	Control Board		2A9093-01	1	1				
1a	Control Board Support		4A0336-03	4	4				
2	Fan Motor Capacitor	F-1501MAJ(-C) 5MFD, 250VAC	4A6435-02	1	1				
3	Gear Motor Capacitor	65MFD, 370VAC	4A5450-01	1	1				
4	Start Capacitor	145-174MFD, 220VAC	3A0076-11	1	1				
5	Run Capacitor	30MFD, 370VAC	3A2005-03	1	1				
6	Start Relay		4A1107-13	1	1				
7	Compressor Control Relay	115VAC	4A6558-01	1	1				
8	Control Transformer		4A0557-01	1	1				
9	Control Switch		4A0558-01	1	1				
10	Power Switch		4A2332-01	1	1				
11	Fuse Holder (Control)		4A5443-01	1	1				
12	Fuse (Control)	1A, 250VAC	4A0893-01	1	1				
13	Fuse Holder (Gear Motor)		4A3449-02	1	-				
			4A6101-01		1				
14	Fuse (Gear Motor)	7A, 125VAC Slow Blow	4A3804-01	1	1				

E. Accessories & Labels

F-1501MAJ(-C), F-1501MWJ(-C)(-SC), F-1501MRJ(-C)(-SC)

F-0 to J-2



Title: E. Accessories & Labels Model: F-1501MAJ(-C), F-1501MWJ(-C)(-SC), F-1501MRJ(-C)(-SC)										
Index No.	Description	Material or Model Number	Part Number	Required Number						
				F-0 to J-2						
1	Hoshizaki Emblem Label		4A0560-01	1						
2	Penguin Label		475552L02	1						
3	Universal Brace		4A0363-01	2						
3a	Hex Head Bolt		7B02-0512	2						