



## Gallon Stand

Model No: 1660

The Gallon Stand is a freestanding unit to hold (2) one gallon jugs with pumps. Place stand on a sturdy level surface for use and follow the product manufacturer's instructions for product handling and use.

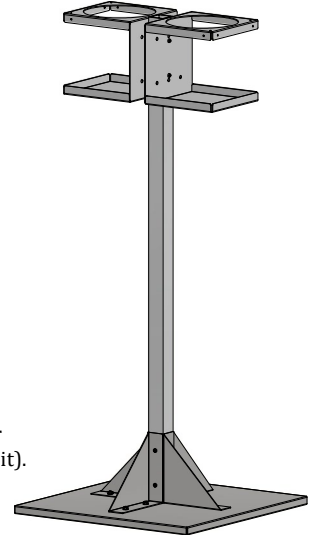
### Items Needed for Assembly

(not included with unit)

- Philips Head Screwdriver
- Adjustable Wrench



Gallon jugs with pumps shown for reference only (not included with unit).

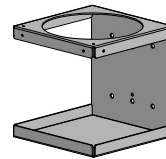
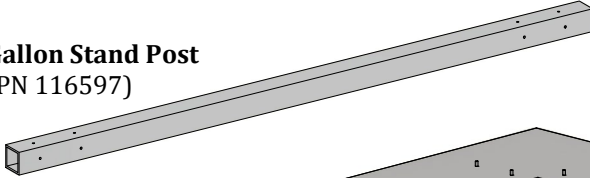


### Items Included in Unit

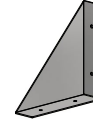
(x12) 8-32 x 3/8" Screw (PN 74141)

(x8) 8-32 Flange Nut (PN 61151)

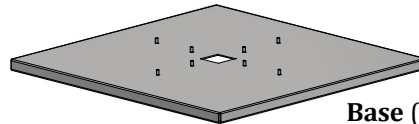
**Gallon Stand Post**  
(PN 116597)



**Gallon Mount Bracket**  
(PN 116590) (x2)



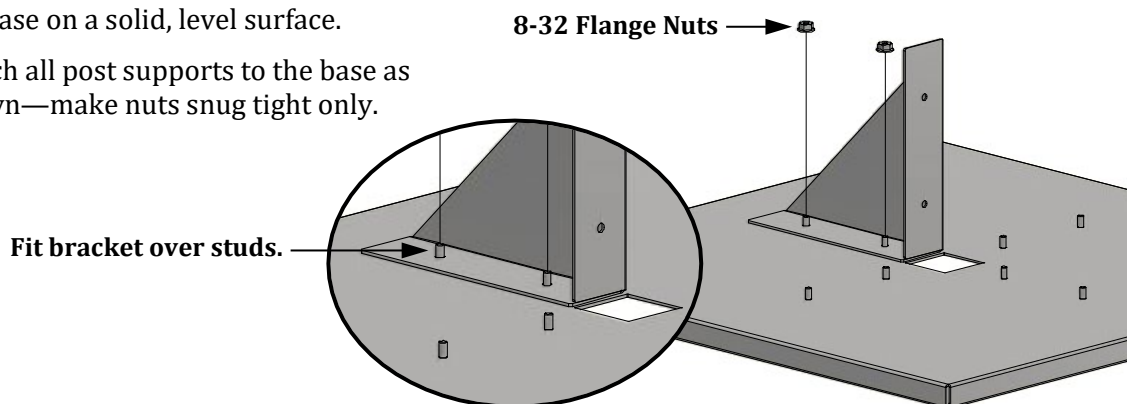
**Post Support**  
(PN 116598)  
(x4)



**Base** (PN 116596)

### Assembly Instructions

1. Set base on a solid, level surface.
2. Attach all post supports to the base as shown—make nuts snug tight only.

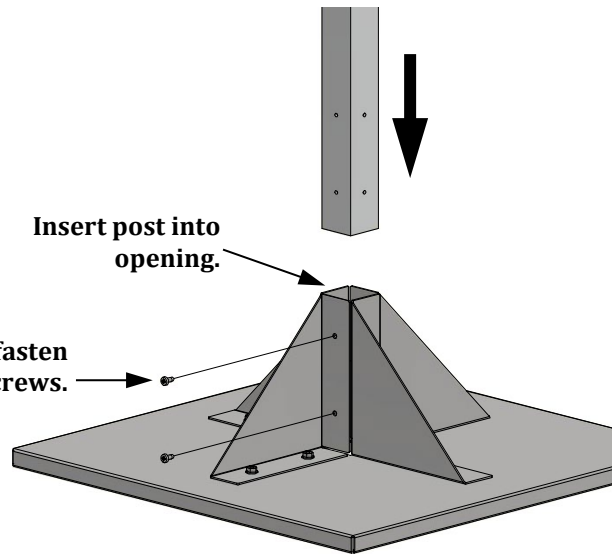




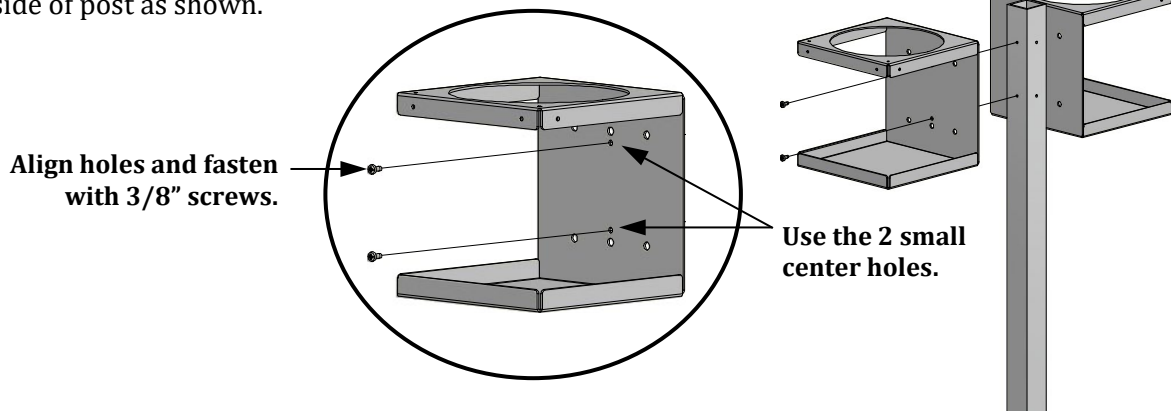
3. Insert post down into bracket opening and thru the base.

4. Align holes, then use 2 screws to fasten each support to the post as shown—snug screws only until all are installed.

5. Fully tighten all nuts to base and screws to post.



6. Attach a gallon mount bracket to each side of post as shown.



7. Make sure all fasteners are tightened.
8. Insert a gallon jug with pump into each bracket for use.

## Care and Cleaning

Remove jugs and wipe stand surfaces clean with a soft cloth dampened with soap and water, then wipe again with water only. **DO NOT use abrasive materials** as they will damage the unit.