



PREMIER SERIES

Project _____
Item _____
Quantity _____
CSI - 11400 _____
Approval _____
Date _____

CX20

High Temperature Single Tank Door Type Dishwasher with Optional VaporGuard 2.0 (Ventless System)

STANDARD FEATURES

- Capacity is 60 (20" x 20") racks per hour or 1080 dishes per hour
- 0.65 gallons per rack
- Quad-Arm Wash System—washes faster with better results!
- **INDUSTRY FIRST!** Submerged booster recaptures radiant heat, saving energy and money
- VaporGuard 2.0 Condensation removal system option has no ceiling clearance issues
- VaporGuard option uses 4 gallons per minute cold water or 2 gallons per cycle and does not require Drain Water Tempering (DWT). For units without VaporGuard follow local codes for DWT
- Oversized strainers collect twice the waste compared to traditional strainers
- Energy Conservation Drain Overflow reduces energy consumption
- Gas springs for smooth motion and safe removal
- Foot-operated drain pedal eliminates back strain
- Ergo-Grip door handle provides multiple options for hand placement and eliminates the need to modify dishtable for corner installation
- Vertically mounted pump motor ensures consistent wash pressure
- Hinged dishrack support swings up for tank and scrap screen access—makes cleaning a breeze!
- RackAware automatic rack sensing system only runs a cycle when a rack is in the machine—no wasted cycles
- Swing out control panel—all components & 24V controls are accessible from the front of the machine
- IP67 controls with anti-vandal push buttons for durability & water resistance
- Multiple cycles: standard wash (1), extended wash (2), heavy soil (3)
- Dishrack guides nest & lock for storage
- Front mounted wash tank for easy cleaning
- Tank heat: electric immersion heater or steam injectors
- Single point electrical connection: motor, controls, heater and optional built-in booster (when selected as an option)
- Door safety switch
- Low water protection
- De-lime program for easy cleaning
- Easy-glide door
- Detergent connection provision
- S/S frame, legs and feet
- Wash arms with secured caps/pipe plugs to prevent loss
- Front mounted controls



CX20 with VaporGuard 2.0

OPTIONS

- Extra high with VaporGuard 2.0 Condensation Removal System
- False panel kit for corner installation
- Steam coil
- Steam booster
- Security package
- Plastic 20" x 20" racks (plate or silver)





CX20

High Temperature Single Tank Door Type Dishwasher with Optional VaporGuard 2.0 (Ventless System)

Capacity Per Hour	60 racks 1080 dishes 2160 glasses
Tank Capacity	17.5 gallons
Booster Capacity	2.3 gallons
Motor Size	1.5 HP
Steam Consumption at 20 psi min.	11 lbs./hour tank 22 lbs./hour booster 40° rise 43 lbs./hour booster 70° rise
Final Rinse Peak Flow at 20 psi. min.	3.9 gallons/minute
Final Rinse Consumption at 20 psi min.	38.4 gallons/hour
Exhaust Hood Requirement	N/A
Peak Rate Drain Flow	35 gallons/minute
Water Inlet Temperature	110°F
Time Cycle	Cycle 1: Wash Time: 20 sec Rinse Time: 10 sec Ventless Time: 30 sec Total Cycle Time: 60 sec Cycle 2: Wash Time: 80 sec Rinse Time: 10 sec Vent Time: 30 sec Total Cycle Time: 120 sec Cycle 3: Wash Time: 170 sec Rinse Time: 10 sec Vent Time: 30 sec Total Cycle Time: 210 sec
Shipping Weight	400 lbs.

SPECIFICATIONS

CONSTRUCTION- Hood and tank constructed of 16 gauge type 304 S/S. Hood unit of all welded seamless construction. S/S frame, legs and feet. All internal castings are non-corrosive lead free nickel alloy or bronze.

DOOR- Single piece construction operating doors have finger tip control, balanced by externally mounted gas springs.

PUMP- Centrifugal type “packless” pump with a brass petcock drain. Construction includes ceramic seal and a balanced stainless steel impeller on a precision ground stainless steel shaft, extension or sleeve. All working parts mounted as an assembly and removable as a unit without disturbing pump housing. One 1.5 hp motor, standard horizontal C-face frame, drip proof, internally cooled with ball-bearing construction.

CONTROLS- Front mounted controls for easy access.

SPRAY SYSTEM- Wash and rinse spray systems made of type 304 stainless steel pipe threaded into cast hub assemblies. Upper and lower wash and rinse spray assemblies are removable without the use of tools.

WASH- Quad-Arms upper and lower with teflon sleeve bearing. Arms are precision designed for maximum wash coverage of ware.

FINAL RINSE- Rinse arms upper and lower with precision design pattern for maximum coverage of ware.

DRAIN- Foot pedal operated with auto-sense to indicate when drain is open.

See additional pages of this specification document for detailed electrical requirements.

NOTE: Due to product improvement we reserve the right to change information and specifications without notice.



CX20

High Temperature Single Tank Door Type Dishwasher

OPERATING CAPACITY

Racks per Hour:	59
Dishes per Hour:	1080
Glasses per Hour:	2160

STANDARD OPERATING CYCLES

CYCLE 1:	
Wash Time:	49 sec
Rinse Time:	10 sec
Total Cycle Time:	59 sec

CYCLE 2:	
Wash Time:	80 sec
Rinse Time:	10 sec
Total Cycle Time:	90 sec

CYCLE 3:	
Wash Time:	170 sec
Rinse Time:	10 sec
Total Cycle Time:	180 sec

VG2 OPERATING CYCLES

CYCLE 1:	
Wash Time:	20 sec
Rinse Time:	10 sec
Vent Time:	30 sec
Total Cycle Time:	60 sec

CYCLE 2:	
Wash Time:	80 sec
Rinse Time:	10 sec
Vent Time:	30 sec
Total Cycle Time:	120 sec

CYCLE 3:	
Wash Time:	170 sec
Rinse Time:	10 sec
Vent Time:	30 sec
Total Cycle Time:	210 sec

ELECTRIC LOADS

Wash Motor HP:	1.5
Wash Heater kW:	9.0
Rinse Booster Heater kW:	9.0

STEAM REQUIREMENTS

Steam Flow Pressure:	10-20 psig
Steam Consumption @ 15 psig	45 lbm/hr
Steam Inlet Connection	1/2" NPT
Steam Condensate Connection:	1/2" NPT

WATER REQUIREMENTS

Water Consumption	38.4 gal/Hr
Wash Temperature (Minimum):	160° F
Rinse Temperature (Minimum):	180° F
Inlet Water Temperature (Minimum):	110° F
Water Flow Pressure:	20 ± 5 psig
Water Line Size:	1/2" NPT
Drain Line Size:	1-1/2" NPT

TANK CAPACITIES

Wash Tank:	17.5 gallons
Rinse Booster Tank:	2.3 gallons

VENTLESS OPTION REQUIREMENTS

Latent Heat Load:	4046 BTU/Hr
Sensible Heat Load:	8224 BTU/Hr
Total Heat Load:	12270 BTU/Hr

Inlet Water Temperature (Max):	75° F
--------------------------------	-------



CX20

High Temperature Single Tank Door Type Dishwasher

ELECTRICALLY HEATED / SINGLE POINT CONNECTION									
VOLTS	PHASE	FREQ	WASH MOTOR	WASH HEATER	RINSE HEATER	CONTROL	TOTAL LOAD	MCA	MOP
208	1	60	9.2 A	43.3 A	43.3 A	0.27 A	96.1 A	125 A	125 A
240	1	60	9.1 A	37.5 A	37.5 A	0.24 A	84.3 A	110 A	110 A
208	3	60	4.7 A	25.0 A	25.0 A	0.27 A	54.0 A	70 A	70 A
240	3	60	4.2 A	21.7 A	21.7 A	0.24 A	47.8 A	60 A	60 A
480	3	60	2.1 A	10.8 A	10.8 A	0.12 A	23.8 A	30 A	30 A

ELECTRICALLY HEATED / DUAL POINT CONNECTION															
CONNECTION #1									CONNECTION #2						
VOLTS	PH	FREQ	WASH MOTOR	WASH HEATER	CONTROL	TOTAL LOAD	MCA	MOP	VOLTS	PH	FREQ	RINSE HEATER	TOTAL LOAD	MCA	MOP
208	1	60	9.2 A	43.3 A	0.27 A	52.8 A	70 A	70 A	208	1	60	43.3 A	43.3 A	60 A	60 A
240	1	60	9.1 A	37.5 A	0.24 A	46.8 A	60 A	60 A	240	1	60	37.5 A	37.5 A	50 A	50 A
208	3	60	4.7 A	25.0 A	0.27 A	30.0 A	40 A	40 A	208	3	60	25.0 A	25.0 A	35 A	35 A
240	3	60	4.2 A	21.7 A	0.24 A	26.1 A	35 A	35 A	240	3	60	21.7 A	21.7 A	30 A	30 A
480	3	60	2.1 A	10.8 A	0.12 A	13.0 A	20 A	20 A	480	3	60	10.8 A	10.8 A	15 A	15 A

ELECTRICALLY HEATED (NO BOOSTER) - SINGLE POINT CONNECTION									
VOLTS	PH	FREQ	WASH MOTOR	WASH HEATER	CONTROL	TOTAL LOAD	MCA	MOP	
208	1	60	9.2 A	43.3 A	0.27 A	52.8 A	70 A	70 A	
240	1	60	9.1 A	37.5 A	0.24 A	46.8 A	60 A	60 A	
208	3	60	4.7 A	25.0 A	0.27 A	30.0 A	40 A	40 A	
240	3	60	4.2 A	21.7 A	0.24 A	26.1 A	35 A	35 A	
480	3	60	2.1 A	10.8 A	0.12 A	13.0 A	20 A	20 A	

STEAM HEATED / SINGLE POINT CONNECTION								
VOLTS	PH	FREQ	WASH PUMP	CONTROL	TOTAL LOAD	MCA	MOP	
208	1	60	9.2 A	0.31 A	9.5 A	15 A	15 A	
240	1	60	9.1 A	0.26 A	9.4 A	15 A	15 A	
208	3	60	4.7 A	0.31 A	5.0 A	15 A	15 A	
240	3	60	4.2 A	0.26 A	4.5 A	15 A	15 A	
480	3	60	2.1 A	0.13 A	2.2 A	15 A	15 A	



CX20

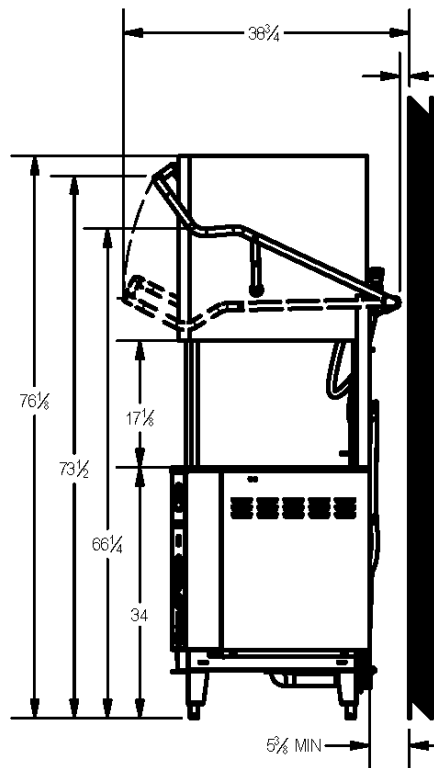
High Temperature Single Tank Door Type Dishwasher

ACCESS & CONNECTION POINTS		
ITEM	DESCRIPTION	SIZE
W	WATER INLET	1/2 NPT
D	DRAIN	1-1/2 NPT
E1	MAIN ELECTRICAL	1-3/8" Hole
E2	AUX ELECTRICAL (DUAL POINT)	1-3/8" Hole
C1	CHEMICAL LINE ACCESS #1	1/2" Hole
C2	CHEMICAL LINE ACCESS #2	1/2" Hole
C3	CHEMICAL SIGNAL WIRES	1/2" Hole
CP1	CONDUCTIVITY PROBE WIRE	1/2" Hole
CP2	CONDUCTIVITY PROBE	7/8" Hole
DET	DETERGENT INSERSION PT.	7/8" Hole
RA	RINSE AID INSERSION PT.	1/4 NPT

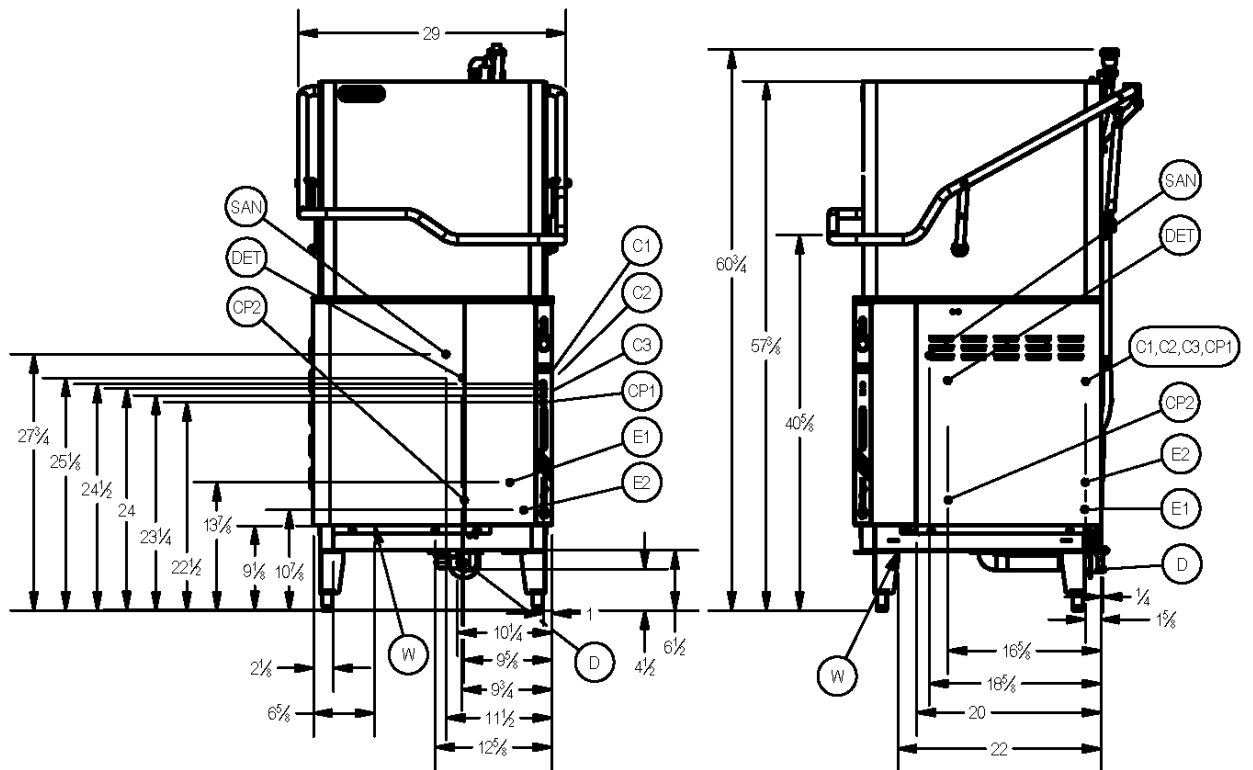
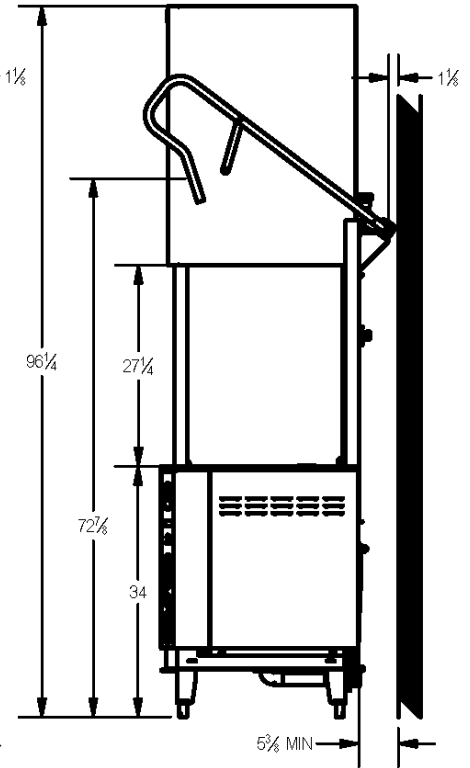
ALL CONNECTION POINTS SHOWN APPLY TO BOTH THE STANDARD AND HIGH HOOD UNITS

NOTE: ALL VERTICAL DIMENSIONS ARE +/- 1/2" DUE TO ADJUSTABLE BULLET FEET

STANDARD HOOD



HIGH HOOD

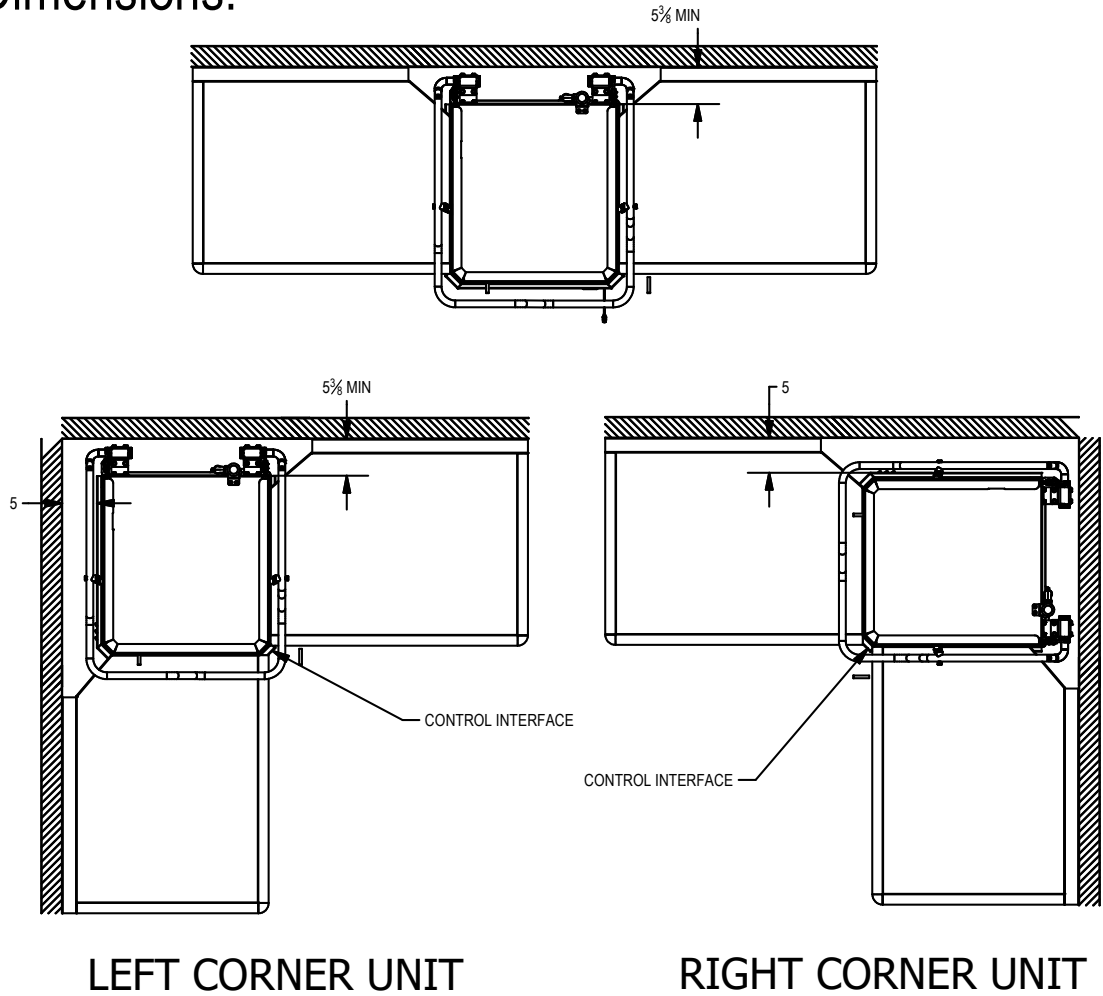




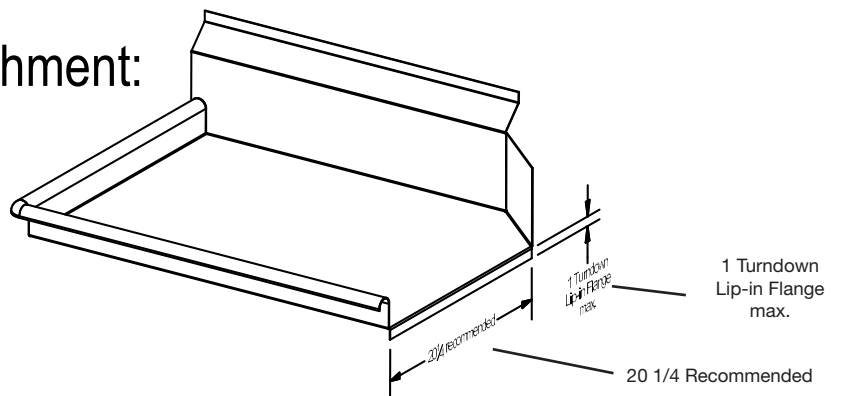
CX20

High Temperature Single Tank Door Type Dishwasher

Table Dimensions:



Tabling Attachment:



We reserve the right to change specifications in this bulletin without incurring any obligation for equipment previously or subsequently sold.