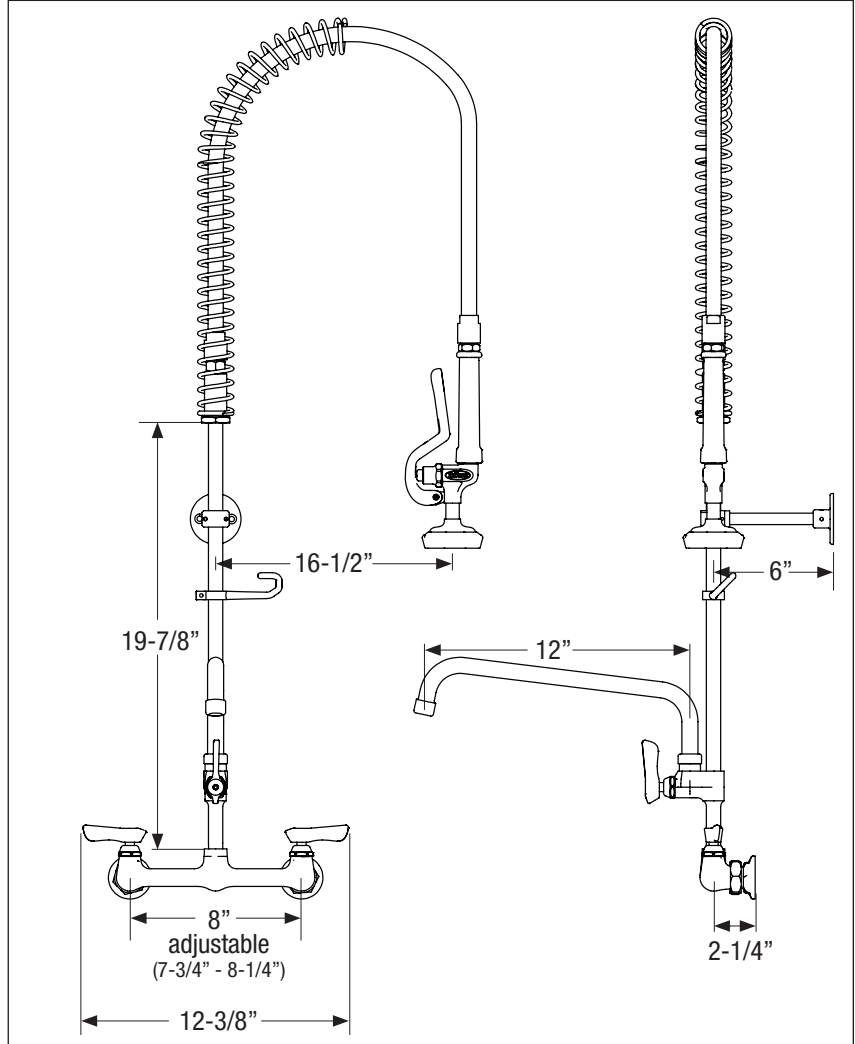


8" Center Wall Mount Pre-Rinse with Add-On Faucet w/ 12" Spout

SILVER SERIES PLUMBING



Standard Features

- Pre-assembled to cut installation time
- Includes wall bracket with mounting hardware
- 1/4 turn ceramic valves
- Includes Add-On Faucet with 12" Spout
- Interchangeable with most brands
- 1.42 GPM spray head
- Built-in check valves
- Solid chrome plated brass base
- Built for medium volume
- Full replacement parts available

Specifications

- 8" adjustable centers (7-3/4" - 8-1/4")
- 44" stainless steel hose with grip, tested to 400 PSI
- 1/2" NPT female inlets
- Temperature range of 40° to 180°
- Riser Pipe with Hook: 3/8" NPT x 18"
- Shipping Weight: 15 lbs.
- Case Quantity: 3



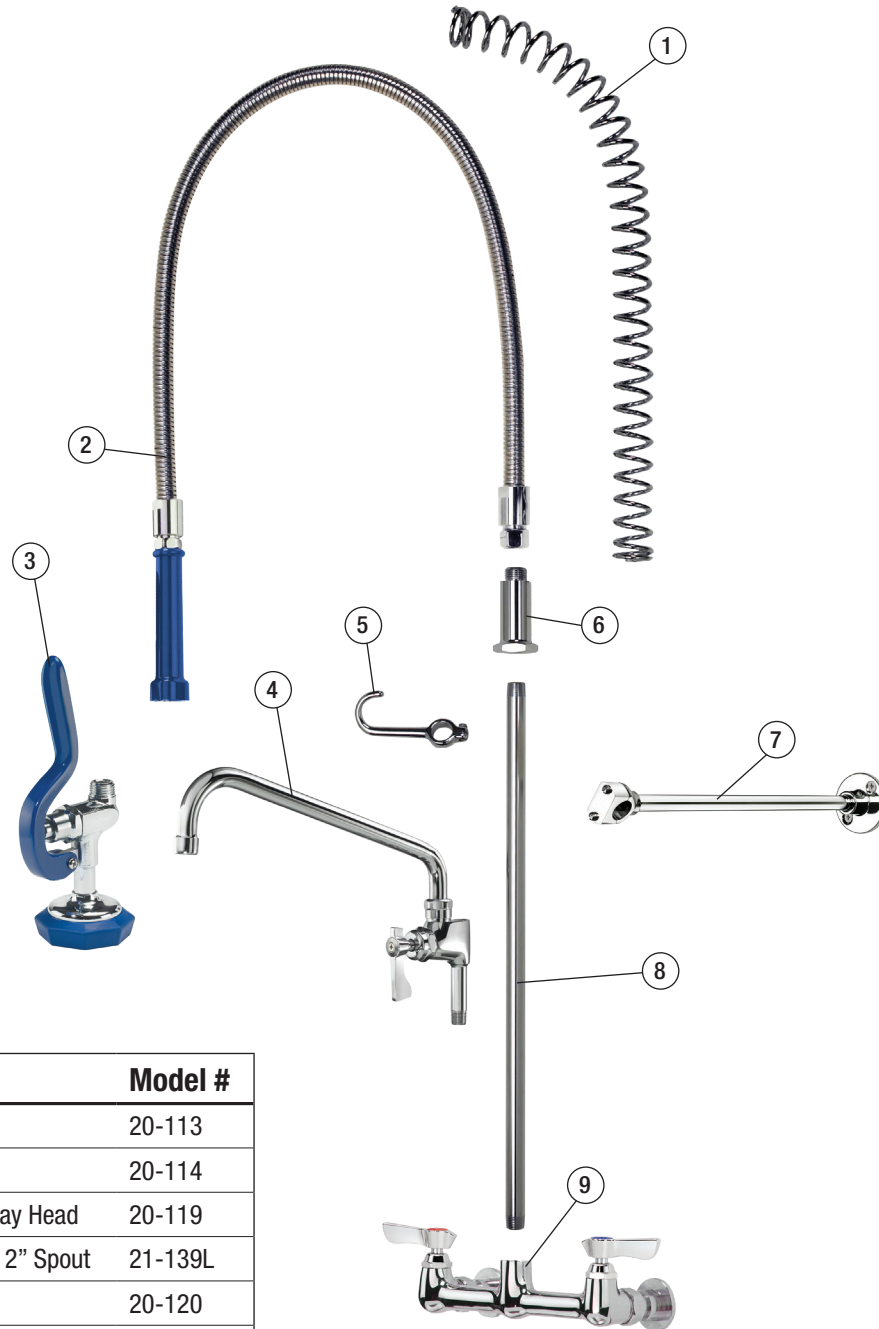
ASME A112.18.1/CSA B125.1



Certified to NSF/ANSI 61-G

8" Center Wall Mount Pre-Rinse with Add-On Faucet w/ 12" Spout

SILVER SERIES PLUMBING



NO.	Item	Model #
1	24" Spring	20-113
2	44" Hose w/ Grip	20-114
3	Shower Pattern Spray Head	20-119
4	Add-On Faucet w/ 12" Spout	21-139L
5	Hook Assembly	20-120
6	Spring Retainer	20-112
7	Wall Bracket	20-110
8	18" Riser	20-111
9	Pre-Rinse Faucet Body (includes valves and flanges)	20-301



C US
ASME A112.18.1/CSA B125.1



Certified to
NSF/ANSI 61-G