



ITEM #: \_\_\_\_\_ QTY: \_\_\_\_\_  
 MODEL #: \_\_\_\_\_  
 PROJECT NAME: \_\_\_\_\_

063017

3601 S. Banker St. Effingham, IL 62401 • P.O. BOX 609 • Ph: (888) 431-2667 • Fax: (800) 433-2667

## "UFBLG" STAINLESS STEEL TOP WORK TABLES



18GA TOP W/1-1/2" REAR RISER AND GALV LEGS AND ADJUSTABLE UNDERSHELF  
**\*BUDGET E-SERIES\***

### FEATURES:

- 18 GAUGE STAINLESS STEEL TOP W/1-1/2" REAR RISER
- TYPE 430 STAINLESS STEEL WITH SATIN FINISH
- TOP IS SOUND DEADENED
- REINFORCED WITH 1"X2" CHANNEL RUNNING ENTIRE LENGTH OF TABLE
- 1-1/2" STALLION EDGE ON FRONT AND REAR WITH SIDE EDGES 90 DEGREE BEND DOWN FOR TABLE LINE-UP
- GALVANIZED BASE AND ADJUSTABLE UNDERSHELF
- SHIPPED KNOCKED-DOWN, EASY-TO-ASSEMBLE
- NSF CERTIFIED



UFBLG4830

### CONSTRUCTION:

- TOP: STAINLESS STEEL TOPS ARE TIG WELDED, EXPOSED WELDS ARE POLISHED TO MATCH ADJACENT SURFACE.

### MATERIAL:

- TOP: 18 GAUGE STAINLESS STEEL TYPE 430 STAINLESS STEEL WITH SATIN FINISH
- SHELF: 18 GAUGE GALVANIZED STEEL
- LEGS: 1-5/8" ROUND O.D. 16 GAUGE TUBULAR GALVANIZED STEEL
- GUSSETS: GALVANIZED STEEL
- FEET: 1" ADJUSTABLE PLASTIC BULLET FEET

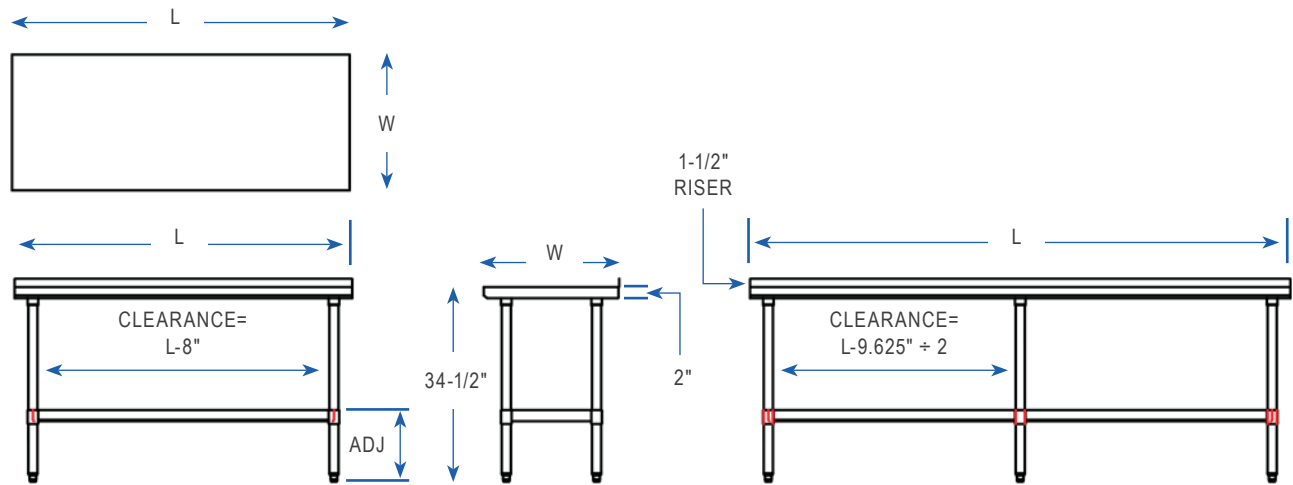


ADJUSTABLE SHELF

### STAINLESS STEEL TOP WORK TABLES

18" WIDE	QTY	24" WIDE	QTY	30" WIDE	QTY
-		UFBLG2424		-	
-		UFBLG3024		UFBLG3030	
UFBLG3618		UFBLG3624		UFBLG3630	
UFBLG4818		UFBLG4824		UFBLG4830	
UFBLG6018		UFBLG6024		UFBLG6030	
UFBLG7218		UFBLG7224		UFBLG7230	
-		UFBLG8424		UFBLG8430	
UFBLG9618		UFBLG9624		UFBLG9630	

## DETAILED SPECIFICATIONS



- UNITS 7 FT. AND LARGER ARE FURNISHED WITH SIX LEGS.
- FINISHED SIZE OF UNDERSHELF.  
SHELF LENGTH = LENGTH MINUS 4.875"  
SHELF WIDTH = WIDTH MINUS 4.25"

### STAINLESS STEEL TOP WORK TABLES

LENGTH	18" WIDE	WT. (LBS)	24" WIDE	WT. (LBS)	30" WIDE	WT. (LBS)
24"	-	-	UFBLG2424	41	-	-
30"	-	-	UFBLG3024	46	UFBLG3030	63
36"	UFBLG3618	48	UFBLG3624	50	UFBLG3630	56
48"	UFBLG4818	54	UFBLG4824	60	UFBLG4830	63
60"	UFBLG6018	61	UFBLG6024	71	UFBLG6030	82
72"	UFBLG7218	77	UFBLG7224	80	UFBLG7230	96
84"	-	-	UFBLG8424	99	UFBLG8430	116
96"	UFBLG9618	94	UFBLG9624	110	UFBLG9630	129

SOME UNITS SHIP UNASSEMBLED FOR REDUCED SHIPPING COST. ALL DIMENSIONS ARE TYPICAL. TOLERANCE +/- .500"  
John Boos & Co. is constantly engaged in a program of improving products and therefore reserves the right to change specifications without prior notice.



Boos  
lock

AQ AutoQuotes

3601 S. Banker St. • Effingham, IL 62401 • PO BOX 609 • quotes@johnboos.com

www.johnboos.com

070517

245