



6690-C

FROZEN BEVERAGE FREEZER

Single flavor, Countertop, Gravity feed

Powerful & Versatile

High capacity single flavor counter model for frozen beverage and milkshakes

Fast Freeze Down

Patented high efficiency heat exchanger allows fast freeze down with low energy consumption

Simple Control, Easy Operation

Simple and intuitive control system makes operation and viscosity adjustment easy, swift and more precise

Low Mix Indicator

Light turns "ON" at low mix to alert operator to add mix

See-through Dispensing Door

Clear dispensing door design makes product more attractive and serves as great marketing tool

Standby & Indicator

Maintains product temperature in both mix hopper and freezing cylinder below 4.4°C (40°F) overnight; Indicator lights up during Standby

Higher capacity solution with greater flexibility to serve larger crowds alcoholic & non-alcoholic frozen drinks including milkshakes



Hopper Agitator

Maintain product consistency and prevent product separation

Self-closing Dispensing Valve

Automatically prevents product overflow after dispense

Safety Protections

- High pressure switch to prevent compressor overheating
- Thermal overload to protect from motor overheating

Light Box (Optional)

- Illuminates flavor cards to attract more business
- Changes color to indicate Low Mix and Standby

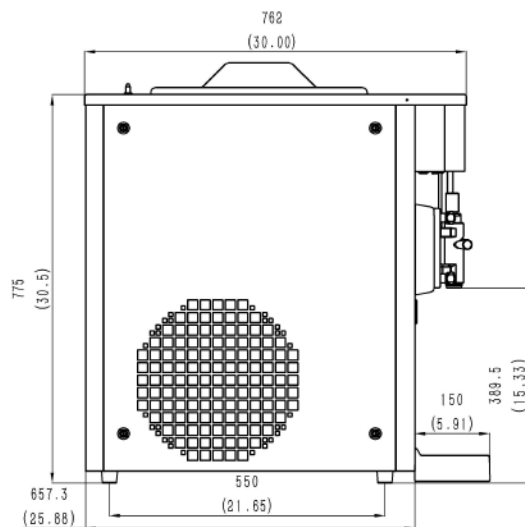
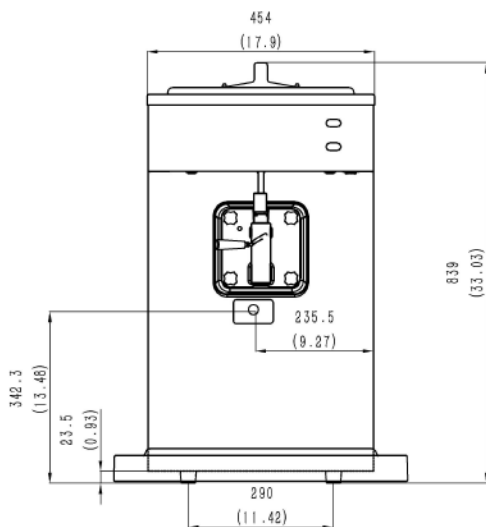
One-hand Operated Spinner (Optional)

- Adds ability to blend and offer more varieties of treats
- Allows for multi-tasking one-hand operation that helps increase productivity and reduce serving time



6690-C

FROZEN BEVERAGE FREEZER



SPECIFICATIONS

Flavors	1
Freezing Cylinders	1x 6.9L / 7.3qt
Mix Hoppers	1x 25L / 26.4qt
Output Capacity (250ml)	240 serves/hr
Clearance Requirements	152mm/6" on left

Weight Kg/lb

Net	138 / 307
Shipping	151 / 336
Volume	0.51 CBM / 17.87 CBF

Dimensions Net (mm/in) Shipping (mm/in)

Width	454 / 17.9	600 / 23.6
Depth	657 / 25.9	860 / 33.9
Height	839 / 33.0	980 / 38.6

Electrical MFS MCA Power(kW)

220-240/50/1	20	13	2.0
208-230/60/1	20	15	2.2

FEATURES

Control System	One, Mechanical
Refrigerated Hopper	<input checked="" type="checkbox"/>
Hopper Agitator	<input checked="" type="checkbox"/>
Standby Mode	<input checked="" type="checkbox"/>
Auto Closing Dispensing Valve	<input checked="" type="checkbox"/>
Low Mix Indicator Light	<input checked="" type="checkbox"/>
Low Mix Indicator Alarm	<input checked="" type="checkbox"/>
Standby Mode	<input checked="" type="checkbox"/>
Standby Indicator Light	<input checked="" type="checkbox"/>
High Pressure Protection	<input checked="" type="checkbox"/>
Thermal Overload Protection	<input checked="" type="checkbox"/>

AVAILABLE OPTIONS

Top Air Discharge Chute	<input checked="" type="checkbox"/>
Spinner	<input checked="" type="checkbox"/>
Light Box	<input checked="" type="checkbox"/>

• Above specifications are subject to change without notice