



Project: _____
 Items: _____
 Quantity: _____
 Approval: _____
 Date: _____

Stainless Steel Mobile Hand Sink

Efficient solution for areas with restricted or limited availability of plumbing in your facility, while ensuring appropriate levels of hygiene.

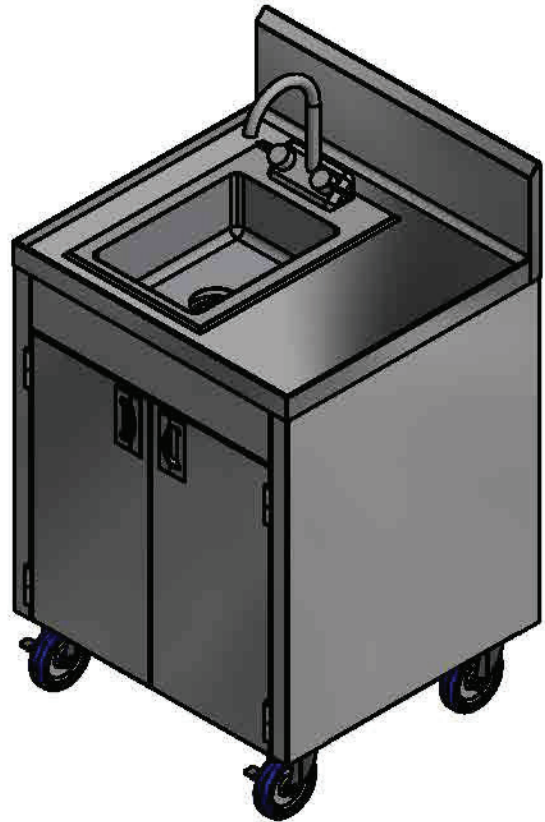
Keep it Sanitary - Wash Your Hands!

Features:

- Constructed of all welded stainless steel. Top 16 guage, cabinet 18 guage
- 6" back boxed back splash
- 5 gallon clean water & 6 gallon waste containers
- UL listed Stiebel Eltron Mini water heater at 120V/15A
- UL listed Shurflo water pump at 115V
- Sink is 10" x 14" x 5" deep
- Includes 6" goose neck faucet and basket drain
- Faucet blends hot and cold water
- Electrical - 120V, 20A with 8' power cord
- Maneuvers on (4) 5" polyurethane swivel casters with brakes.

Benefits:

- Maintains hygienic and safe environment
- Versatile - it can be used in a setting with limited plumbing
- NSF



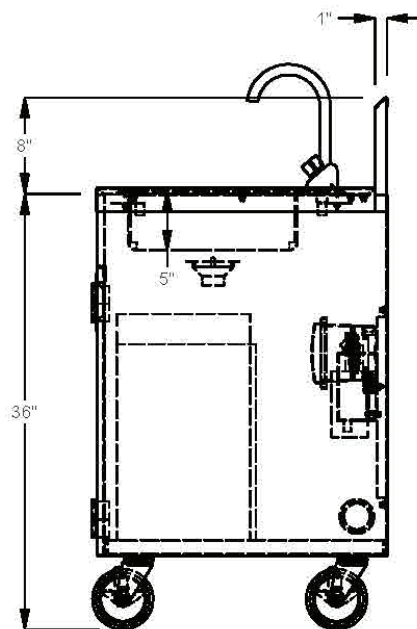
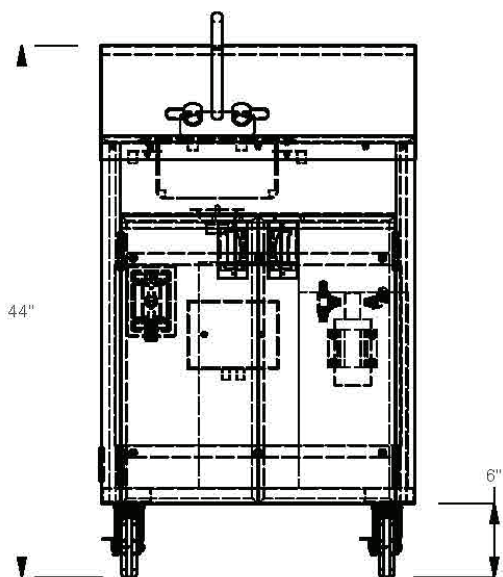
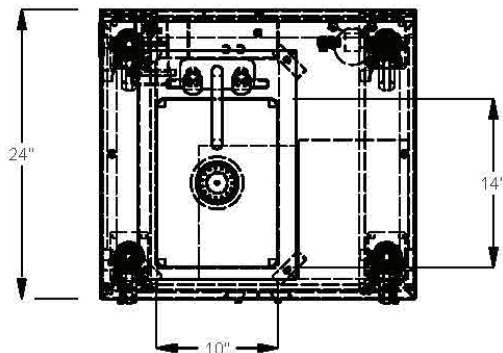
Model STCT-BHD2436PUMP-WH

USA & GLOBAL
MANUFACTURING





**Stainless Steel
Mobile Hand Sink**



Model Number	Order#	Overall Dimensions						Approx. Ship Wt	
		Width		Length		Height		(lb)	(kg)
		(in)	(mm)	(in)	(mm)	(in)	(mm)		
STCT-BHD2436PUMP-WH	1143130	26-1/8	664	24	607	44	1118	104	47

Caster Information

Swivel Plate Caster with 5" Polyurethane Wheel & Brake 738AW/LC
5" Polyurethane Wheel 7112



In line with our policy to continually improve our products, Winholt reserves the right to change materials and specifications without notice.