



305 KATOM DRIVE, KODAK, TN 37764 • Ph: (800) 541-8683

"TR" FLOOR TROUGHS - STAINLESS STEEL 14GA

4" DEEP W/ SUBWAY-STYLE STAINLESS STEEL GRATING AND REMOVABLE PERFORATED STRAINED

FEATURES:

- ACCOMODATES A 4" O.D. DIAMETER DRAIN PIPE 3.25" LONG
- REMOVABLE GRATE WITH 1/8" STAINLESS STEEL BARS ON 3/4" CENTERS
- 5 DEGREE BREAKS IN BOTTOM FOR POSITIVE DRAINAGE TOWARDS DRAIN
- INCLUDES DRAINAGE GRATE WITH 1/4" HOLES

CONSTRUCTION:

- ALL TIG WELDED, EXPOSED WELDS ARE POLISHED TO MATCH ADJACENT SURFACE

MATERIAL:

- 14 GAUGE, TYPE 300 STAINLESS STEEL

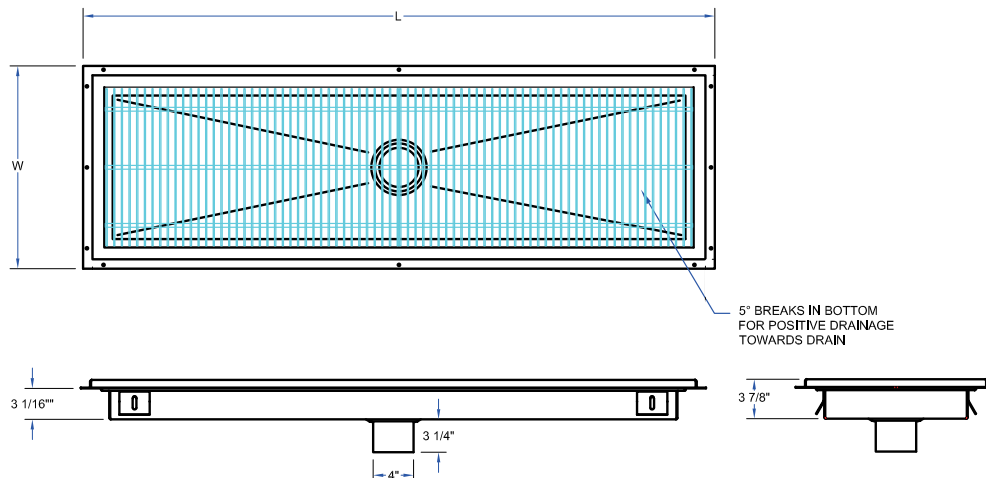


TR-1248

FLOOR TROUGHS - STAINLESS STEEL 14GA

LENGTH	12" WIDE	WEIGHT (LBS)	18" WIDE	WEIGHT (LBS)
24"	TR-1224	25	TR-1824	37
36"	TR-1236	37	TR-1836	56
48"	TR-1248	50	TR-1848	76
60"	TR-1260	62	TR-1860	93

DETAILED SPECIFICATIONS



SOME UNITS SHIP UNASSEMBLED FOR REDUCED SHIPPING COST. ALL DIMENSIONS ARE TYPICAL. TOLERANCE +/- .500"
KaTom is constantly engaged in a program of improving products and therefore reserves the right to change specifications without prior notice.



305 KaTom Drive, Kodak, TN, 37764 | 800-541-8683

www.katom.com

MAR20