

BLACK DIAMOND®

Thermostatic Griddles - BDCTG-T Series

Black Diamond's heavy duty thermostatic griddles are designed to maintain precise cooking temperatures during your busiest hours. Each "U" shaped stainless steel burner puts out 30,000 BTU/hr and are spaced out evenly throughout the entire griddle plate giving you a more uniform heated surface. The thermostatic controls allow for precise cooking temperatures along the cooking surface. Each burner has its own individual standing pilot light and control which allows you to set up different cooking zones along the griddle plate. The 1" thick polished steel griddle plate is made to handle cooking at high heats for an extended period of time. The 20" cooking depth provides maximum cooking surface area. Comes standard with adjustable heavy duty legs, drip tray and has a 3/4" rear NPT gas connection. Field convertible to LPG. ETL Listed and ETL Sanitation.

BDCTG-24T
BDCTG-36T
BDCTG-48T
BDCTG-60T



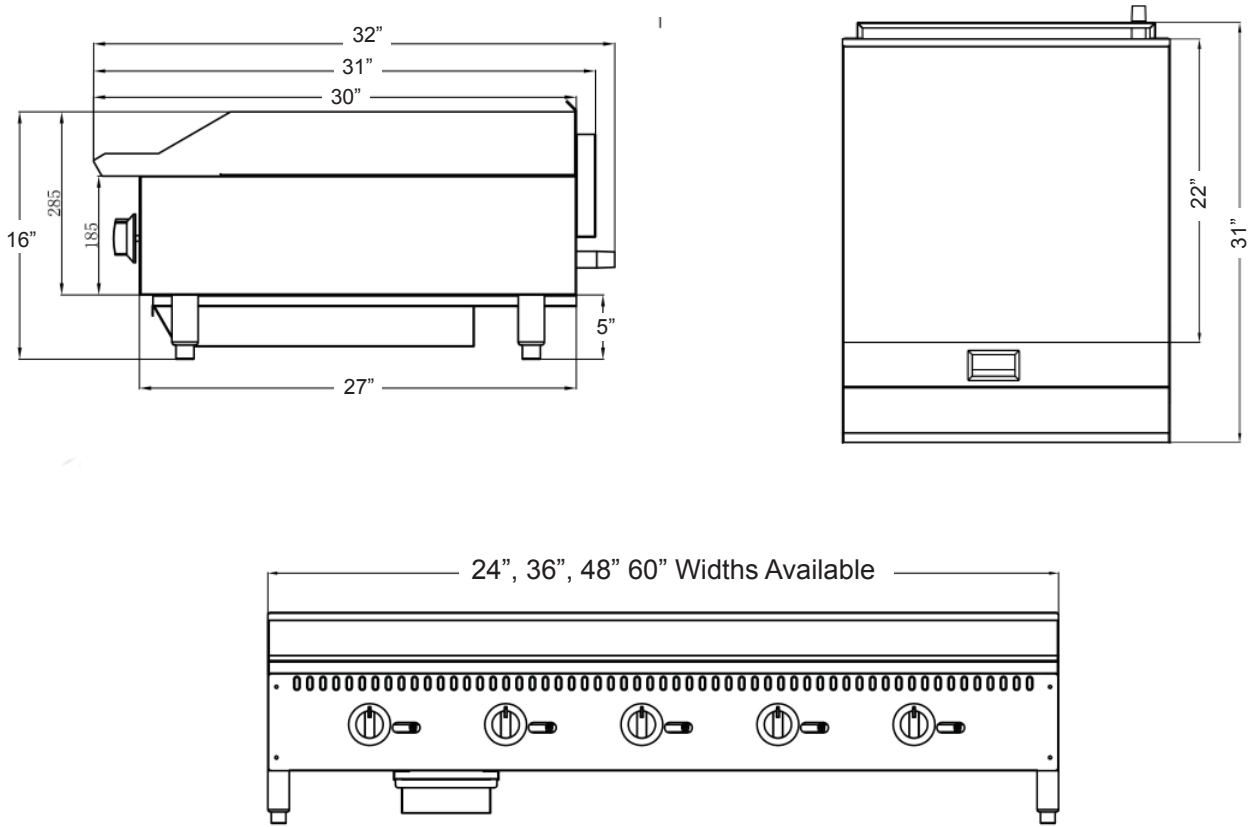
Standard Features

- ◆ Stainless steel front, sides and splash guards that are fully welded for extra durability
- ◆ Griddle plate is made up of 1" thick polished steel
- ◆ One "U" shaped stainless steel burner for every 12" griddle width
- ◆ 30,000 BTU/hr per burner
- ◆ Separate gas valves for each burner with standing pilot ignition system
- ◆ Adjustable thermostat from 200° - 450°F for precise control while cooking
- ◆ 3" wide grease trough for easy cleaning
- ◆ 4"-5" adjustable heavy duty steel legs
- ◆ Removable steel drip tray for easy cleaning
- ◆ 3/4" rear NPT gas inlet
- ◆ Field convertible to LPG - L.P. orifices included
- ◆ ETL Listed and ETL Sanitation

Model	Burners	Total BTU/hr	Net Weight (lb)	Gross Weight (lb)
BDCTG-24T	2	60,000	140	200
BDCTG-36T	3	90,000	225	285
BDCTG-48T	4	120,000	300	360
BDCTG-60T	5	150,000	463	529



Plan View



Specifications

Model Number	Overall Dimensions	Griddle Plate Thickness (in)	Thermostat Range (°F)	Cooking Area Dimensions
BDCTG-24T	24"W x 32"D x 16"H	1"	200°-450°F	23.75"W x 22"D
BDCTG-36T	36"W x 32"D x 16"H	1"	200°-450°F	35.75"W x 22"D
BDCTG-48T	48"W x 32"D x 16"H	1"	200°-450°F	47.75"W x 22"D
BDCTG-60T	60"W x 32"D x 16"H	1"	200°-450°F	59.75"W x 22"D

Black Diamond warrants this product to be free of defects in materials and workmanship for period of 1 year from the date of original installation.