



---

# AC

---

## Air Curtain Display Cooler

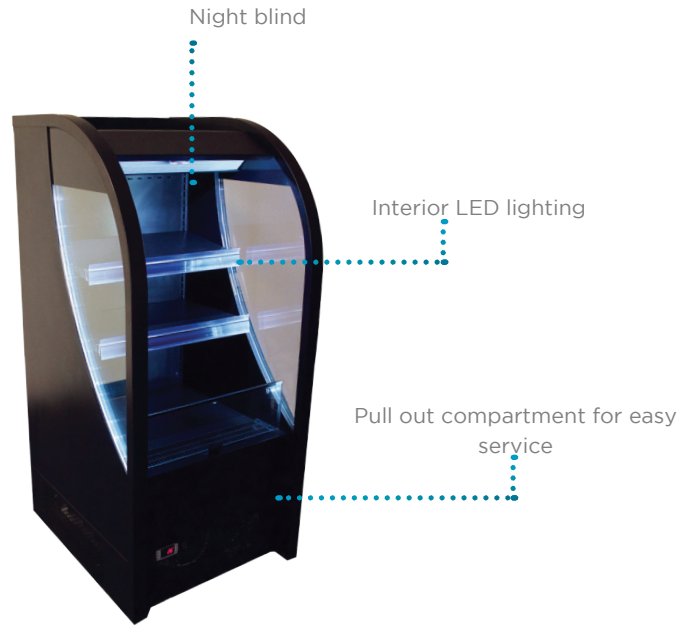
# KEY ASPECTS

## SPECIAL FEATURES:

- Easy maintenance and service
- Electronic thermostat
- Energy efficient
- Environmentally friendly hydrocarbon refrigerant
- Price tag molding

## OPTIONS:

- Extra shelves
- Graphics
- Casters with 2 locking



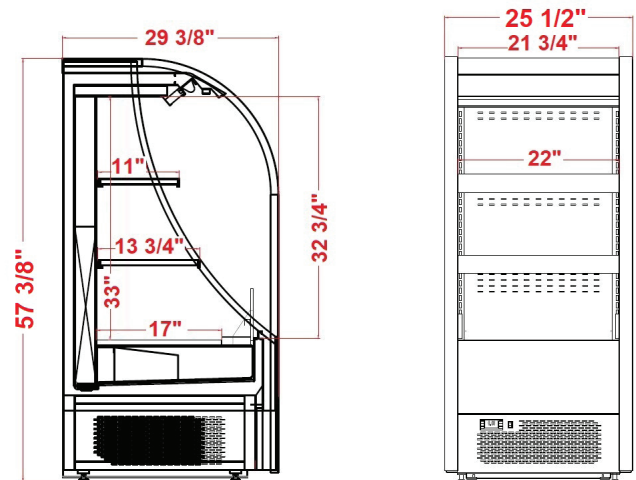
Complies with 2017 DOE standards for commercial cooler without door

## TECHNICAL SUMMARY

MODEL	SIZE	ELECTRICAL			REFRIGERATION			OTHER		
	Dimensions (inches)* Width x Depth x Height	Cubic Feet	Net Weight (lbs.)	Shipping Weight (lbs.)**	Voltage/Hz/Phase	Running Amps	Compressor HP	Refrigerant	Temperature	Container Quantity
AC-6HC	25 1/2 x 29 3/8 x 57 3/8	6.0	297	364	115/60/1	8.0	1/2	R-290	+32°F to +41°F	42

\*Dimensions are all nominal lengths

\*\*Does not include weight of pallet when needed



500 S. Falkenburg Road  
Suite 200 | Tampa, FL 33619  
800.441.4014 | 813.870.0340  
www.excellenceindustries.com  
ver. 3.19