

CONAIR® HOSPITALITY

TH360WH

THINNER®

Digital Precision Chrome and Glass Scale



- Extra Large 1.5" LCD panel
- Clear Tempered safety glass platform
- Measures weight between 0.2lbs and 400lbs.
- Includes long-life lithium battery
- Measures weight in both kg. and lbs

Specifications

Replacement battery - 1 x CRZ032

Packing Dimensions and Weight

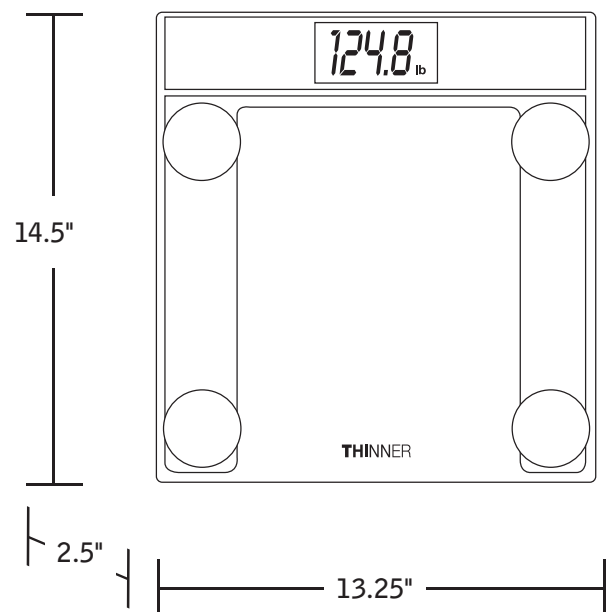
Master Pack	4
Case Dimensions	10.88" x 15.63" x 14"
Case Weight	20.2 lbs.
Case Cube	1.377

Product UPC

Product MBC

040072086793

10040072086790



www.conairhospitality.com

314 Ella T. Grasso Ave., Torrington, CT 06790