

G4TB Tea Brewer



G4TB
3.0 – 5.0 Gallon Tea Brewer
Shown with TCO421A000
4.0 Gallon Dispenser
(Sold Separately)

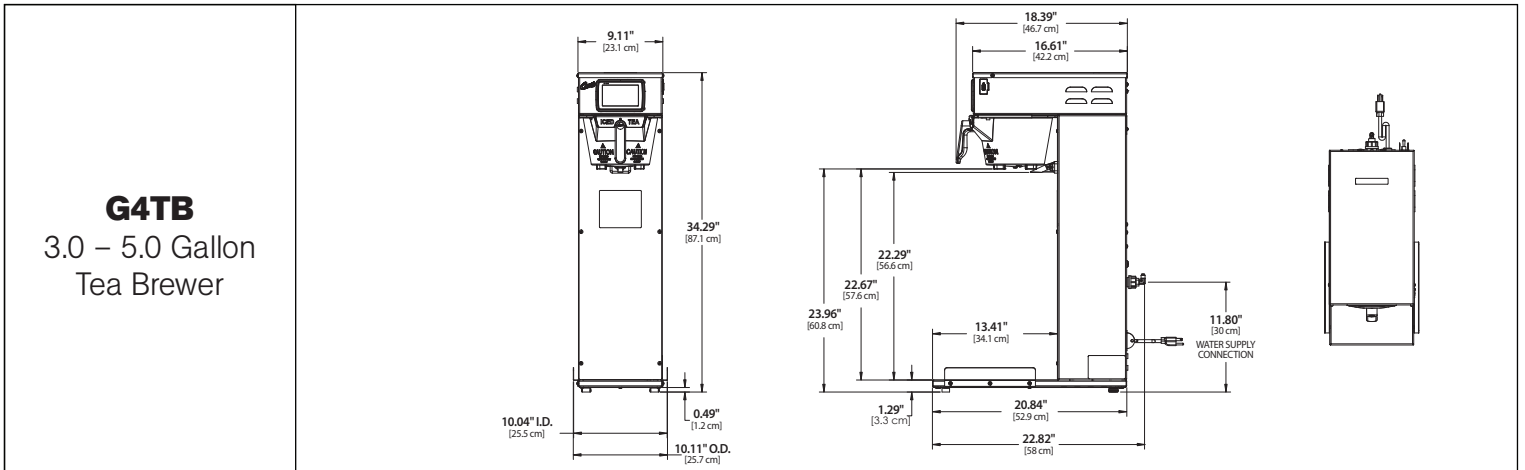
■ Features

- Generation Four (G4) Digital Control Module
- Large, 4.3" Touch Screen
- Icon-Driven Interface
- "Fast Brew" Option
- Easily Adjust Time, Volume, Temperature and More
- Cold Water Brew Lock-Out
- Built-In Self Diagnostic System



Perfecting the art of brewing since 1941

G4TB Tea Brewer



Specifications

MODEL #	DESCRIPTION	BREW CAPACITY	HEIGHT x WIDTH x DEPTH	SHIP WEIGHT	SHIP CUBE
G4TB	G4 Tea Brewer	3.0 - 5.0 Gallons	34.29" x 10.11" x 22.82"	41.0 lbs.	9.14 cu. ft.

Utility Requirements

MODEL #	PHASE	VOLTS	AMPS	ELECTRICAL						WATER			
				MIN. CIRCUIT	HEAT CONFIG	WIRE	WATTS	HERTZ	GAL/HR	CONNECTOR	PRESSURE	MIN. FLOW RATE	TANK VOL.
G4TB	1 PH	120V	13.8A	15A	1 x 1600W	2W+G	1650W	50/60 Hz	12.0	1/4" Flare	20 - 90 psi	1.0 GPM	1.6 gal

SPECIFICATIONS SUBJECT TO CHANGE WITHOUT NOTICE



Wilbur Curtis Company, Inc. / 6913 Acco Street / Montebello CA 90640
800.421.6150 / 323.837.2300 / www.wilburcurtis.com
Perfecting the art of brewing since 1941