

G4TBS Low Profile Tea Brewer



G4TBS

1.5 - 3.5 Gallon Tea Brewer
Shown with TCN1510
1.5 Gallon Dispenser
(Sold Separately)

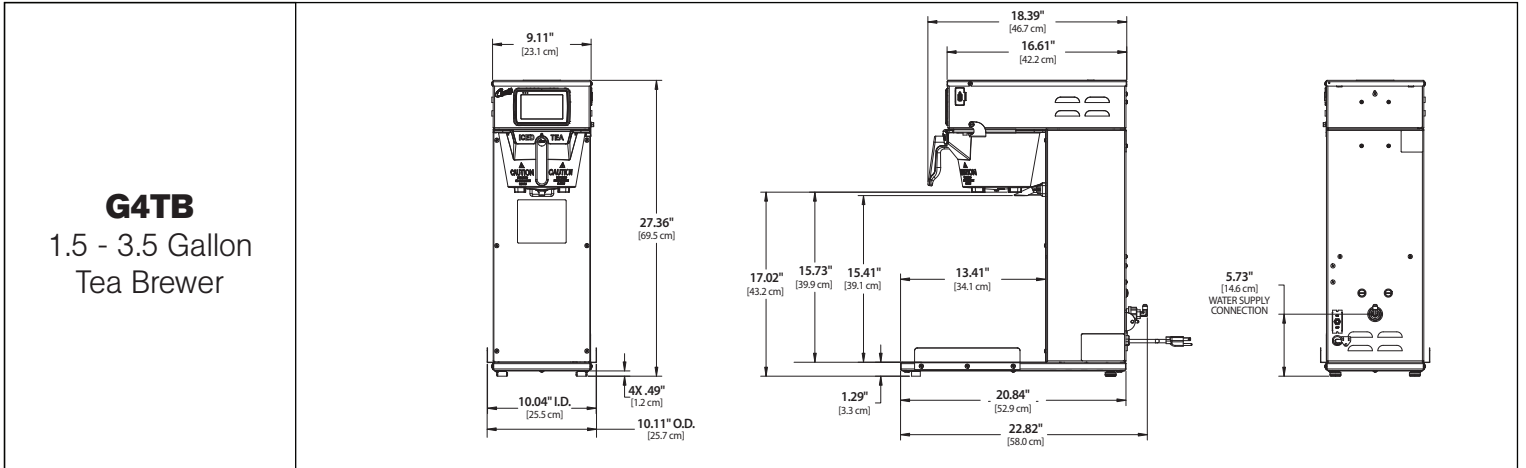
Features

Generation Four (G4) Digital Control Module
Large, 4.3" Touch Screen
Icon-Driven Interface
"Fast Brew" Option
Easily Adjust Time, Volume, Temperature and More
Cold Water Brew Lock-Out
Built-In Self Diagnostic System



Perfecting the art of brewing since 1941

G4TBS Tea Brewer



Specifications

MODEL #	DESCRIPTION	BREW CAPACITY	HEIGHT x WIDTH x DEPTH	BREWER FILL WEIGHT	SHIP WEIGHT	SHIP CUBE
G4TBS	G4 Low Profile Tea Brewer	1.5 - 3.5 Gallons	27.36" x 10.11" x 22.82"	144.2 lbs.	33.0 lbs.	6.28 cu. ft.

Utility Requirements

MODEL #	PHASE	VOLTS	AMPS	ELECTRICAL						WATER			
				MIN. CIRCUIT	HEAT CONFIG	WIRE	WATTS	HERTZ	GAL/HR	CONNECTOR	PRESSURE	MIN. FLOW RATE	TANK VOL.
G4TBS	1 PH	120V	13.8A	15A	1 x 1600W	2W+G	1650W	50/60 Hz	12.0	1/4" Flare	20 - 90 psi	1.0 GPM	1.6 gal

SPECIFICATIONS SUBJECT TO CHANGE WITHOUT NOTICE



Wilbur Curtis Co., Inc. / 6913 Acco Street / Montebello CA 90640
800.421.6150 / 323.837.2300 / www.wilburcurtis.com
Perfecting the art of brewing since 1941