



# SLIM JIM® RECYCLING STATION BILLBOARDS

An adaptable recycling solution offers a front-of-house look with smart functionality.

## Features and Benefits:

- Provide better waste stream visibility by selecting a color and waste stream label for your facility needs
- Simple and durable execution. Components snap in place without the use of hardware

## COLORS AVAILABLE

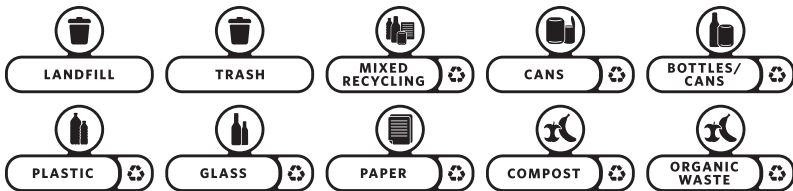
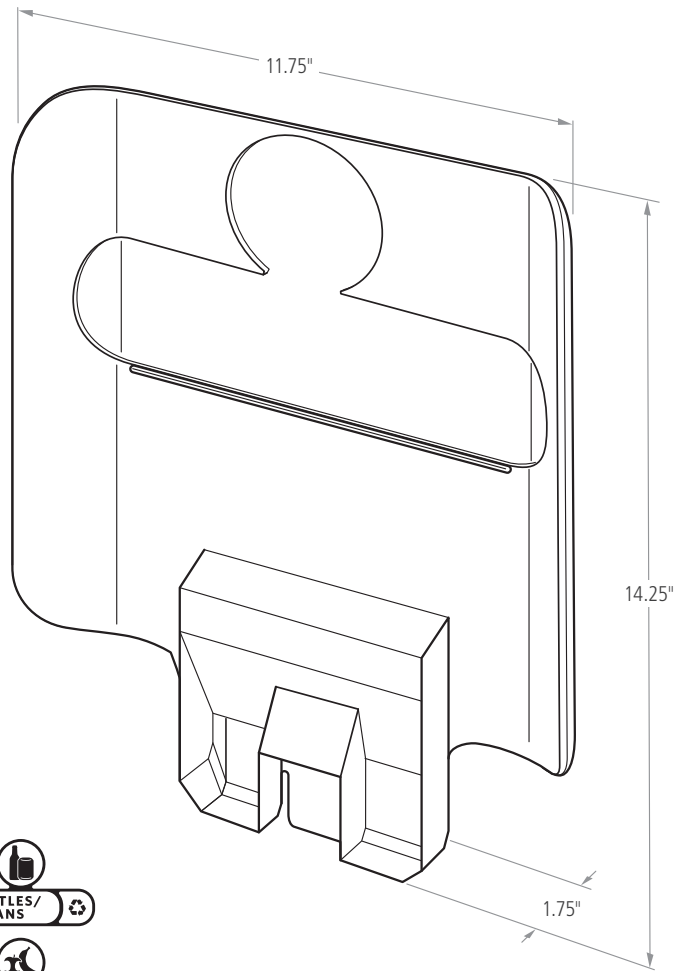
Red, Yellow, Green, Blue, Black, Dark Grey, Brown

## Material Composition:

Polypropylene

## Compatibility:

- Compatible with Slim Jim® Recycling Station Starter Kit, Slim Jim® Recycling Station Lid Inserts, and Slim Jim® Recycling Station Waste Stream Label Kits.



Waste Stream Label Kit - 1977787

## SLIM JIM® RECYCLING STATION BILLBOARDS

SKU #	DESCRIPTION	COLOR	DEPTH IN	WIDTH IN	HEIGHT IN	PACK SIZE
2007905	BILLBOARD	RED	1.75	11.75	14.25	1
2007907	BILLBOARD	YELLOW	1.75	11.75	14.25	1
2007908	BILLBOARD	GREEN	1.75	11.75	14.25	1
2007909	BILLBOARD	BLUE	1.75	11.75	14.25	1
2007910	BILLBOARD	BLACK	1.75	11.75	14.25	1
2007911	BILLBOARD	DARK GREY	1.75	11.75	14.25	1
2007912	BILLBOARD	BROWN	1.75	11.75	14.25	1
1977787	LABEL KIT: ENGLISH (UNITED STATES)	WHITE	0.063	9.55	5.59	1
2007922	LABEL KIT: FRENCH/ENGLISH (CANADA)	WHITE	0.063	9.55	5.59	1
2007921	LABEL KIT: ENGLISH (UNITED KINGDOM)	WHITE	0.063	9.55	5.59	1
2007924	LABEL KIT: ENGLISH (AUSTRALIA)	WHITE	0.063	9.55	5.59	1
2007923	LABEL KIT: SPANISH	WHITE	0.063	9.55	5.59	1
2007920	LABEL KIT: CHINESE/ENGLISH	WHITE	0.063	9.55	5.59	1

162707 |

©2017 Rubbermaid Commercial Products LLC  
8900 Northpointe Executive Park Drive, Huntersville, NC 28078

