



G3 TLP LOW PROFILE AIRPOT COFFEE BREWING SYSTEMS

MODELS: TLP, TLP12A, TLP12A19



TLP

Shown with 1.9L TLXP1901S000
(Pourpot Sold Separately)



TLP12A

Shown with 2.5L TLXA2501S000
(Airpot Sold Separately)

Ultra Compact, Low Profile Airpot Brewing Systems.

Curtis sets a new standard for compact airpot coffee brewing systems with our TLP series. This enhanced design system combines renowned Curtis brewing expertise with the latest in digital technology. This design offers precision digital performance, greater reliability and extended working life. The Advanced Flow Sprayhead (AFS) provides total control over brewing time, turbulence, temperature and volume – the critical aspects of brewing quality gourmet coffee.

Compact Design That Won't Crowd a Counter.

The TLP coffee brewing system is universally designed and beautifully styled. It offers big performance yet takes up little space. It easily fits anywhere from kitchen counter to conference room. The generous brew cone clearance accommodates standard 2.5L airpots and gravity airpots alike.

Features That Keep Coffee Flowing.

The TLP is equipped with a drive pump water delivery system. The magnetic drive pump consistently delivers hot water to the AFS Sprayhead for optimized water flow and perfect extraction.

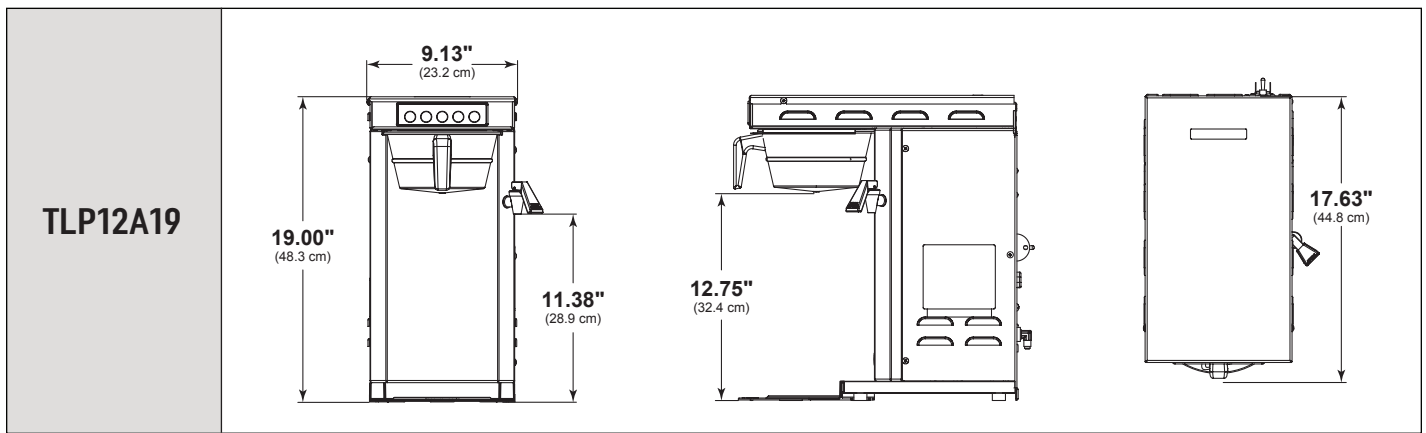
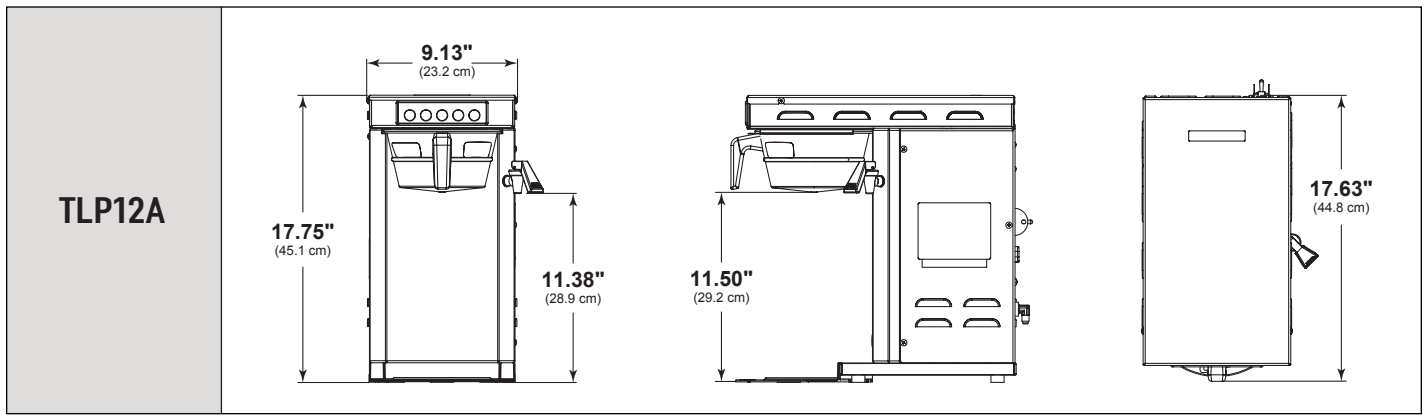
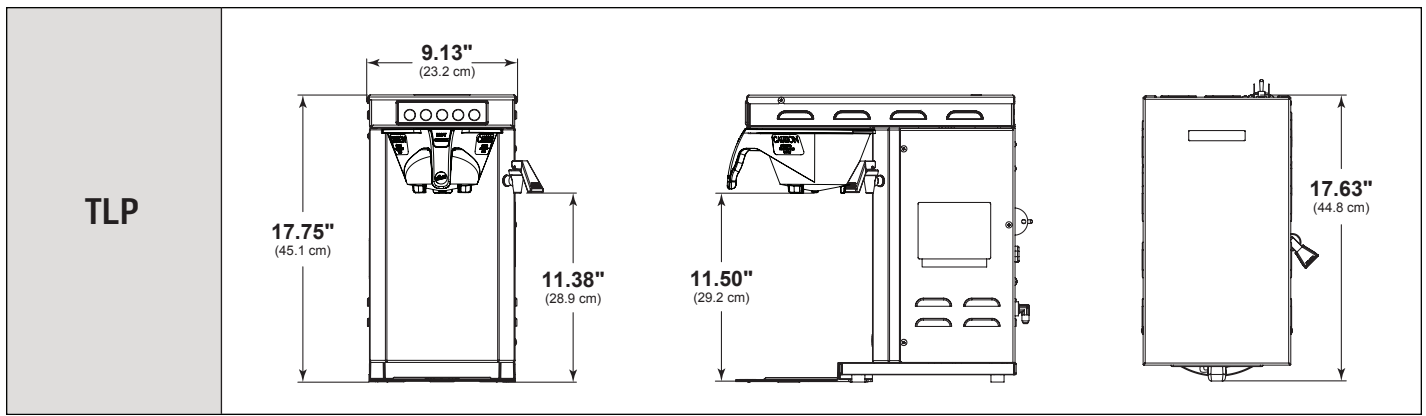
ITEM NO

PROJECT

DATE

FEATURES AT A GLANCE

- **Advanced Digital System** – Fully encased smart card control module delivers precision performance and superior reliability.
- **Touch Controls** – Provides million-cycle switches and protection from spare parts handling damage.
- **Pulse Brew Technology** – Choice of three pulse brew options for optimal coffee flavor and brewing excellence.
- **Programmable Brewing Volume** – Factory preset for 2.5L (84.5 oz.) airpots.
- **Brew Cycle Counter** – Tracks brew cycles.
- **Programmable Temperature Control** – Factory preset to 200°F. Temperature is easily adjusted in 2°F increments from 170° to 206° F for optimum coffee quality. Keeps brew temperature constant. Easily handles back-to-back brewing cycles. Plus, liquid level control interface prevents element burnout.
- **External/Non-Immersed Temperature Sensor** – Eliminates mineral build-up.
- **Convenient Hot Water** – Draw hot water for tea, hot chocolate or soup – even during the brew cycle. Optional left side faucet available.
- **Innovative AFS Sprayhead** – Perfectly saturates the coffee grounds to extract the richest, fullest flavor from every type of coffee, resulting in a perfect brew every time.
- **Quick and Simple Installation** – Standard 120VAC operation.



BREWER SPECIFICATIONS

MODEL #	DIMENSIONS (H x W x D)	PHASE	HEATER CONFIGURATION	VOLTAGE	WIRE	WATTS	AMPS	MIN. FLOW RATE	WATER CONNECTOR	SHIP WEIGHT	SHIP CUBE
TLP	17.75" X 9.13" X 17.63"	1 PH	1 X 1450W	120V	2W+G	1500W	12.5A	1.0 GPM	1/4" Flare	29.0 lbs.	3.5 cu. ft.
TLP12A	17.75" X 9.13" x 17.63"	1 PH	1 X 1450W	120V	2W+G	1500W	12.5A	1.0 GPM	1/4" Flare	29.0 lbs.	3.5 cu. ft.
TLP12A19	19.00" X 9.13" x 17.93"	1 PH	1 X 1450W	120V	2W+G	1500W	12.5A	1.0 GPM	1/4" Flare	29.0 lbs.	3.5 cu. ft.

SPECIFICATIONS SUBJECT TO CHANGE WITHOUT NOTICE



WILBUR CURTIS CO., INC.
 6913 Acco Street, Montebello, CA 90640-5403
 Telephone: 800-421-6150 · 323-837-2300
 Fax: 323-837-2406
 www.wilburcurtis.com

