

# MagiKitch'n®

Project \_\_\_\_\_

Item No. \_\_\_\_\_

Quantity \_\_\_\_\_

## Model MKE Electric Griddle 24", 36", 48", 60" and 72"



\*\*ENERGYSTAR® Models



MKE36

### STANDARD FEATURES

- 1" (2.5 cm) thick polished griddle plate
- Large 3.75 gallon grease box (two on 72" model)
- Front grease trough, fully welded grease chute
- Tapered splash back
- Double walled stainless sides
- Electric thermostat
- 5.7 kW/12", thermostatically controlled every 12".
- 4" legs (can be removed for flush mounting)

### OPTIONS & ACCESSORIES (AT ADDITIONAL COST)

- Solid State thermostat maintains temperature between 150°F and 550°F.
- Chrome griddle plate (includes scraper, spatula, Palmetto brush, and MagiKitch'n griddle cleaner)
- Griddle plate with Left and Front grease trough
- Griddle plate with Rear grease trough
- Removable Griddle Divider
- Service Shelf available in 8", 10" or 12" depth
- Pan cutouts for 1/6 -1/9 pan on 10" or 12" shelf
- Towel bar with or without service shelf
- Cutting board for 10" or 12" shelf (specify length)
- NSF approved, Stainless steel griddle stand with legs
  - Stand with optional casters.
- 6 foot, 60 Amp cord(s) with NEMA 15-60P Plug. (208V OR 240V three phase only. 2 are required for MKE48,60, or 72)

### STANDARD SPECIFICATIONS CONSTRUCTION

- Heavy 1" (2.5 cm) thick polished griddle plate
  - *Optional:* Chrome plated top with mirror finish
- Side skirting fully welded around plate perimeter
- Extra smooth 11 ga. skirt finish for ease of cleaning
- Tapered splash back with no debris contour
- Wide 3-1/2" (8.9 cm) spatula wide front grease trough
- Grease chute is fully welded to stop grease migration
- Large 3.75 gal (14ltr) grease box with quick lift handle
- Grease box splash zone compartment
- Double walled and reinforced stainless steel sides
- Solid panel cabinet base for flush mount capability
- Easy to remove cabinet back for easy cleaning
- No exposed fasteners allowing easy cleanup
- Incoloy sheathed elements pressure clamped to bottom of griddle plate
- ON/OFF SW with each temperature control

### MODELS

- MKE24 (11.4 kW)
- MKE36\*\* (17.1 kW)
- MKE48\*\* (22.8 kW)
- MKE60\*\* (28.5 kW)
- MKE72\*\* (34.2 kW)

### CONTROLS

- Standard Electric thermostat maintains temperature between 200°F and 550°F.
- All temperature probes are embedded into the plate for faster response time and more accurate surface temperatures.



Model MKE Electric Griddle 24", 36", 48", 60" and 72"



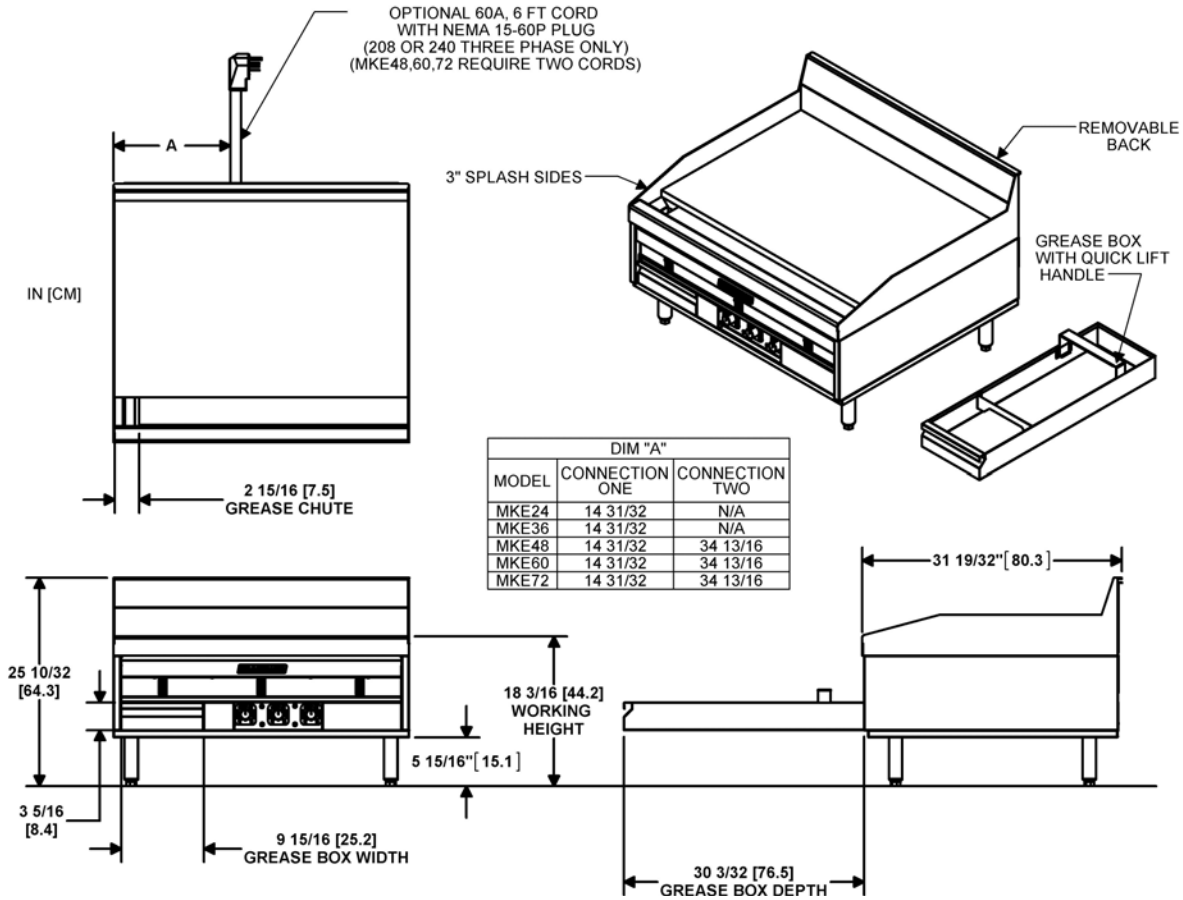
MagiKitch'n • P.O. Box 501, Concord, NH 03302-0501 • 553 Route 3A, Bow, NH 03304  
603-225-6684 • FAX: 603-225-8497 • [www.magikitch'n.com](http://www.magikitch'n.com)

L10-356 Rev 6 10/17

Printed in the USA

# Model MKE Electric Griddle 24", 36", 48", 60" and 72"

Model MKE Electric Griddle 24", 36", 48", 60" and 72"



INDIVIDUAL GRIDDLE SPECIFICATIONS					SHIPPING INFORMATION (Approximate)		
Model	Cooking Area	Control #	Width	Grease Box	Shipping Weight	Shipping Crate Size L x W x H	Shipping Cube
MKE24	24 x 23-3/4 in (61x 60cm)	2	24" (61cm)	Left	370 Lbs (168kg)	42 x 36 x 36 in (107 x 92 x 92 cm)	31.5 ft <sup>3</sup> (0.9 m <sup>3</sup> )
MKE36	24 x 35-3/4 in (61x 90cm)	3	36" (91cm)	Left	530 Lbs (240kg)	52 x 45 x 42 in (132 x 114 x 107 cm)	56.9 ft <sup>3</sup> (1.6 m <sup>3</sup> )
MKE48	24 x 47-3/4 in (61x 121cm)	4	48" (122cm)	Left	675 Lbs (306 kg)	52 x 45 x 42 in (132 x 114 x 107 cm)	56.9 ft <sup>3</sup> (1.6 m <sup>3</sup> )
MKE60	24 x 59-3/4 in (61x 151cm)	5	60" (152cm)	Left	830 Lbs (376 kg)	75 x 45 x 40 in (190 x 114 x 102 cm)	78.1 ft <sup>3</sup> (2.2 m <sup>3</sup> )
MKE72	24 x 71-3/4 in (61x 182cm)	6	72" (183cm)	Left & Right	935 Lbs (424 kg)	75 x 45 x 40 in (190 x 114 x 107 cm)	78.1 ft <sup>3</sup> (2.2 m <sup>3</sup> )

(1) MKE Griddle and Stands are shipped separately (consult factory for shipments with equipment stands)

ELECTRICAL REQUIREMENTS			Nominal Amps Per Line (50/60 hz)										
			Single Phase (2 wire+ground wire)				3 Phase (3 wire+ground wire)				3 Phase "Y" (4 wire+ground wire)		
Model	Total kW	Volts	200V	208V	220V	240V	200V	208V	220V	240V	380/220V	400/230V	415/240V
MKE24	11.4	<b>MAX AMPS PER PHASE</b>	52.7 (19.5 kW)	54.8	43.5 (9.6 kW)	47.5	30.4 (19.5 kW)	31.6	25.1 (9.6 kW)	27.4	14.6 (9.6 kW)	15.1 (10.5 kW)	15.9
MKE36	17.1		79.0 (15.8 kW)	82.2	65.3 (14.4 kW)	71.3	45.6 (15.8 kW)	47.5	37.7 (14.4 kW)	41.1	21.8 (14.4 kW)	22.7 (15.7 kW)	23.8
MKE48*	22.8		52.7 (21.1 kW)	54.8	43.5 (19.2 kW)	47.5	30.4 (21.1 kW)	31.6	25.1 (19.2 kW)	27.4	14.6 (19.2 kW)	15.1 (20.9 kW)	15.9
MKE60*	28.5		79.0 (26.3 kW)	82.2	65.3 (23.9 kW)	71.3	45.6 (26.3 kW)	47.5	37.7 (23.9 kW)	41.1	21.8 (23.6 kW)	22.7 (26.2 kW)	23.8
MKE72*	34.2		79.0 (31.6 kW)	82.2	65.3 (28.7 kW)	71.3	45.6 (31.6 kW)	47.5	41.1 (31.3 kW)	41.1	21.8 (28.7 kW)	22.7 (31.4 kW)	23.8

\*These models require Two Power Supplies

CLEARANCES							
Front min.	Bottom min.	Combustible material				Non-Combustible material	
		Sides min.	Rear min.	Sides min.	Rear min.		
30-1/8" (76.5 cm)	0"	<b>NON-CE</b>		2" (5.1cm)	6" (15.2cm)	0"	6" (15.2cm)
		<b>CE</b>		6" (15.2cm)	6" (15.2cm)	0"	6" (15.2cm)

**SHORT FORM SPECIFICATION**  
Provide MagiKitch'n electric griddle. Griddle shall be a single 1" thick steel griddle top unit with no debris tapered splash back. Smooth 11 ga. sides with 3-1/2" (8.9cm) wide fully welded front grease trough and chute. Large 3.75gal (14ltr) grease box with quick lift handle. Stainless steel double panel sides and cabinet base. Provide Options & Accessories as follows:



**MagiKitch'n** • P.O. Box 501, Concord, NH 03302-0501 • 553 Route 3A, Bow, NH 03304  
603-225-6684 • FAX: 603-225-8497 • [www.magikitch'n.com](http://www.magikitch'n.com)

L10-356 Rev 6 10/17

Printed in the USA

We reserve the right to change specifications without notice and without incurring any obligation for equipment previously or subsequently sold.