

COMBI OVEN-STEAMER Options & Accessories

Project _____
 Item _____
 Quantity _____
 FCSI Section _____
 Approval _____
 Date _____

Stands, Convotherm 4 models, 6.10's & 10.10's

- All equipment stands are made of high-quality stainless steel and ensure maximum hygiene standards.

Models



Open equipment stand for table-top models with storage shelf and adjustable legs.

Model #	Description
CST10OB-4	for models 6.10 & 10.10 (P/N 3251500)



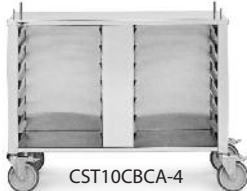
Open equipment stand for table-top models with storage shelf and casters.

Model #	Description
CST10OB-4	for models 6.10 & 10.10 (P/N 3251502)



Equipment stand for table-top models, closed on three sides, 14 pairs of shelf rails and adjustable legs.

Model #	Description
CST10CB-4	for models 6.10 & 10.10 (P/N 3251547)



Equipment stand for table-top models, closed on three sides, 14 pairs of shelf rails and casters.

Model #	Description
CST10CB-4	for models 6.10 & 10.10 (P/N 3251549)



Equipment stand for table-top models, fully enclosed with double doors, 14 pairs of shelf rails and adjustable legs.

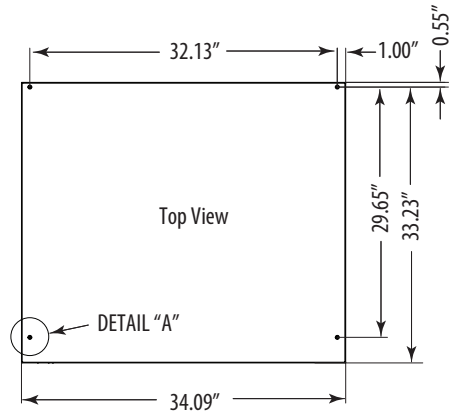
Model #	Description
CST10CBHD-4	for models 6.10 & 10.10 (P/N 3251552)



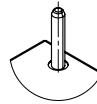
Equipment stand for table-top models, fully enclosed with double doors, 14 pairs of shelf rails and casters.

Model #	Description
CST10CBHD-4	for models 6.10 & 10.10 (P/N 3251554)

For all stands

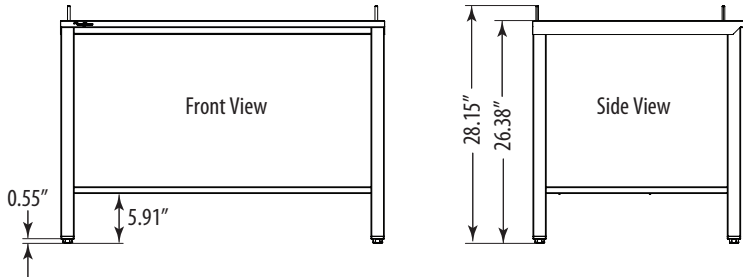


DETAIL "A"

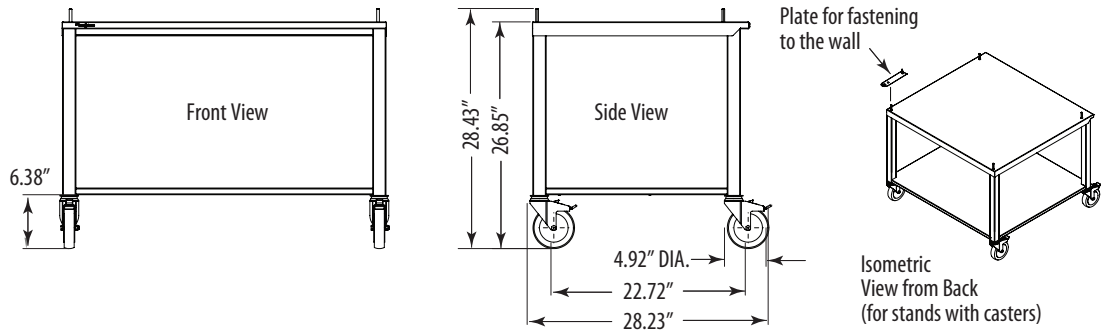


Four (4) screw-in pins for locating and mounting the Convotherm 4 on to the stand. (shipped loose)

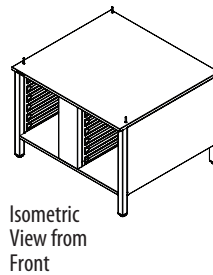
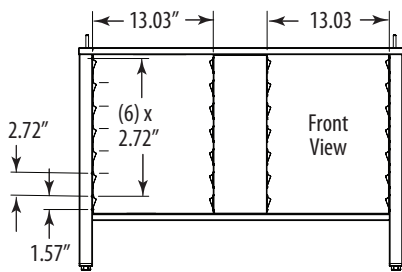
For all stands without casters



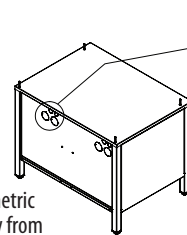
For all stands with casters



For all stands with shelf rails



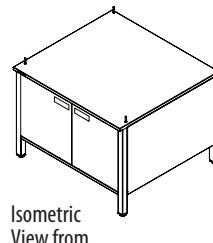
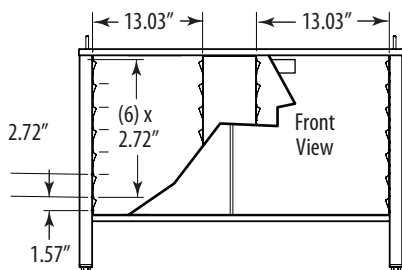
Isometric View from Front



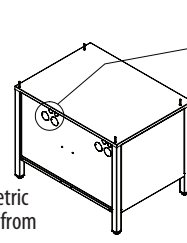
Isometric View from Back

Holes to feed hoses through

For all stands with doors



Isometric View from Front



Isometric View from Back

Holes to feed hoses through

NOTES:

Convotherm reserves right of design improvement or modification, as warranted.
 Many regional, state and local codes exist and it is the responsibility of the owner and installer to comply with the codes.
 Convotherm equipment is built to comply with applicable standards for manufacturers.