

- AFFORDABLE
- STACKABLE
- LOW AMPERAGE
- PROTECTED CONTROLS
- SEALED MOTOR
- DAISY CHAIN 3-4 UNITS

NEW





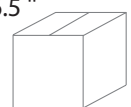

18.5"

16.25"

20"



BGAM3000 air mover

1/3 hp	3 speed	2.9 amps	115 vac	60 hz	24.2 lbs.
 24 units	 315 units	 16.5" 18.75" 20.5"	 2X GFCI	material ABS	
ETL certified		1050 cfm	25 foot cord		