



# WOOD TOP BAKERS TABLES with Coved Risers



TBS-TBG Series  
with Open Base

**FOR MAPLETEX TABLES WITH  
COVED RISERS, PLEASE  
CONSULT FACTORY**

Item #: \_\_\_\_\_ Qty #: \_\_\_\_\_  
 Model #: \_\_\_\_\_  
 Project #: \_\_\_\_\_

Spice Blns and Shelf are Available



BS-BG Series  
with Undershef

## TBS-TBG Series Open Base

Approx. Shipping Weight  
is 30 lbs. per lineal foot

### Stainless Steel Base Galvanized Base

| Length | 30" Wide | 36" Wide | 30" Wide | 36" Wide |
|--------|----------|----------|----------|----------|
| 48"    | TBS-304  | TBS-364  | TBG-304  | TBG-364  |
| 60"    | TBS-305  | TBS-365  | TBG-305  | TBG-365  |
| 72"    | TBS-306  | TBS-366  | TBG-306  | TBG-366  |
| 84"    | TBS-307  | TBS-367  | TBG-307  | TBG-367  |
| 96"    | TBS-308  | TBS-368  | TBG-308  | TBG-368  |



BST-BGT Series  
with 3 Tier Drawers

## BS-BG Series Undershef

Approx. Shipping Weight  
is 35 lbs. per lineal foot

### Stainless Steel Base Galvanized Base

| Length | 30" Wide | 36" Wide | 30" Wide | 36" Wide |
|--------|----------|----------|----------|----------|
| 48"    | BS-304   | BS-364   | BG-304   | BG-364   |
| 60"    | BS-305   | BS-365   | BG-305   | BG-365   |
| 72"    | BS-306   | BS-366   | BG-306   | BG-366   |
| 84"    | BS-307   | BS-367   | BG-307   | BG-367   |
| 96"    | BS-308   | BS-368   | BG-308   | BG-368   |



**FEATURING BOLT-ON  
STAINLESS STEEL LEG**

## BST-BGT Series 3 Tier Drawer

Approx. Shipping Weight  
is 40 lbs. per lineal foot

### Stainless Steel Base Galvanized Base

| Length | 30" Wide    | 36" Wide    | 30" Wide    | 36" Wide    |
|--------|-------------|-------------|-------------|-------------|
| 48"    | BST-304LorR | BST-364LorR | BGT-304LorR | BGT-364LorR |
| 60"    | BST-305LorR | BST-365LorR | BGT-305LorR | BGT-365LorR |
| 72"    | BST-306LorR | BST-366LorR | BGT-306LorR | BGT-366LorR |
| 84"    | BST-307LorR | BST-367LorR | BGT-307LorR | BGT-367LorR |
| 96"    | BST-308LorR | BST-368LorR | BGT-308LorR | BGT-368LorR |

## FEATURES & CONSTRUCTION:

Laminated 1-3/4" thick Hard Wood Top with 4" coved corner risers.

Gussets welded to support channels.

### BST or BGT Series

Three tier drawer unit features 20" x 20" x 5" Deep Drawn insets mounted on bearing slides. Legs bolt on to table base.

### BS or BG Series

Aluminum die cast "leg-to-shelf" clamp secures shelf to leg eliminating unsightly nuts and bolts. Undershef is adjustable.

### TBS or TBG Series

Front to back Stretchers are welded to legs. Left to right Stretcher bolted to legs and requires assembly.



## MATERIAL:

**TOP:** Laminated 1-3/4" thick hard maple with 4" coved corner risers and reinforced with steel rods.

**SHELF:** **BS Series:** 18 gauge stainless steel.  
**BG Series:** Heavy gauge galvanized steel.

**TIER DRAWER:** 18 gauge stainless steel body, drawer fronts and handles.

**LEGS:** **BS - TBS - BST Series:** 1 5/8" diameter tubular stainless steel gussets; bolt-on legs are stainless steel and include 1 1/2" adjustable hex foot.

**BG - TBG - BGT Series:** 1 5/8" diameter heavy gauge tubular galvanized steel with galvanized steel gussets and 1" adjustable plastic bullet feet.



**Customer Service Available To Assist You 1-800-645-3166 8:30 am - 8:00 pm E.S.T.**

For Orders & Customer Service:

Email: customer@advancetabco.com or Fax: 631-242-6900

For Smart Fabrication™ Quotes:

Email: smartfab@advancetabco.com or Fax: 631-586-2933

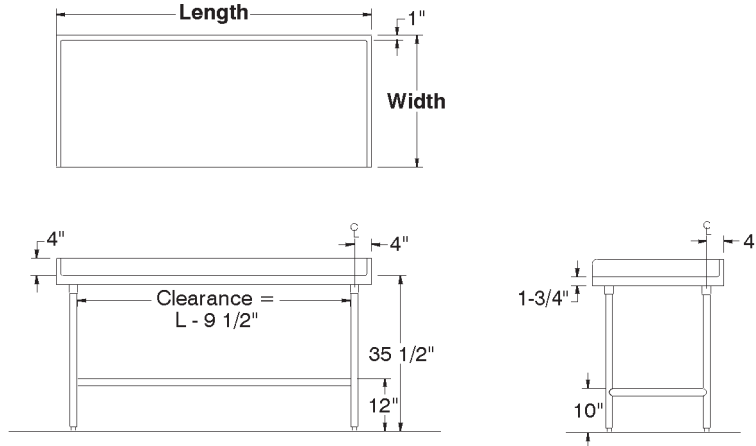
# DETAILS and SPECIFICATIONS

TOL ± .500"

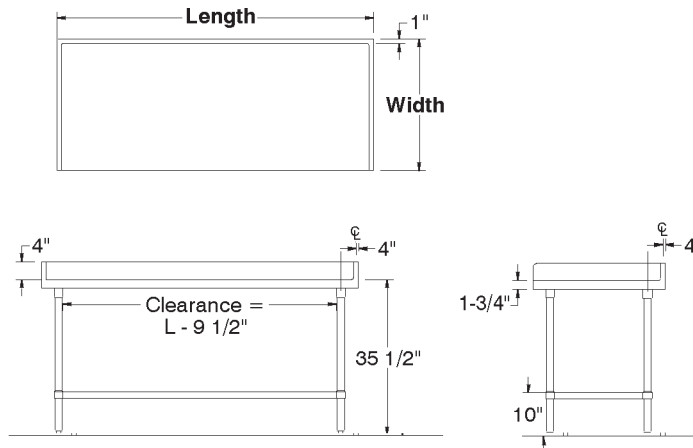
Units 8 ft. & larger are furnished with six (6) legs.

ALL DIMENSIONS ARE TYPICAL

## TBS-TBG Series Open Base



## BS-BG Series Undershelf



## BST-BGT Series 3 Tier Drawer

