

## RETRACTABLE CEILING MOUNTED INFRA RED WARMERS IFW-63 SERIES

### FEATURES AND BENEFITS:

- Adjustable ceiling mounted infra red warmer. Keeps food warm and appetizing for total customer satisfaction.
- Spring tension cord reel lowers unit when needed, retracts when not in use. Two lengths available.
- Supplied with shatter resistant and thermal shock resistant 250 Watt red lamp (120 Volts). White lamp available upon request.
- On-Off switch located at socket for convenience.
- Our standard hood style is available in your choice of four colors: Polished Brass, Polished Nickel, Black or Red.



IFW-63-10-R

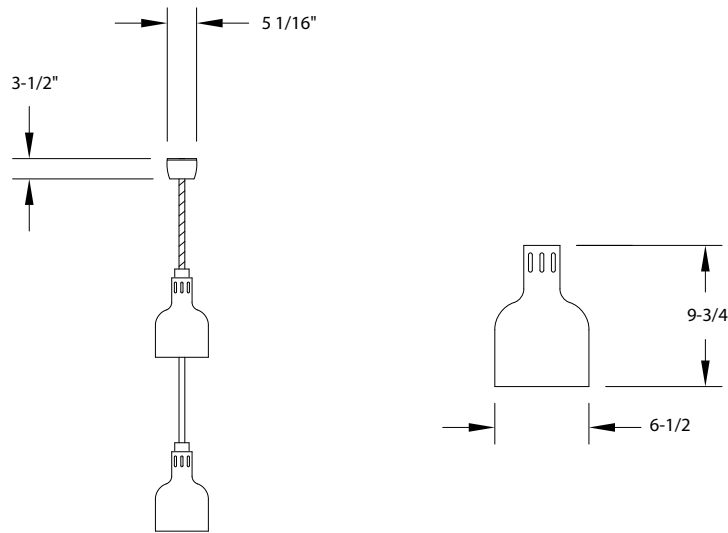


### ACCESSORIES and OPTIONS (Available at extra cost):

- Shatter Proof Lamp
- 240 Volt Service

See page I-13 for accessory details.

# IFW-63 Series



CRES COR MODEL NO. & HOOD STYLE	PULL DOWN EXTENSIONS: O.A. ADJUSTABLE LENGTHS		WEIGHT ACT.	
	INCHES	MM	LBS.	KG.
IFW-63-10*	23 - 60-1/2	585 - 1555	4	2
IFW-63-L-10*	31 - 68-1/2	790 - 1755	5	2

\*Add color suffix:

**PN = Polished Nickel**

**PB = Polished Brass**

**BL = Black**

**R = Red**

### WARMER:

- Canopy: Spun from .051 aluminum, black anodized.
- Hanger: 16 ga. steel, 1 x 4-15/16 with slots for #10 screws; mounts canopy to customer ceiling box.
- Switch housing: 20 ga. steel, black anodized.
- Hood: Spun from .051 aluminum; powder coat finish.

### PULL DOWN ASSEMBLY:

- Kord: 18/3 ga., type SJT conductor, black, 1" dia.; grounded to cable.
- Unit has positive stop in any position.
- Units are completely wired and assembled.
- Install on 4" standard ceiling box.
- Do not mount closer than 16" above non-metallic surface for 250 Watts.

### ELECTRICAL COMPONENTS:

- Toggle switch.
- Socket: Porcelain.
- Lamp: 250 Watts, red.

### POWER REQUIREMENTS:

- 250 Watts, 120 Volts, 60 Hz., single phase, 2 Amps., 15 Amp. service.

### SHORT FORM SPECIFICATIONS

Cres Cor Retractable Ceiling Mounted Infra Red Warmer Model IFW-63-\_\_\_\_\_. Hood .051 spun aluminum; powder coat finish (color: \_\_\_\_\_). O.A. length: \_\_\_\_\_. Canopy holds cord reel. 250 Watts, 120 Volts, 60 Hz., 1 Phase, 15 Amp. service. 2-Year Parts / 1-Year Labor warranty. Provide the following accessories: \_\_\_\_\_ . NSF, CSA-US, CSA-C Listed.



5925 Heisley Road • Mentor, OH 44060-1833  
Phone: 877/CRESCOR • Fax: 440/350-7267  
www.crescor.com

© Crescent Metal Products, Inc. 2013 All rights reserved.

*In line with its policy to continually improve its products, CRES COR reserves the right to change materials and specifications without notice.*

Litho in U.S.A.