



**John  
BOOS**  
Since 1887

ITEM #: \_\_\_\_\_ QTY: \_\_\_\_\_  
 MODEL #: \_\_\_\_\_  
 PROJECT NAME: \_\_\_\_\_

070317

3601 S. Banker St. Effingham, IL 62401 • P.O. BOX 609 • Ph: (888) 431-2667 • Fax: (800) 433-2667

## **"FBLS" STAINLESS STEEL TOP WORK TABLES**



**18GA TOP AND STAINLESS LEGS AND ADJUSTABLE UNDERSHELF**

**\*BUDGET E-SERIES\***

### **FEATURES:**

- 18 GAUGE STAINLESS STEEL TOP
- TYPE 430 STAINLESS STEEL WITH SATIN FINISH
- TOP IS SOUND DEADENED
- REINFORCED WITH 1"X2" CHANNEL RUNNING ENTIRE LENGTH OF TABLE
- 1-1/2" STALLION EDGE ON FRONT AND REAR WITH SIDE EDGES 90 DEGREE BEND DOWN FOR TABLE LINE-UP
- STAINLESS STEEL BASE AND ADJUSTABLE UNDERSHELF
- SHIPPED KNOCKED-DOWN, EASY-TO-ASSEMBLE
- NSF AND CSA CERTIFIED



FBLS4830

### **CONSTRUCTION:**

- TOP: STAINLESS STEEL TOPS ARE TIG WELDED, EXPOSED WELDS ARE POLISHED TO MATCH ADJACENT SURFACE.

### **MATERIAL:**

- TOP: 18 GAUGE STAINLESS STEEL TYPE 430 STAINLESS STEEL MECHANICALLY POLISHED, SATIN FINISH
- SHELF: 18 GAUGE STAINLESS STEEL
- LEGS: 1-5/8" ROUND O.D. 16 GAUGE TUBULAR STAINLESS STEEL
- GUSSETS: STAINLESS STEEL
- FEET: 1" ADJUSTABLE PLASTIC BULLET FEET

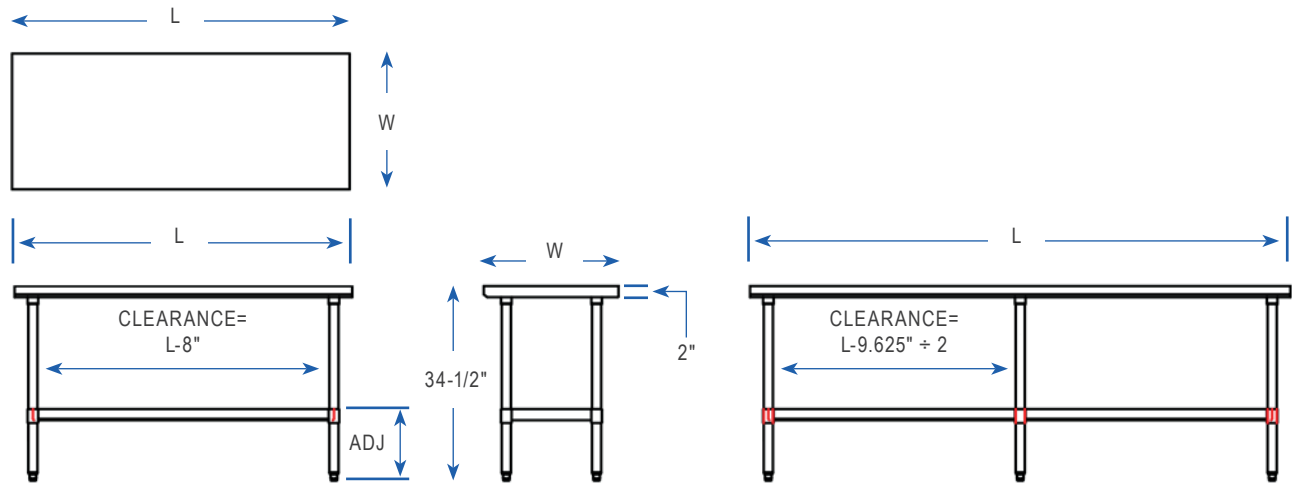


ADJUSTABLE SHELF

### **STAINLESS STEEL TOP WORK TABLES**

18" WIDE	QTY	24" WIDE	QTY	30" WIDE	QTY
FBLS2418		FBLS2424		-	
FBLS3018		FBLS3024		FBLS3030	
FBLS3618		FBLS3624		FBLS3630	
FBLS4818		FBLS4824		FBLS4830	
FBLS6018		FBLS6024		FBLS6030	
FBLS7218		FBLS7224		FBLS7230	
FBLS9618		FBLS9624		FBLS9630	

## DETAILED SPECIFICATIONS



- UNITS 7 FT. AND LARGER ARE FURNISHED WITH SIX LEGS.
- FINISHED SIZE OF UNDERSHELF.  
 SHELF LENGTH = LENGTH MINUS 4.875"  
 SHELF WIDTH = WIDTH MINUS 4.25"

### STAINLESS STEEL TOP WORK TABLES

LENGTH	18" WIDE	WT. (LBS)	24" WIDE	WT. (LBS)	30" WIDE	WT. (LBS)
24"	FBLS2418	35	FBLS2424	40	-	-
30"	FBLS3018	38	FBLS3024	45	FBLS3030	50
36"	FBLS3618	41	FBLS3624	50	FBLS3630	56
48"	FBLS4818	44	FBLS4824	61	FBLS4830	69
60"	FBLS6018	47	FBLS6024	71	FBLS6030	82
72"	FBLS7218	50	FBLS7224	83	FBLS7230	94
96"	FBLS9618	56	FBLS9624	111	FBLS9630	128

SOME UNITS SHIP UNASSEMBLED FOR REDUCED SHIPPING COST. ALL DIMENSIONS ARE TYPICAL. TOLERANCE +/- .500"  
 John Boos & Co. is constantly engaged in a program of improving products and therefore reserves the right to change specifications without prior notice.

