



"JNB" Maple Top Work Tables

w/ 1 1/2" thick Hard Rock Maple Top
w/ Galvanized Base

AUTOQUOTES



1-1/2" MAPLE TOP w/ GALVANIZED BASE					
24"WIDE	Qty	30"WIDE	Qty	36"WIDE	Qty
JNB01		JNB07		JNB13	
JNB02		JNB08		JNB14	
JNB03		JNB09		JNB15	
JNB04		JNB10		JNB16	
JNB04A		JNB10A		JNB16A	
JNB05		JNB11		JNB17	
JNB05A		JNB11A		JNB17A	
JNB06		JNB12		JNB18	

FEATURES:

- * 1 1/2" Thick Hard Rock Maple Top top style "SCT" flat top
- * Maple top is finished with penetrating oil with optional natural clear Varnique Finish
- * Galvanized base and bracing,
- * Bracing adjustable to desired height
- * Adjustable bullet feet
- * Shipped knocked-down, easy - to - assemble
- * Optional drawers, casters, pot racks, etc. available
- * All models are approved by the National Sanitation Foundation

MATERIAL:

Top: Laminated Hard Rock Maple
 Bracing: 1 1/4" Round O.D. 18 gauge tubular galvanized steel
 Legs: 16 gauge Galvanized Steel
 Gussets: Galvanized Steel
 Feet: 1" adjustable galvanized bullet feet

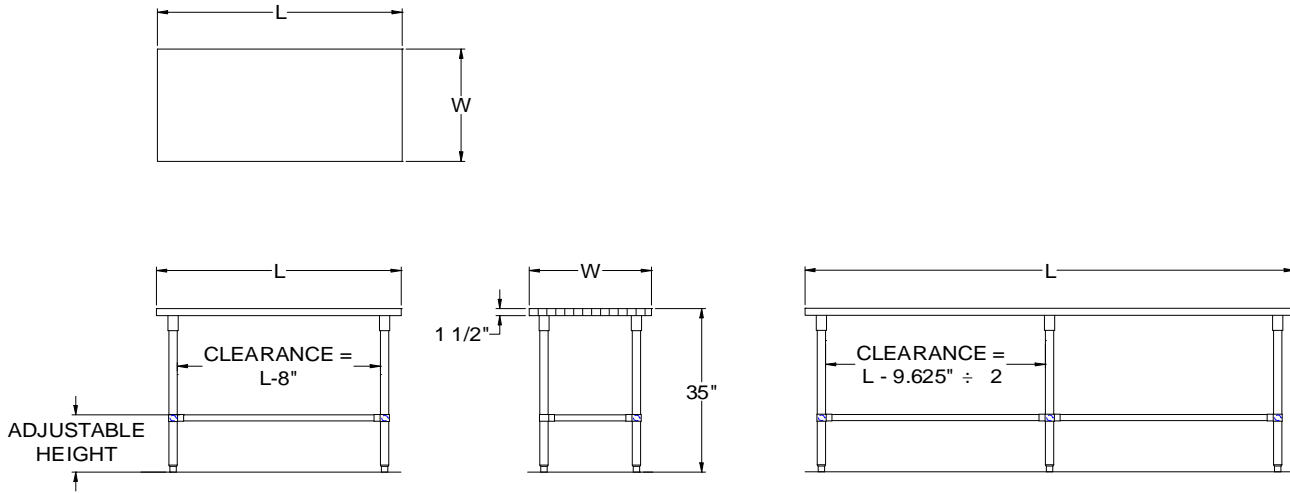
OPTIONAL ACCESSORIES

	MODEL #	Qty
DRAWER		
DRAWER LOCK		
CASTERS		
OVERSHELVES		
POT RACK		

John Boos & Co

3601 S. Banker Street - Effingham, IL 62401
 Email: sales@johnboos.com - Web-site: www. johnboos.com

DETAILED SPECIFICATIONS



All units ship unassembled for reduced shipping cost.

Units 7 ft. and larger are furnished with six legs.

All dimensions are typical.

Tolerance +/- .500".

1-1/2" MAPLE TOP & GALVANIZED BASE

L	24" WIDE	WT.	30" WIDE	WT.	36" WIDE	WT.
36	JNB01	64	JNB07	75	JNB13	100
48	JNB02	79	JNB08	94	JNB14	127
60	JNB03	94	JNB09	112	JNB15	155
72	JNB04	109	JNB10	131	JNB16	190
84	JNB04A	128	JNB10A	154	JNB16A	215
96	JNB05	147	JNB11	177	JNB17	239
108	JNB05A	162	JNB11A	196	JNB17A	261
120	JNB06	117	JNB12	214	JNB18	283

John Boos & Co

3601 S. Banker Str - Effingham, IL 62401 Phone: 217-347-7701 - Fax: 217-347-7705

Email: sales@johnboos.com - Web-site: www.johnboos.com



July 2013

A-6