



ITEM #: \_\_\_\_\_ QTY: \_\_\_\_\_  
 MODEL #: \_\_\_\_\_  
 PROJECT NAME: \_\_\_\_\_

052418

3601 S. Banker St. Effingham, IL 62401 • P.O. BOX 609 • Ph: (888) 431-2667 • Fax: (800) 433-2667



## **"JNB" MAPLE TOP WORK TABLES**

### **1-1/2" THICK HARD ROCK MAPLE FLAT TOP W/ GALVANIZED BASE & ADJUSTABLE BRACING**

#### **FEATURES:**

- 1-1/2" THICK HARD MAPLE TOP, STYLE "SCT" FLAT TOP
- MAPLE TOP IS FINISHED WITH PENETRATING OIL WITH OPTIONAL NATURAL CLEAR VARNIQUE FINISH (VARNIQUE FINISH VOIDS NSF.)
- GALVANIZED BASE AND ADJUSTABLE BRACING
- ADJUSTABLE BULLET FEET
- SHIPPED KNOCKED-DOWN, EASY-TO-ASSEMBLE
- NSF CERTIFIED

#### **MATERIAL:**

- TOP: NORTHERN HARD ROCK MAPLE
- LEGS: 16 GAUGE GALVANIZED STEEL
- BRACING: 18 GAUGE GALVANIZED STEEL (6' TABLES COME WITH 16 GAUGE GALVANIZED STEEL.)
- GUSSETS: GALVANIZED STEEL
- FEET: 1" ADJUSTABLE GALVANIZED STEEL



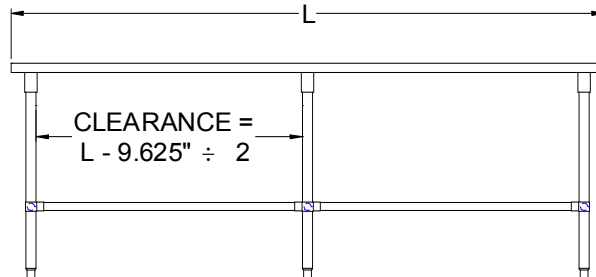
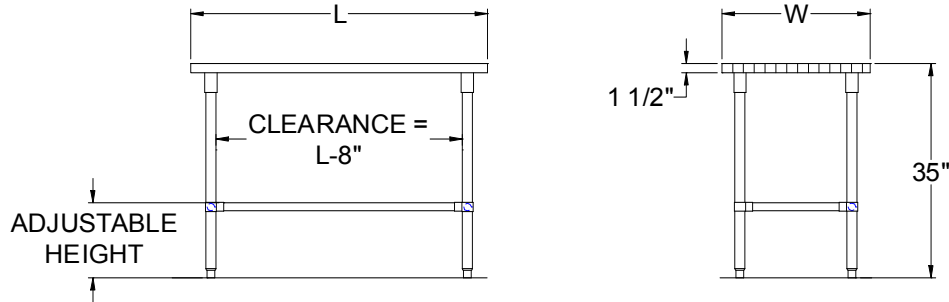
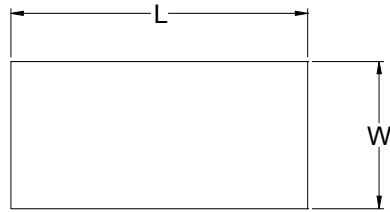
#### **OPTIONAL ACCESSORIES**

DESCRIPTION	MODEL	QTY
DRAWER		
DRAWER LOCK		
CASTERS		
OVERSHELVES		
POT RACK		

#### **MAPLE TOP WORK TABLES**

24" WIDE	QTY	30" WIDE	QTY	36" WIDE	QTY
JNB01		JNB07		JNB13	
JNB02		JNB08		JNB14	
JNB03		JNB09		JNB15	
JNB04		JNB10		JNB16	
JNB04A		JNB10A		JNB16A	
JNB05		JNB11		JNB17	
JNB05A		JNB11A		JNB17A	
JNB06		JNB12		JNB18	

# DETAILED SPECIFICATIONS



- UNITS 7 FT. AND LARGER ARE FURNISHED WITH SIX LEGS.
- FINISHED SIZE OF UNDERSHELF.  
 SHELF LENGTH = LENGTH MINUS 4.875"  
 SHELF WIDTH = WIDTH MINUS 4.25"

## MAPLE TOP WORK TABLES

LENGTH	24" WIDE	WT. (LBS)	30" WIDE	WT. (LBS)	36" WIDE	WT. (LBS)
36"	JNB01	56	JNB07	66	JNB13	76
48"	JNB02	70	JNB08	83	JNB14	97
60"	JNB03	83	JNB09	101	JNB15	117
72"	JNB04	97	JNB10	118	JNB16	138
84"	JNB04A	118	JNB10A	142	JNB16A	166
96"	JNB05	132	JNB11	160	JNB17	186
108"	JNB05A	146	JNB11A	176	JNB17A	206
120"	JNB06	160	JNB12	194	JNB18	227

SOME UNITS SHIP UNASSEMBLED FOR REDUCED SHIPPING COST. ALL DIMENSIONS ARE TYPICAL. TOLERANCE +/- .500"  
 John Boos & Co. is constantly engaged in a program of improving products and therefore reserves the right to change specifications without prior notice.



3601 S. Banker St. • Effingham, IL 62401 • PO BOX 609 • quotes@johnboos.com

[www.johnboos.com](http://www.johnboos.com)