



ITEM #: _____ QTY: _____
 MODEL #: _____
 PROJECT NAME: _____

010118

3601 S. Banker St. Effingham, IL 62401 • P.O. BOX 609 • Ph: (888) 431-2667 • Fax: (800) 433-2667



"JNS" MAPLE TOP WORK TABLES

1-1/2" THICK HARD ROCK MAPLE FLAT TOP W/ GALVANIZED BASE & ADJUSTABLE UNDERSHELF

FEATURES:

- 1-1/2" THICK HARD MAPLE TOP, STYLE "SCT" FLAT TOP
- MAPLE TOP W/ OIL FINISH W/ OPTIONAL VARNIQUE FINISH
- GALVANIZED STEEL BASE AND ADJUSTABLE UNDERSHELF
- ADJUSTABLE BULLET FEET
- SHIPPED KNOCKED-DOWN, EASY-TO-ASSEMBLE
- ALL MODELS ARE APPROVED BY THE NSF

MATERIAL:

- TOP: NORTHERN HARD ROCK MAPLE
- SHELF: 18 GAUGE GALVANIZED STEEL, (*6FT TABLE ONLY, 16 GAUGE)
- LEGS: 16 GAUGE GALVANIZED STEEL
- GUSSETS: GALVANIZED STEEL
- FEET: 1" ADJUSTABLE GALVANIZED STEEL



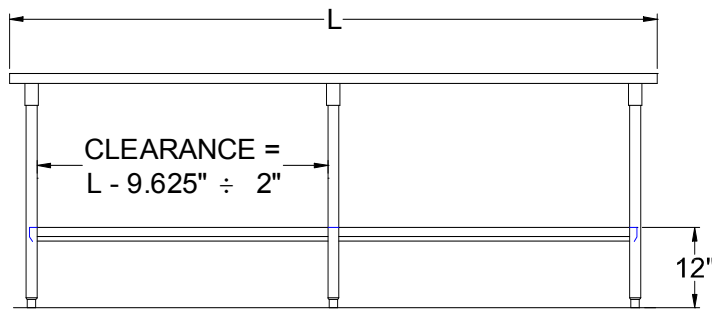
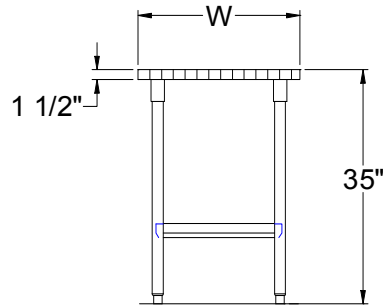
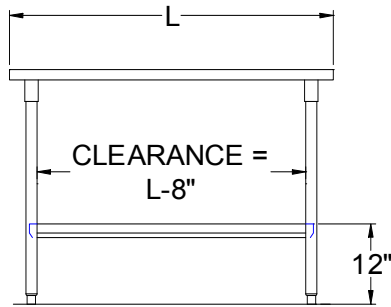
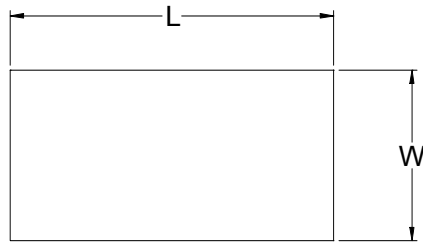
OPTIONAL ACCESSORIES

DESCRIPTION	MODEL	QTY
DRAWER		
DRAWER LOCK		
CASTERS		
ADJ. SHELF		
OVERSHELVES		
POT RACK		

MAPLE TOP WORK TABLES

24" WIDE	QTY	30" WIDE	QTY	36" WIDE	QTY
JNS01		JNS08		JNS15	
JNS02		JNS09		JNS16	
JNS03		JNS10		JNS17	
JNS04		JNS11		JNS18	
JNS05		JNS12		JNS19	
JNS06		JNS13		JNS20	
JNS06A		JNS13A		JNS20A	
JNS07		JNS14		JNS21	

DETAILED SPECIFICATIONS



- UNITS 7 FT. AND LARGER ARE FURNISHED WITH SIX LEGS.
- FINISHED SIZE OF UNDERSHELF.
 SHELF LENGTH = LENGTH MINUS 4.875"
 SHELF WIDTH = WIDTH MINUS 4.25"

MAPLE TOP WORK TABLES

LENGTH	24" WIDE	WT. (LBS)	30" WIDE	WT. (LBS)	36" WIDE	WT. (LBS)
36	JNS01	68	JNS08	82	JNS15	92
48	JNS02	86	JNS09	104	JNS16	117
60	JNS03	104	JNS10	126	JNS17	142
72	JNS04	128	JNS011	151	JNS18	171
84	JNS05	144	JNS112	181	JNS19	204
96	JNS06	165	JNS13	200	JNS20	226
108	JNS06A	176	JNS13A	215	JNS20A	250
120	JNS07	193	JNS14	237	JNS21	270

SOME UNITS SHIP UNASSEMBLED FOR REDUCED SHIPPING COST. ALL DIMENSIONS ARE TYPICAL. TOLERANCE +/- .500"
 John Boos & Co. is constantly engaged in a program of improving products and therefore reserves the right to change specifications without prior notice.



Boos
lock

AQ AutoQuotes

3601 S. Banker St. • Effingham, IL 62401 • PO BOX 609 • quotes@johnboos.com

www.johnboos.com

010118

393