



ITEM #: \_\_\_\_\_ QTY: \_\_\_\_\_  
 MODEL #: \_\_\_\_\_  
 PROJECT NAME: \_\_\_\_\_

062217

3601 S. Banker St. Effingham, IL 62401 • P.O. BOX 609 • Ph: (888) 431-2667 • Fax: (800) 433-2667

**"MS4-GSK" EQUIPMENT STANDS**  
**GALVANIZED BASE**



**FEATURES:**

- 14GA TYPE 300 STAINLESS STEEL TOP WITH #4 POLISH, SATIN FINISH
- REINFORCED WITH A 1/2" CHANNEL RUNNING ENTIRE LENGTH OF TABLE
- SHELF ADJUSTABLE TO DESIRED HEIGHT
- SHIPPED KNOCKED-DOWN, EASY - TO - ASSEMBLE

**MATERIAL:**

- TOP: 14GA STAINLESS STEEL TYPE 300 STAINLESS STEEL WITH #4 POLISH, SATIN FINISH
- SHELF: 18GA GALVANIZED STEEL
- GUSSETS: GALVANIZED STEEL
- FEET: 1" BULLET FEET

**CONSTRUCTION:**

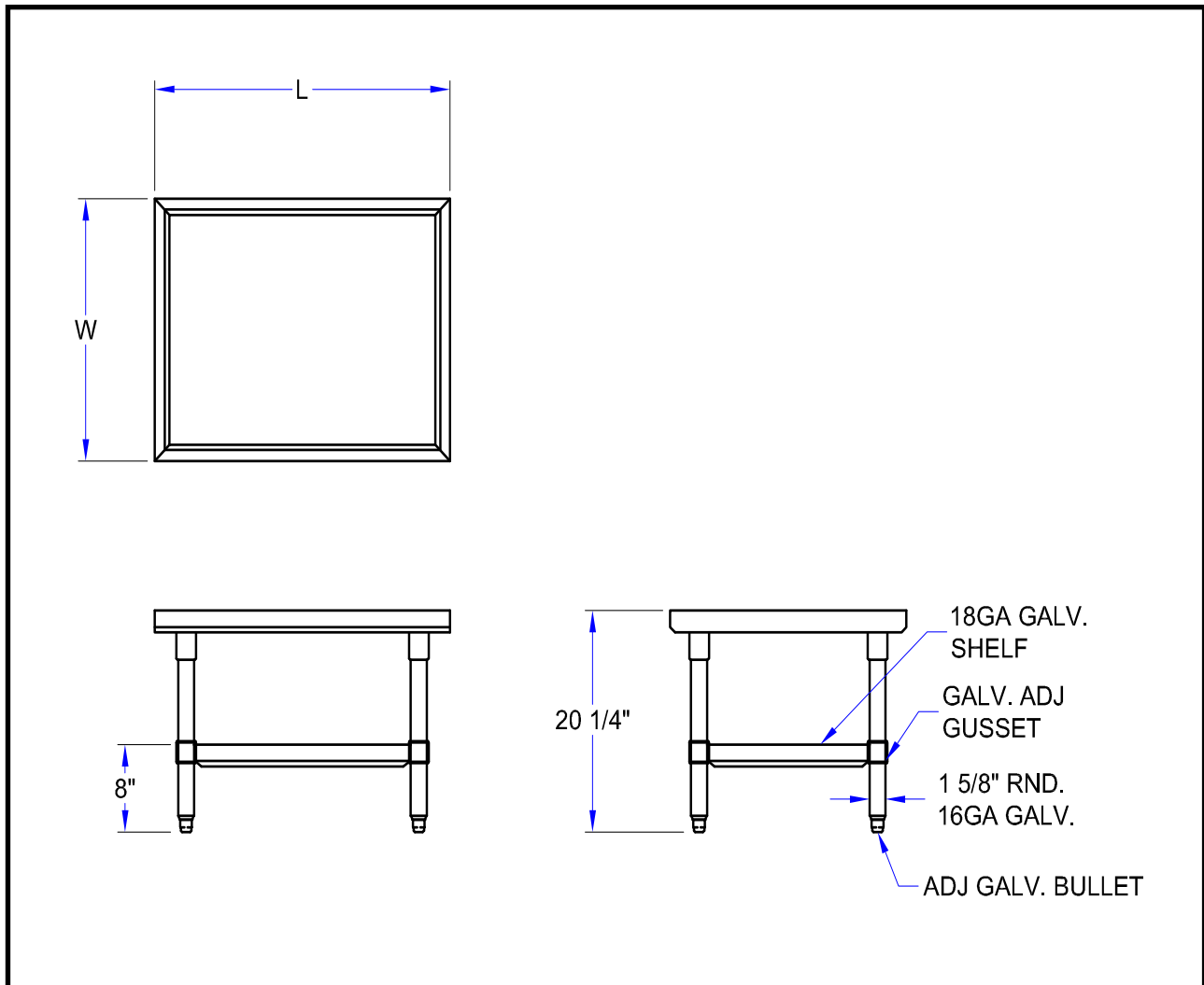
- TOP: STAINLESS STEEL TOPS ARE TIG WELDED, EXPOSED WELDS ARE POLISHED TO MATCH ADJACENT SURFACE
- BASE: MIG WELDED GALVANIZED FRAME



**"MS4-GSK" EQUIPMENT STANDS W/ SHELF BASE**

24" WIDE	QTY	30" WIDE	QTY
MS4-2424GSK		MS4-3030GSK	
MS4-2430GSK		MS4-3036GSK	

## DETAILED SPECIFICATIONS



### "MS4-GSK" EQUIPMENT STANDS W/ SHELF BASE

LENGTH	24" WIDE	WT. (LBS)
24"	MS4-2424GSK	33
30"	MS4-2430GSK	38

### "MS4-GSK" EQUIPMENT STANDS W/ SHELF BASE

LENGTH	30" WIDE	WT. (LBS)
30"	MS4-3030GSK	42
36"	MS4-3036GSK	51

SOME UNITS SHIP UNASSEMBLED FOR REDUCED SHIPPING COST. ALL DIMENSIONS ARE TYPICAL. TOLERANCE +/- .500"  
 John Boos & Co. is constantly engaged in a program of improving products and therefore reserves the right to change specifications without prior notice.

