



**John
BOOS**
Since 1887

ITEM #: _____ QTY: _____

MODEL #: _____

PROJECT NAME: _____

011719

3601 S. Banker St. Effingham, IL 62401 • P.O. BOX 609 • Ph: (888) 431-2667 • Fax: (800) 433-2667

"PBF " 8" SPLASHMOUNT HEAVY DUTY FAUCETS

W/SWING SPOUT

FEATURES:

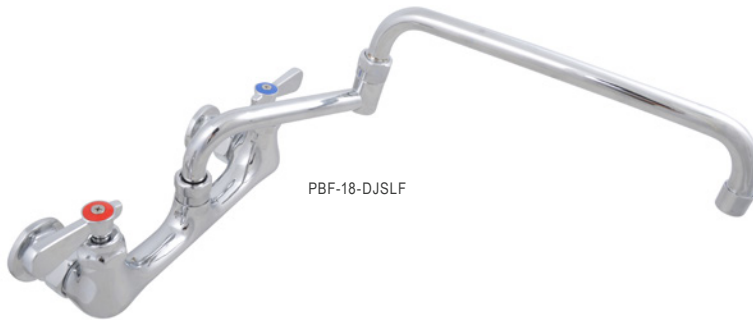
- HEAVY DUTY DOUBLE SEAT 1/4" TURN CERAMIC CARTRIDGES
- COLOR CODED HOT & COLD INDICATORS
- DOUBLE O-RING SPOUT SEAL
- HIGH POLISHED TRIPLE DIPPED CHROME FINISH
- INTEGRAL CHECK VALVE
- LEAD FREE COMPLIANT



ADA
Compliant



PBF-8-SLF

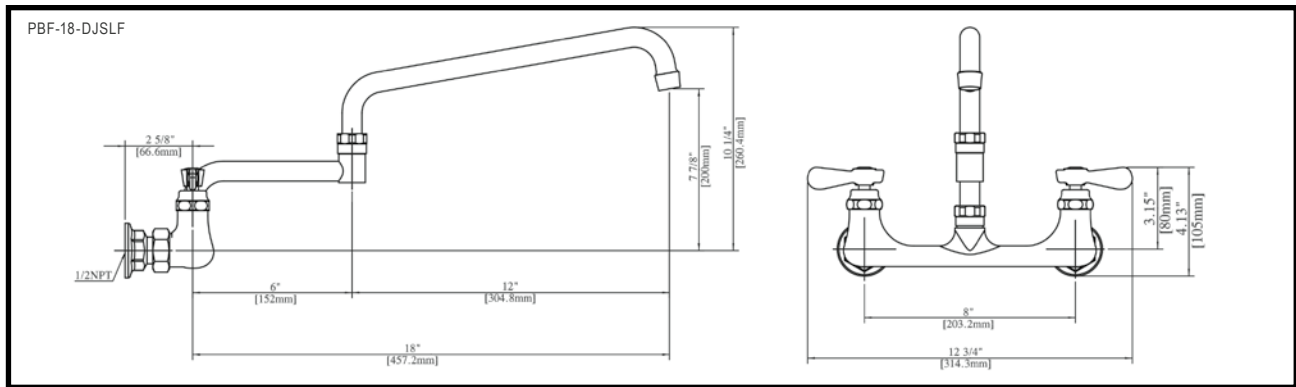
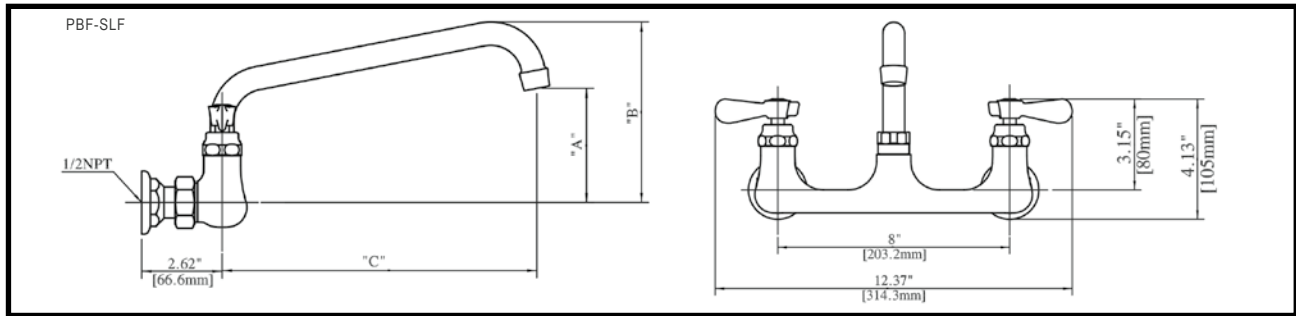


PBF-18-DJSLF

SWING SPOUT, SPLASHMOUNT FAUCETS

MODEL #	DESCRIPTION	QTY
PBF-8-SLF	8" SWING SPOUT	
PBF-10-SLF	10" SWING SPOUT	
PBF-12-SLF	12" SWING SPOUT	
PBF-14-SLF	14" SWING SPOUT	
PBF-16-SLF	SINK MIXING, W/ 16" SWING NOZZLE, WALL MOUNTED, W/ 1/2" NPT	
PBF-18-DJSLF	18" DOUBLE JOINTED SWING SPOUT	

DETAILED SPECIFICATIONS



SWING SPOUT, SPLASHMOUNT FAUCETS

MODEL #	DESCRIPTION	A	B	C
PBF-8-SLF	8" SWING SPOUT	2.75"	5"	8"
PBF-10-SLF	10" SWING SPOUT	2.69"	5.38"	10"
PBF-12-SLF	12" SWING SPOUT	3.56"	5.75"	12"
PBF-14-SLF	14" SWING SPOUT	3.38"	6.14"	14"
PBF-16-SLF	SINK MIXING, W/ 16" SWING NOZZLE, WALL MOUNTED, W/ 1/2" NPT	4.31"	6.56"	16"

DOUBLE SWING SPOUT, SPLASHMOUNT FAUCET

MODEL #	DESCRIPTION
PBF-18-DJSLF	18" DOUBLE JOINTED SWING SPOUT



SOME UNITS SHIP UNASSEMBLED FOR REDUCED SHIPPING COST. ALL DIMENSIONS ARE TYPICAL. TOLERANCE +/- .500"
 John Boos & Co. is constantly engaged in a program of improving products and therefore reserves the right to change specifications without prior notice.



3601 S. Banker St. • Effingham, IL 62401 • PO BOX 609 • quotes@johnboos.com

www.johnboos.com