



**John
BOOS**
Since 1887

ITEM #: _____ QTY: _____

MODEL #: _____

PROJECT NAME: _____

111918

3601 S. Banker St. Effingham, IL 62401 • P.O. BOX 609 • Ph: (888) 431-2667 • Fax: (800) 433-2667

"PBF-4SM" 4" SPLASHMOUNT HEAVY DUTY FAUCETS

FEATURES:

- HEAVY DUTY DOUBLE SEAT 1/4" TURN CERAMIC CARTRIDGES
- COLOR CODED HOT & COLD INDICATORS
- DOUBLE O-RING SPOUT SEAL
- HIGH POLISHED TRIPLE DIPPED CHROME FINISH
- INTEGRAL CHECK VALVE
- LEAD FREE COMPLIANT
- FULL REPLACEMENT PARTS AVAILABLE



ADA
Compliant



PBF-4SM-10LF

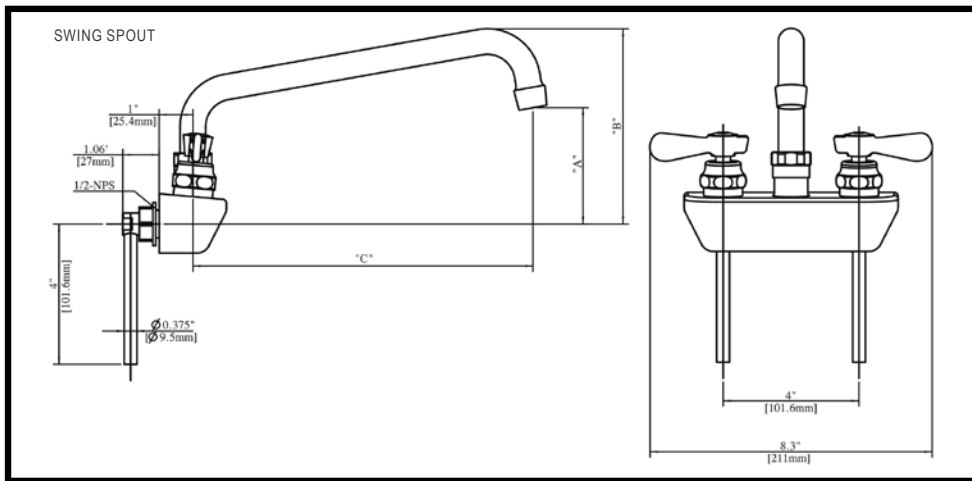
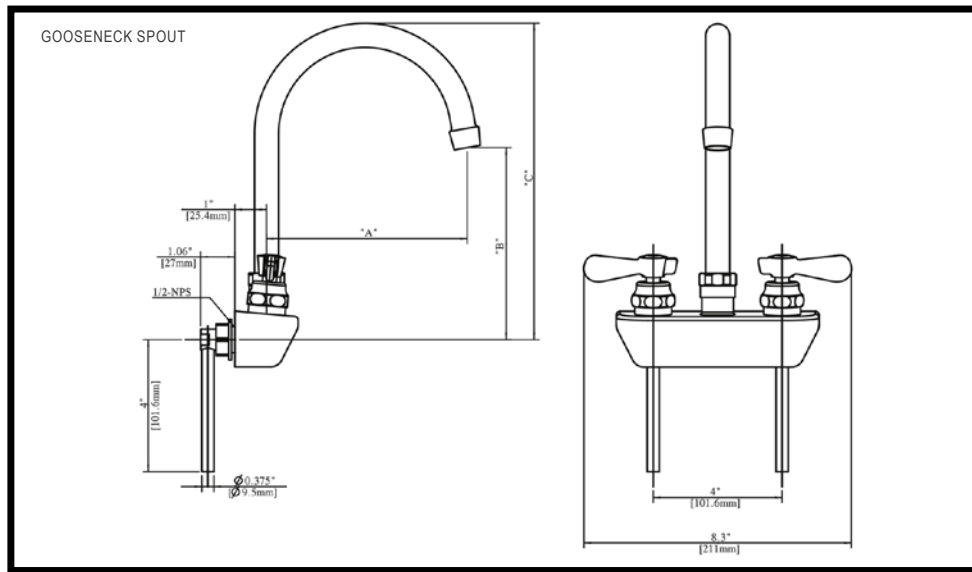


PBF-4SM-3GLF

SPLASHMOUNT FAUCETS

MODEL #	DESCRIPTION	QTY
PBF-4SM-3GLF	3" GOOSENECK SPOUT	
PBF-4SM-5GLF	5" GOOSENECK SPOUT	
PBF-4SM-8GLF	8" GOOSENECK SPOUT	
PBF-4SM2-6LF	6" SWING SPOUT	
PBF-4SM2-8LF	8" SWING SPOUT	
PBF-4SM2-10LF	10" SWING SPOUT	
PBF-4SM2-3GLF	3" GOOSENECK SPOUT, SHALLOW MOUNT	
PBF-4SM2-5GLF	5" GOOSENECK SPOUT, SHALLOW MOUNT	

DETAILED SPECIFICATIONS



SPLASHMOUNT FAUCETS

MODEL #	DESCRIPTION	A	B	C
PBF-4SM-3GLF	3" GOOSENECK SPOUT	3.5"	5.38"	8.13"
PBF-4SM-5GLF	5" GOOSENECK SPOUT	6"	5.13"	9.75"
PBF-4SM-8GLF	8" GOOSENECK SPOUT	8.5"	7.75"	12.63"
PBF-4SM2-6LF	6" SWING SPOUT	2.16"	4.38"	6"
PBF-4SM2-8LF	8" SWING SPOUT	2.56"	4.75"	8"
PBF-4SM2-10LF	10" SWING SPOUT	2.88"	5.17"	10"
PBF-4SM2-3GLF	3" GOOSENECK SPOUT, SHALLOW MOUNT	3.5"	5.38"	8.13"
PBF-4SM2-5GLF	5" GOOSENECK SPOUT, SHALLOW MOUNT	6"	5.13"	9.75"

SOME UNITS SHIP UNASSEMBLED FOR REDUCED SHIPPING COST. ALL DIMENSIONS ARE TYPICAL. TOLERANCE +/- .500"
 John Boos & Co. is constantly engaged in a program of improving products and therefore reserves the right to change specifications without prior notice.



3601 S. Banker St. • Effingham, IL 62401 • PO BOX 609 • quotes@johnboos.com

111918



www.johnboos.com

911