

"3B-1D" B-SERIES COMPARTMENT SINKS

3 Compartment w/1 Drain Board - 16GA w/Stainless Steel Base

FEATURES:

- 16GA Stainless Steel
- Type 300 Stainless Steel w/#4 Polish, Satin Finish
- 14" Deep Bowls
- All Corners, Both Vertical & Horizontal, Coved At 3/4" Radius
- Bottoms Of Bowls Formed For Drainage To 3-1/2" Diameter Die Stamped Opening
- Full Length 10" High Boxed Backsplash, w/2" Return To Wall At 45 Degree & 1" Turned Down Rear Lip
- 1" Faucet Holes In Backsplash
- All Outside Corners Of Assembly Are Bullnosed To Provide Safe, Clean, & Polished Edge
- Standard Stainless Steel Legs 1-5/8" Diameter

SPECIFICATIONS:

- Top: Stainless Steel Sinks Are Tig Welded, Exposed Welds Are Polished To Match Adjacent Surface
- Base: Stainless Steel Bases Are Mig Welded
- Bowls & Top: 16GA Type 300 Stainless Steel w/#4 Polish, Satin Finish
- Legs: 1-5/8" Round O.D. Stainless Steel
- Bracing: 1-1/4" Round O.D. Stainless Steel
- Gussets: Stainless Steel
- Feet: 1" Adjustable Stainless Steel Bullet Feet



3B1824-1D18R
(MODEL SHOWING ONE SET OF FAUCET HOLES)

CERTIFICATIONS:



ACCESSORIES

| MODEL |
|-----------------|
| Faucets |
| Add-A-Faucets |
| Pre-Rinse Units |
| Lever Waste |
| Overshelves |
| Pot Rack |

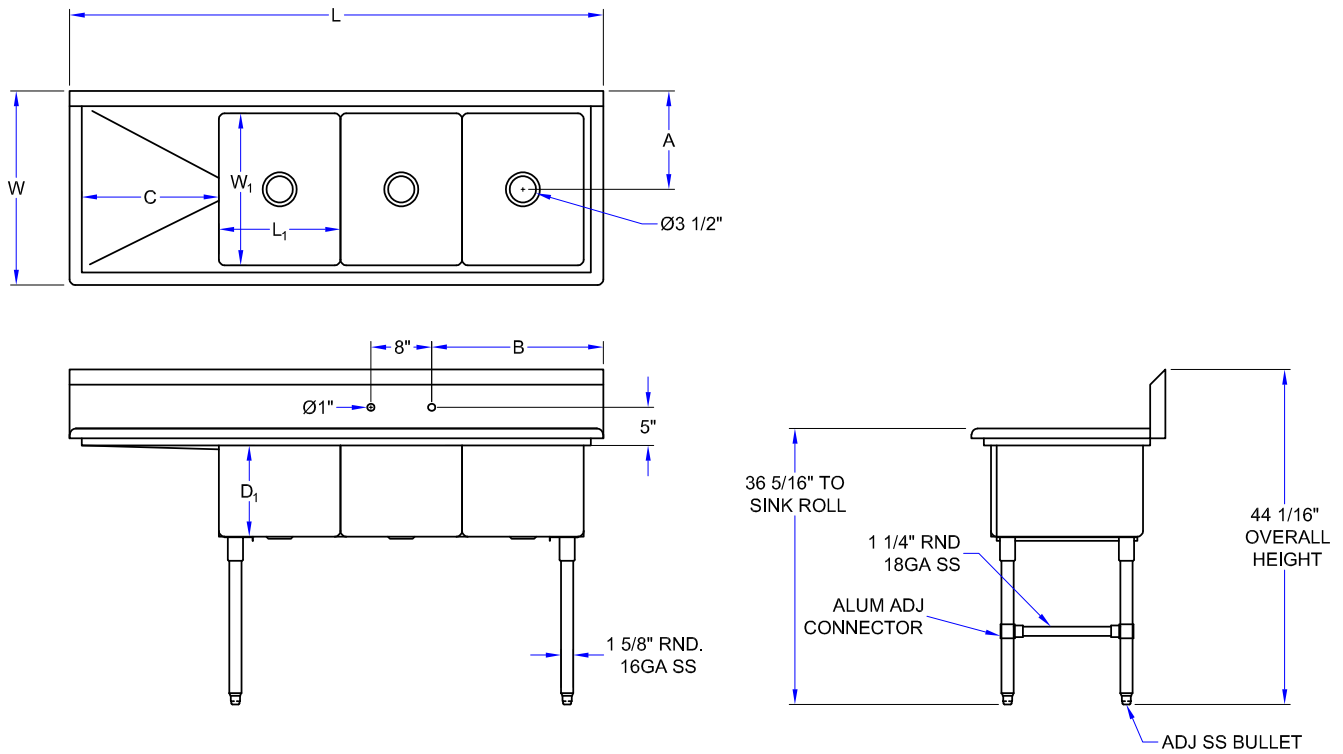
"3B-1D" B-SERIES SINKS

| 14" DEEP (D') | OVERALL LENGTH (L) | OVERALL WIDTH (W) | INSIDE LENGTH (L') | INSIDE WIDTH (W') | A | B | C | WT. (LBS) |
|-----------------|--------------------|-------------------|--------------------|-------------------|-----------|----------|-----|-----------|
| 3B16204-1D18L/R | 70-3/16" | 23-1/2" | 16" | 20" | 11-15/16" | 22-9/16" | 18" | 113 |
| 3B184-1D18L/R | 76-3/16" | 23-1/2" | 18" | 18" | 11-15/16" | 25-9/16" | 18" | 114 |
| 3B18244-1D18L/R | 76-3/16" | 29-1/2" | 18" | 24" | 14-15/16" | 25-9/16" | 18" | 131 |
| 3B244-1D24L/R * | 100-3/16" | 29-1/2" | 24" | 24" | 14-15/16" | 22-9/16" | 24" | 156 |

MUST SPECIFY LEFT (L) OR RIGHT (R) SIDE DRAIN BOARD, *HAS TWO SET OF FAUCET HOLES

ALL DIMENSIONS ARE TYPICAL. TOLERANCE +/- .500". JOHN BOOS & CO. RESERVES THE RIGHT TO CHANGE SPECIFICATIONS WITHOUT NOTICE.

DETAILED SPECIFICATIONS



"3B-1D" B-SERIES SINKS

| 14" DEEP (D') | OVERALL LENGTH (L) | OVERALL WIDTH (W) | INSIDE LENGTH (L') | INSIDE WIDTH (W') | A | B | C | WT. (LBS) |
|-----------------|--------------------|-------------------|--------------------|-------------------|-----------|----------|-----|-----------|
| 3B16204-1D18L/R | 70-3/16" | 23-1/2" | 16" | 20" | 11-15/16" | 22-9/16" | 18" | 113 |
| 3B184-1D18L/R | 76-3/16" | 23-1/2" | 18" | 18" | 11-15/16" | 25-9/16" | 18" | 114 |
| 3B18244-1D18L/R | 76-3/16" | 29-1/2" | 18" | 24" | 14-15/16" | 25-9/16" | 18" | 131 |
| 3B244-1D24L/R * | 100-3/16" | 29-1/2" | 24" | 24" | 14-15/16" | 22-9/16" | 24" | 156 |

MUST SPECIFY LEFT (L) OR RIGHT (R) SIDE DRAIN BOARD, *HAS TWO SET OF FAUCET HOLES

ALL DIMENSIONS ARE TYPICAL. TOLERANCE +/- .500". JOHN BOOS & CO. RESERVES THE RIGHT TO CHANGE SPECIFICATIONS WITHOUT NOTICE.