



**John
BOOS**
Since 1887

ITEM #: _____ QTY: _____

MODEL #: _____

PROJECT NAME: _____

051018

3601 S. Banker St. Effingham, IL 62401 • P.O. BOX 609 • Ph: (888) 431-2667 • Fax: (800) 433-2667

"CP" HARDWOOD CONVENIENCE BENCHES

FEATURES:

- CONVENIENCE BENCHES HAVE 2-1/4" X 1-1/4" MAPLE SLATS AND A STURDY BASE W/ BACK AND ARM REST ON EACH END, CPB W/OUT ARMS.
- MAPLE SLATS ARE FINISHED W/ A CLEAR TUFF-VAR FINISH FOR SPLINTER-FREE SITTING.
- BENCHES MEASURE 21"W X 33" H.
- STEEL BASE HAS BLACK ENAMEL FINISH W/ RUBBER FEET



CPB48-M



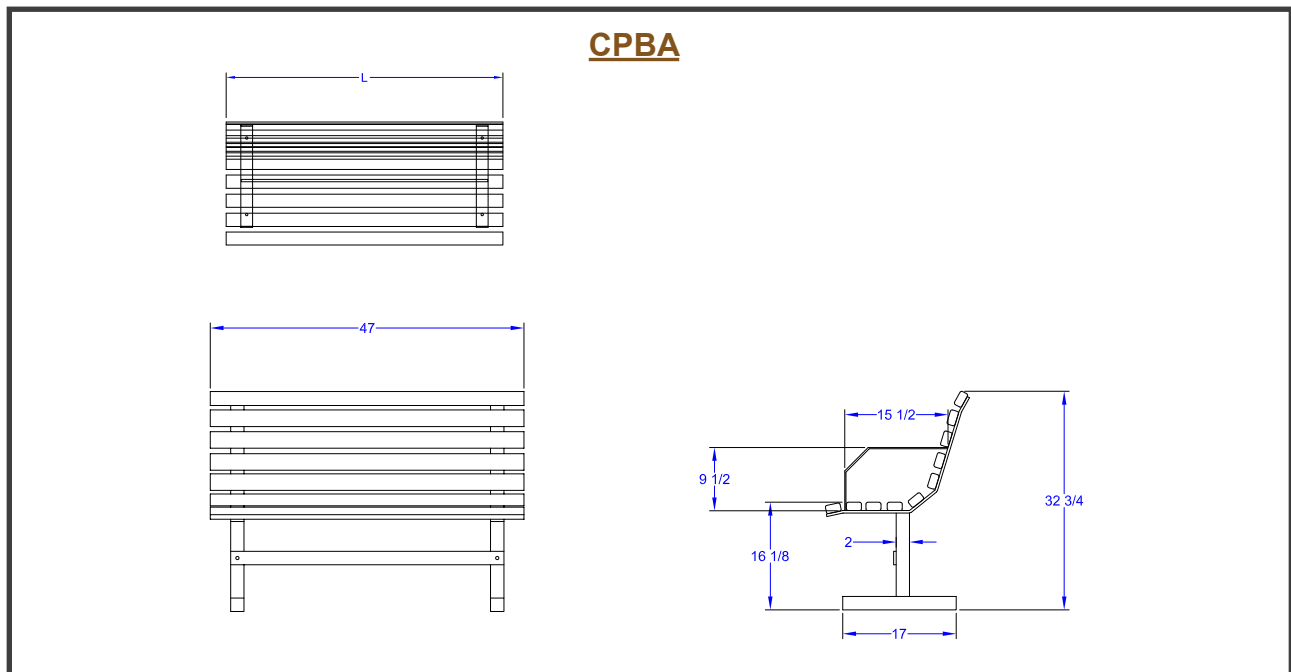
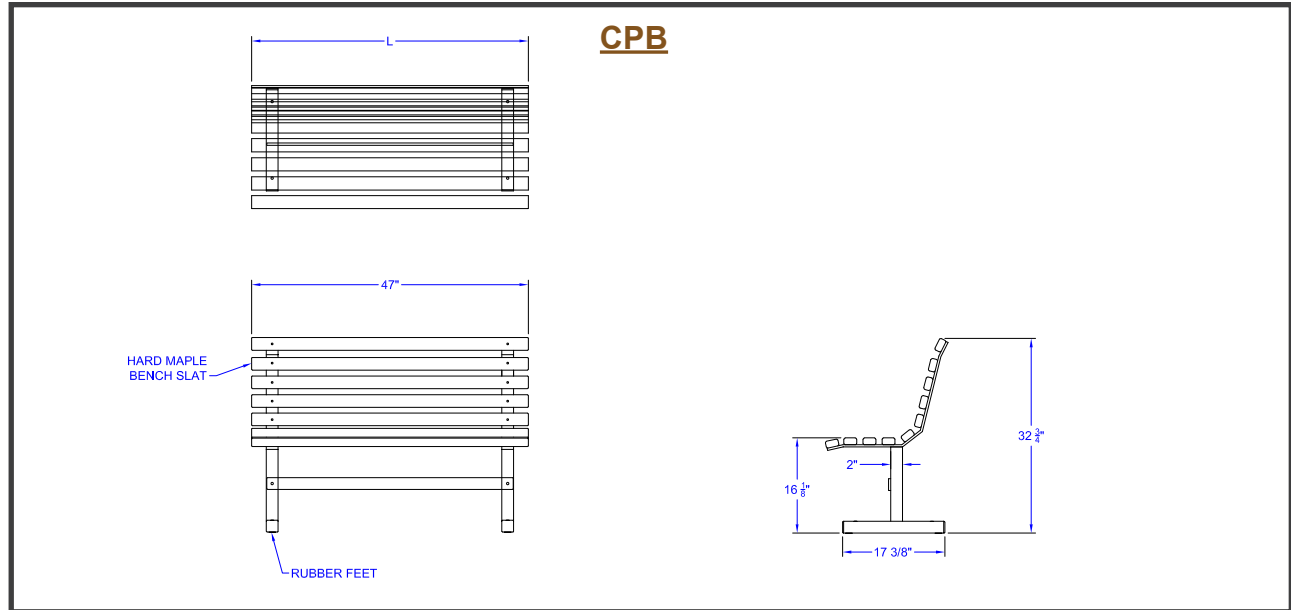
CPBA48-M

HARDWOOD CONVENIENCE BENCHES

SIZE	W/OUT ARMS	QTY	W/ ARMS	QTY
48"	CPB48-M		CPBA48-M	
60"	CPB60-M		CPBA60-M	
72"	CPB72-M		CPBA72-M	
96"	CPB96-M *		CPBA96-M *	

* benches w/ 3 legs

DETAILED SPECIFICATIONS



HARDWOOD CONVENIENCE BENCHES

SIZE	W/OUT ARMS	WEIGHT (LBS)	W/ ARMS	WEIGHT (LBS)
48"	CPB48-M	71	CPBA48-M	80
60"	CPB60-M	80	CPBA60-M	86
72"	CPB72-M	91	CPBA72-M	120
96"	CPB96-M *	140	CPBA96-M *	148

* benches w/ 3 legs

SOME UNITS SHIP UNASSEMBLED FOR REDUCED SHIPPING COST. ALL DIMENSIONS ARE TYPICAL. TOLERANCE +/- .500"
 John Boos & Co. is constantly engaged in a program of improving products and therefore reserves the right to change specifications without prior notice.



3601 S. Banker St. • Effingham, IL 62401 • PO BOX 609 • quotes@johnboos.com

www.johnboos.com