

ITEM #: _____ QTY: _____
 MODEL #: _____
 PROJECT NAME: _____

070717

3601 S. Banker St. Effingham, IL 62401 • P.O. BOX 609 • Ph: (888) 431-2667 • Fax: (800) 433-2667

"D" BUN PAN RACK & GLASS RACK DOLLY
ALL ALUMINUM WELDED CONSTRUCTION

BUN PAN RACK/TRUCK:

- WELDED ALUMINUM CONSTRUCTION
- 5" PLATE CASTERS
- CURVED PUSH HANDLE
- SHEET PANS NOT INCLUDED



D1927-SP-H

GLASS RACK DOLLY:

- WELDED ALUMINUM CONSTRUCTION
- 3" PLATE CASTERS
- GLASS RACKS NOT INCLUDED



D2020-GT

CONSTRUCTION:

- FULLY WELDED CONSTRUCTION

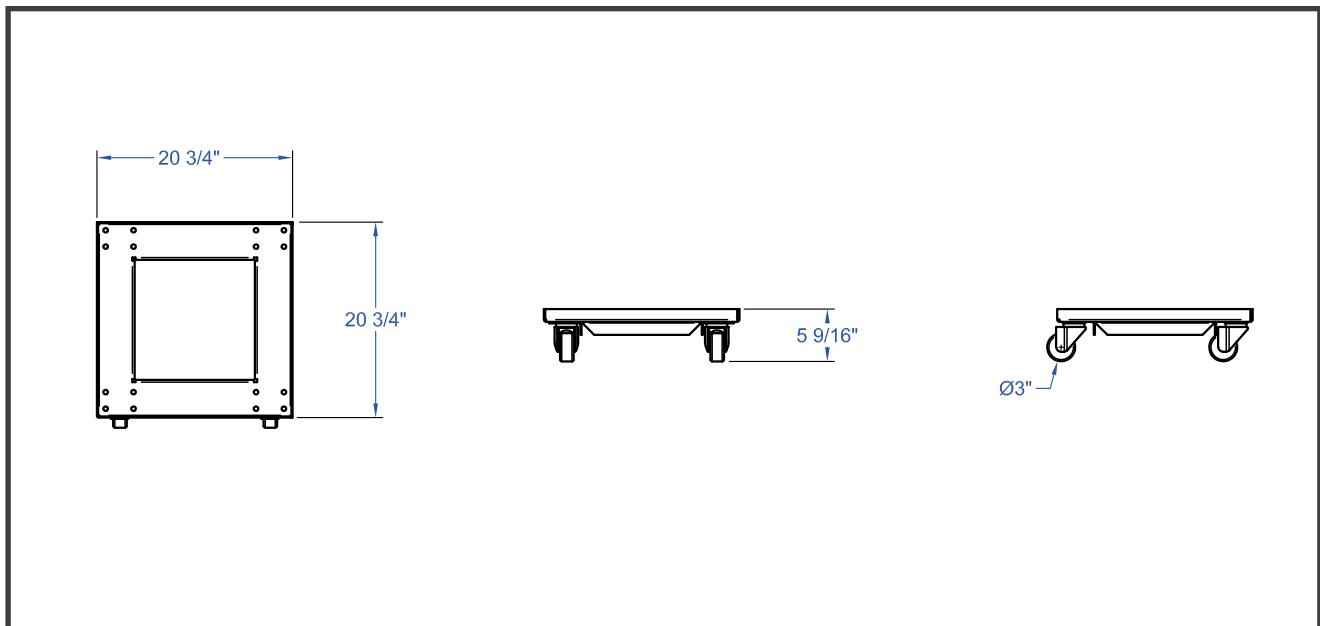
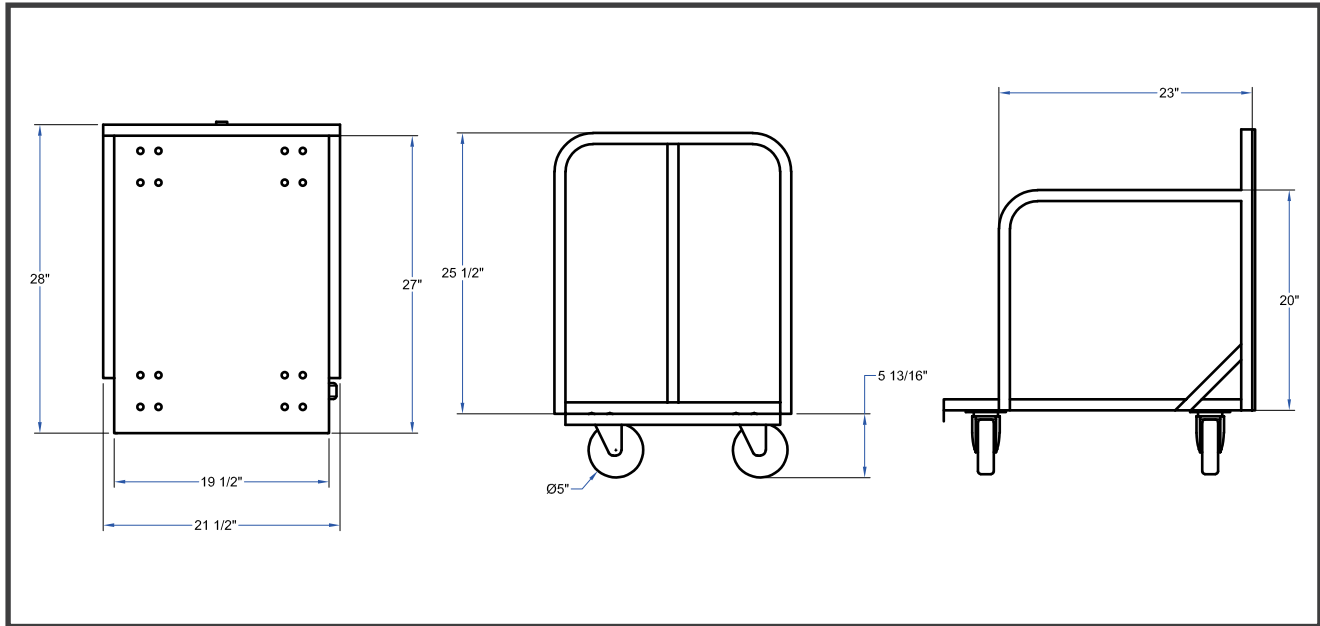
MATERIAL:

- HEAVY DUTY GAUGE ALUMINUM PLATE WITH EXTRUDED ALUMINUM TUBING FOR FRAME

BUN PAN RACK & GLASS RACK DOLLY

MODEL #	QTY
-SP-H	
D2020-GT	

DETAILED SPECIFICATIONS



BUN PAN RACK & GLASS RACK DOLLY

MODEL #	STACK	DESCRIPTION	FOR	SWIVEL PLATE CASTERS	WT. (LBS)
D1927-SP-H	SINGLE W/ SIDE & REAR SUPPORTS	OPEN FRAME DESIGN, W/ PUSH HANDLE, 1" SQUARE TUBING	18" X 26" OR 18" X 13" PANS	5"	15
D2020-GT	SINGLE	OPEN FRAME DESIGN	20" X 20" RACKS	3"	10

SOME UNITS SHIP UNASSEMBLED FOR REDUCED SHIPPING COST. ALL DIMENSIONS ARE TYPICAL. TOLERANCE +/- .500"
 John Boos & Co. is constantly engaged in a program of improving products and therefore reserves the right to change specifications without prior notice.



3601 S. Banker St. • Effingham, IL 62401 • PO BOX 609 • quotes@johnboos.com

www.johnboos.com

071017

797