



**John
BOOS**
Since 1887

ITEM #: _____ QTY: _____
 MODEL #: _____
 PROJECT NAME: _____

121917

3601 S. Banker St. Effingham, IL 62401 • P.O. BOX 609 • Ph: (888) 431-2667 • Fax: (800) 433-2667

"DNS" MAPLE TOP WORK TABLES



**1-3/4" THICK HARD ROCK MAPLE TOP W/ 4" RISER ON BACK AND SIDES.
 GALVANIZED BASE AND ADJUSTABLE UNDERSHELF**

FEATURES:

- 1-3/4" THICK HARD MAPLE TOP, STYLE "SB" WITH 4" COVED RISER ON BACK AND SIDES
- MAPLE TOP IS FINISHED WITH PENETRATING OIL WITH OPTIONAL NATURAL CLEAR VARNIQUE FINISH (VARNIQUE FINISH VOIDS NSF.)
- GALVANIZED STEEL BASE AND ADJUSTABLE UNDERSHELF
- ADJUSTABLE BULLET FEET
- SHIPPED KNOCKED-DOWN, EASY-TO-ASSEMBLE
- NSF CERTIFIED



MATERIAL:

- TOP: NORTHERN HARD ROCK MAPLE
- LEGS: 16 GAUGE GALVANIZED STEEL
- UNDERSHELF: 18 GAUGE GALVANIZED STEEL (6' TABLES COME WITH 16 GAUGE GALVANIZED STEEL.)
- GUSSETS: GALVANIZED STEEL
- FEET: 1" ADJUSTABLE GALVANIZED STEEL

OPTIONAL ACCESSORIES

DESCRIPTION	MODEL	QTY
DRAWER		
DRAWER LOCK		
CASTERS		
OVERSHELVES		
POT RACK		

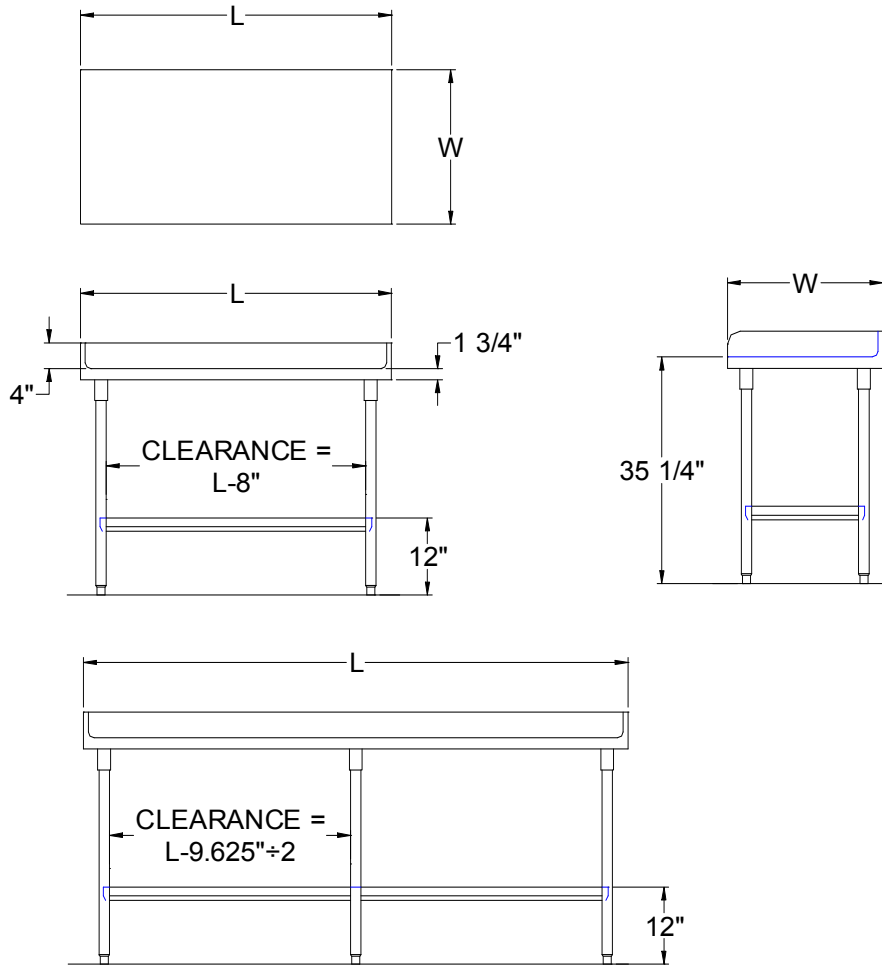


COVED RISER (FRONT VIEW)

MAPLE TOP WORK TABLES

24" WIDE	QTY	30" WIDE	QTY	36" WIDE	QTY
DNS01		DNS07		DNS13	
DNS02		DNS08		DNS14	
DNS03		DNS09		DNS15	
DNS04		DNS10		DNS16	
DNS05		DNS11		DNS17	
DNS05A		DNS11A		DNS17A	
DNS06		DNS12		DNS18	

DETAILED SPECIFICATIONS



- UNITS 7 FT. AND LARGER ARE FURNISHED WITH SIX LEGS.
- FINISHED SIZE OF UNDERSHELF.
SHELF LENGTH = LENGTH MINUS 4.875"
SHELF WIDTH = WIDTH MINUS 4.25"

MAPLE TOP WORK TABLES

LENGTH	24" WIDE	WT. (LBS)	30" WIDE	WT. (LBS)	36" WIDE	WT. (LBS)
48"	DNS01	120	DNS07	144	DNS13	163
60"	DNS02	144	DNS08	172	DNS14	194
72"	DNS03	174	DNS09	203	DNS15	229
84"	DNS04	195	DNS10	239	DNS16	269
96"	DNS05	218	DNS11	264	DNS17	298
108"	DNS05A	237	DNS11A	285	DNS17A	322
120"	DNS06	260	DNS12	312	DNS18	354

SOME UNITS SHIP UNASSEMBLED FOR REDUCED SHIPPING COST. ALL DIMENSIONS ARE TYPICAL. TOLERANCE +/- .500"
John Boos & Co. is constantly engaged in a program of improving products and therefore reserves the right to change specifications without prior notice.

