



**John
BOOS**
Since 1887

ITEM #: _____ QTY: _____
MODEL #: _____
PROJECT NAME: _____

071619

3601 S. Banker St. Effingham, IL 62401 • P.O. BOX 609 • Ph: (888) 431-2667 • Fax: (800) 433-2667

"DT3B" CLEAN DISHTABLE/POT SINKS



FEATURES:

- 16GA STAINLESS STEEL
- TYPE 300 STAINLESS STEEL WITH #4 POLISH, SATIN FINISH
- 14" DEEP BOWLS
- ALL CORNERS, BOTH VERTICAL AND HORIZONTAL, COVERED AT 3/4" RADIUS
- BOTTOMS OF BOWLS FORMED FOR DRAINAGE TO 3-1/2" DIAMETER DIE STAMPED OPENING
- FULL LENGTH **10" HIGH BOXED BACKSPLASH**, WITH 2" RETURN TO WALL AT 45 DEGREE AND 1" TURNED DOWN REAR LIP
- 8" ON-CENTER WITH 1" FAUCET HOLES IN BACKSPLASH
- ALL OUTSIDE CORNERS OF ASSEMBLY ARE BULLNOSED TO PROVIDE SAFE, CLEAN, AND POLISHED EDGE
- STANDARD STAINLESS STEEL LEGS 1-5/8" DIAMETER
- LEGS LOCATED DIRECTLY UNDER SINK BOWLS, PROVIDING INCREASED STABILITY AND MAX WEIGHT SUPPORT

CONSTRUCTION:

- TOP: STAINLESS STEEL SINKS ARE TIG WELDED, EXPOSED WELDS ARE POLISHED TO MATCH ADJACENT SURFACE
- BASE: STAINLESS STEEL BASES ARE MIG WELDED

MATERIAL:

- BOWLS & TOP: 16GA TYPE 300 STAINLESS STEEL WITH #4 POLISH, SATIN FINISH
- LEGS: 1-5/8" ROUND O.D. STAINLESS STEEL
- BRACING: 1-1/4" ROUND O.D. STAINLESS STEEL
- GUSSETS: STAINLESS STEEL
- FEET: 1" ADJUSTABLE STAINLESS STEEL BULLET FEET



DT3B18244-2D18L

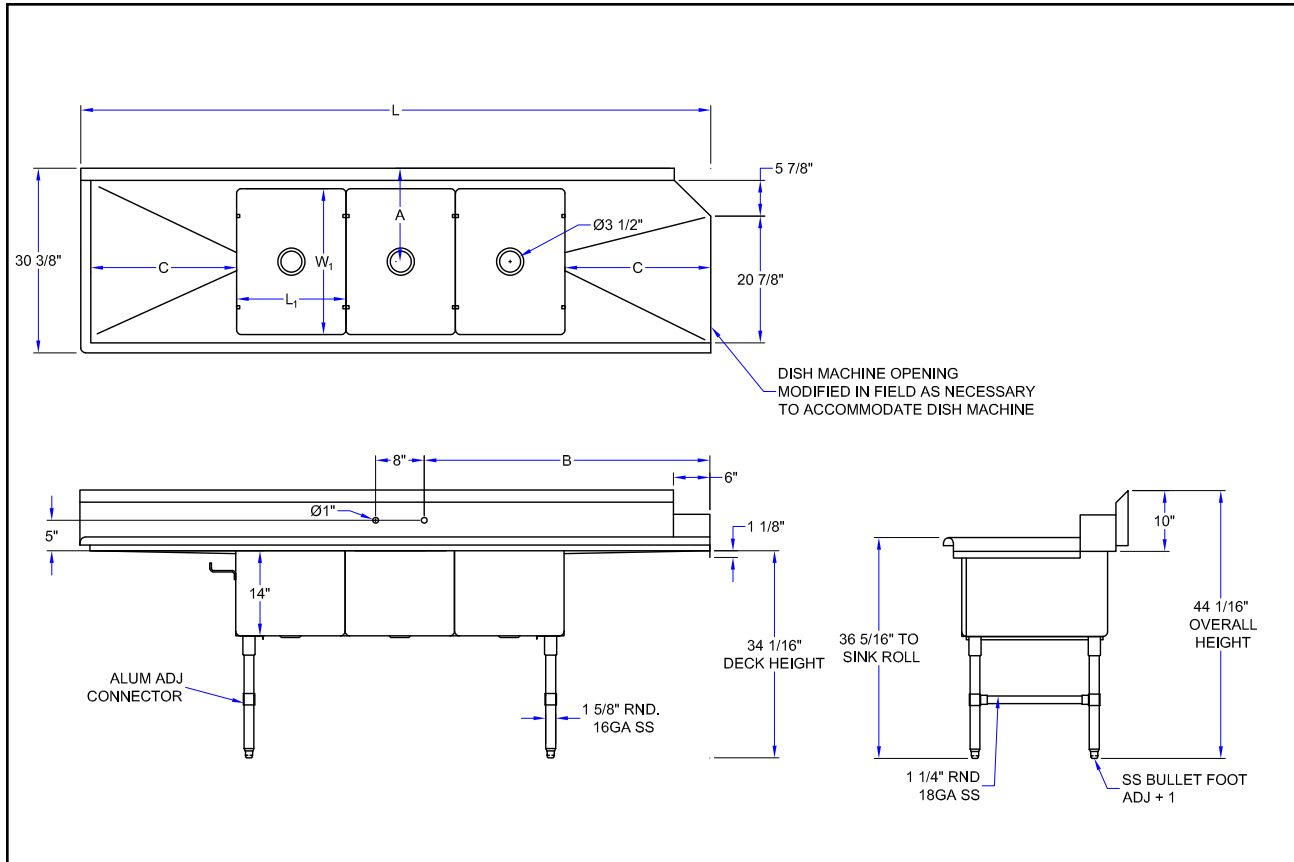
STANDARD 16GA "DT3B" SINK

MODEL	BOWL SIZE (LxWxD)	QTY
DT3B18244-2D18L	18" X 24" X 14"	
DT3B18244-2D18R	18" X 24" X 14"	
DT3B18244-2D24L	18" X 24" X 14"	
DT3B18244-2D24R	18" X 24" X 14"	
DT3B244-2D24L	24" X 24" X 14"	
DT3B244-2D24R	24" X 24" X 14"	

OPTIONAL ACCESSORIES

DESCRIPTION	QTY
FAUCETS	
ADD-A-FAUCETS	
PRE-RINSE UNITS	
LEVEL WASTE	
OVERSHELVES	
POT RACK	

DETAILED SPECIFICATIONS



STANDARD 16GA "DT3B" "B" SINK

MODEL	L	L1	W1	A	B	C
DT3B18244-2D18L	91-5/8"	18"	24"	15-3/8"	41"	18"
DT3B18244-2D18R	91-5/8"	18"	24"	15-3/8"	41"	18"
DT3B18244-2D24L	103-5/8"	18"	24"	15-3/8"	47"	24"
DT3B18244-2D24R	103-5/8"	18"	24"	15-3/8"	47"	24"
DT3B244-2D24L	121-5/8"	24"	24"	15-3/8"	56"	24"
DT3B244-2D24R	121-5/8"	24"	24"	15-3/8"	56"	24"

SOME UNITS SHIP UNASSEMBLED FOR REDUCED SHIPPING COST. ALL DIMENSIONS ARE TYPICAL. TOLERANCE +/- .500"

John Boos & Co. is constantly engaged in a program of improving products and therefore reserves the right to change specifications without prior notice.



3601 S. Banker St. • Effingham, IL 62401 • PO BOX 609 • quotes@johnboos.com

www.johnboos.com

073118

331