

ITEM #: \_\_\_\_\_ QTY: \_\_\_\_\_  
 MODEL #: \_\_\_\_\_  
 PROJECT NAME: \_\_\_\_\_

070119

3601 S. Banker St. Effingham, IL 62401 • P.O. BOX 609 • Ph: (888) 431-2667 • Fax: (800) 433-2667

**"EES8" EQUIPMENT STAND**  
**GALVANIZED BASED**



**FEATURES:**

- 18GA TYPE 430 STAINLESS STEEL TOP WITH #4 POLISH, SATIN FINISH
- 1-1/2" STALLION EDGE ON FRONT. TURNED UP BACK AND BOTH SIDES
- TOP FRAME IS REINFORCED BY A FULL FRAME FABRICATED OF 1-1/2" SQUARE O.D. TUBE 16GA GALVANIZED STEEL
- GALVANIZED STEEL BASE
- SHIPPED KNOCKED-DOWN, EASY - TO - ASSEMBLE

**MATERIAL:**

- TOP: 18GA STAINLESS STEEL TYPE 430 STAINLESS STEEL WITH #4 POLISH, SATIN FINISH
- SHELF: 18GA GALVANIZED STEEL
- LEGS: 1-5/8" ROUND O.D. 16 GA TUBULAR GALVANIZED STEEL
- GUSSETS: GALVANIZED STEEL
- FEET: 1" ADJUSTABLE PLASTIC BULLET FEET

**CONSTRUCTION:**

- TOP: STAINLESS STEEL TOPS ARE TIG WELDED, EXPOSED WELDS ARE POLISHED TO MATCH ADJACENT SURFACE

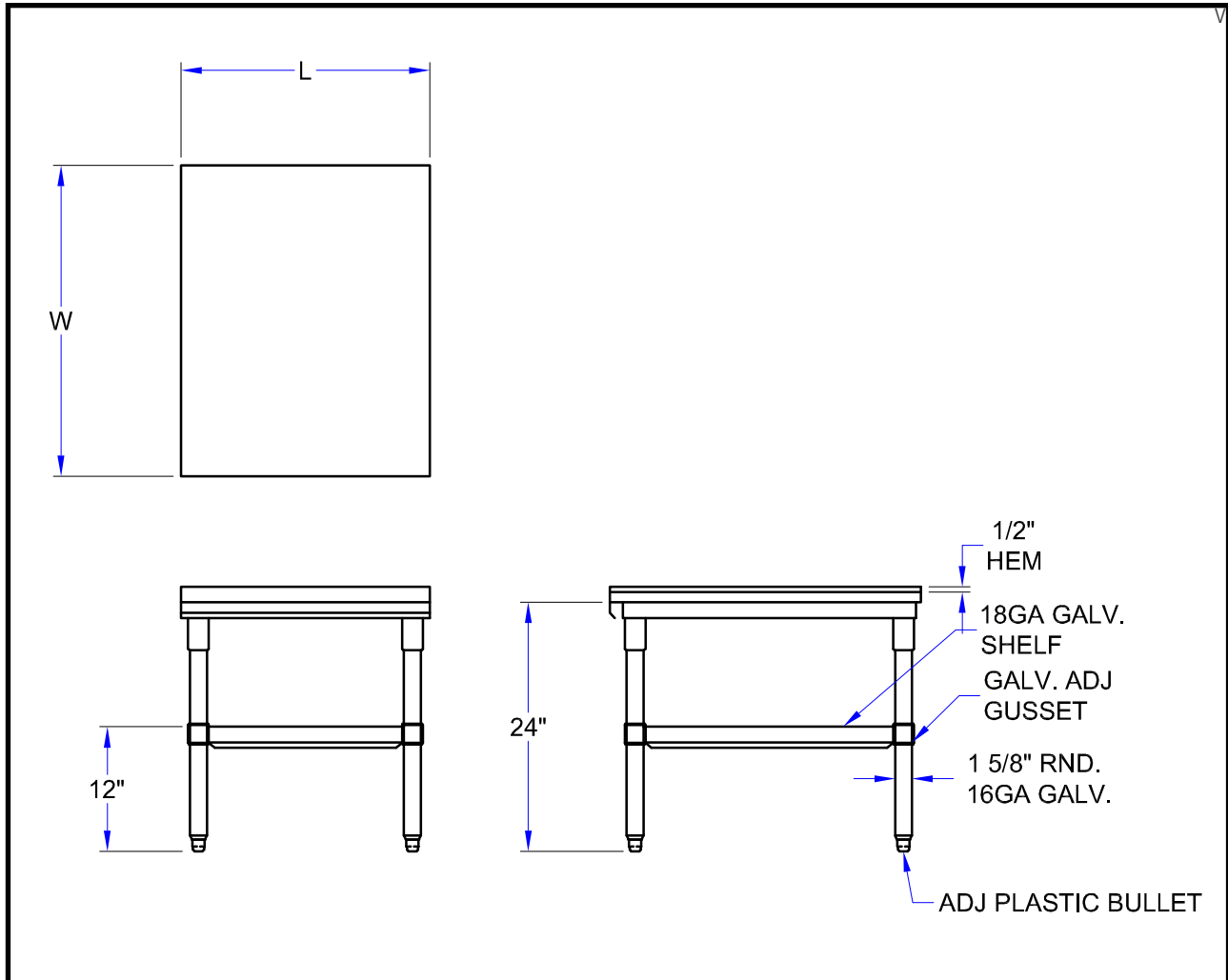


EES8-3048

**ECONOMY EQUIPMENT STANDS WITH GALVANIZED LOWER SHELF**

MODEL #	QTY
EES8-3015	
EES8-3018	
EES8-3024	
EES8-3036	
EES8-3048	
EES8-3060	
EES8-3072	

## DETAILED SPECIFICATIONS



### ECONOMY EQUIPMENT STANDS WITH GALVANIZED BASE

MODEL #	LENGTH	WIDTH	HEIGHT	WT. (LBS)
EES8-3015	15"	30"	24"	25
EES8-3018	18"	30"	24"	29
EES8-3024	24"	30"	24"	38
EES8-3036	36"	30"	24"	56
EES8-3048	48"	30"	24"	69
EES8-3060	60"	30"	24"	82
EES8-3072	72"	30"	24"	94

WEIGHTS ARE SUBJECT TO ADDITIONAL PACKAGING

SOME UNITS SHIP UNASSEMBLED FOR REDUCED SHIPPING COST. ALL DIMENSIONS ARE TYPICAL. TOLERANCE +/- .500"

John Boos & Co. is constantly engaged in a program of improving products and therefore reserves the right to change specifications without prior notice.



3601 S. Banker St. • Effingham, IL 62401 • PO BOX 609 • quotes@johnboos.com

070119

*Boos*  
locks

AQ AutoQuotes

[www.johnboos.com](http://www.johnboos.com)

107