

ITEM #: _____ QTY: _____
 MODEL #: _____
 PROJECT NAME: _____

062217

3601 S. Banker St. Effingham, IL 62401 • P.O. BOX 609 • Ph: (888) 431-2667 • Fax: (800) 433-2667

"EES8" EQUIPMENT STAND
GALVANIZED BASED



FEATURES:

- 18 GAUGE STAINLESS STEEL
- TYPE 430 STAINLESS STEEL WITH #4 POLISH, SATIN FINISH

CONSTRUCTION:

- TOP: STAINLESS STEEL TOPS ARE TIG WELDED, EXPOSED WELDS ARE POLISHED TO MATCH
- BASE: MIG WELDED GALVANIZED FRAME

MATERIAL:

- TOP: 18 GAUGE TYPE 430 STAINLESS STEEL
- SHELF: GALVANIZED
- LEGS: GALVANIZED
- GUSSETS: GALVANIZED
- FEET: PLASTIC ADJUSTABLE

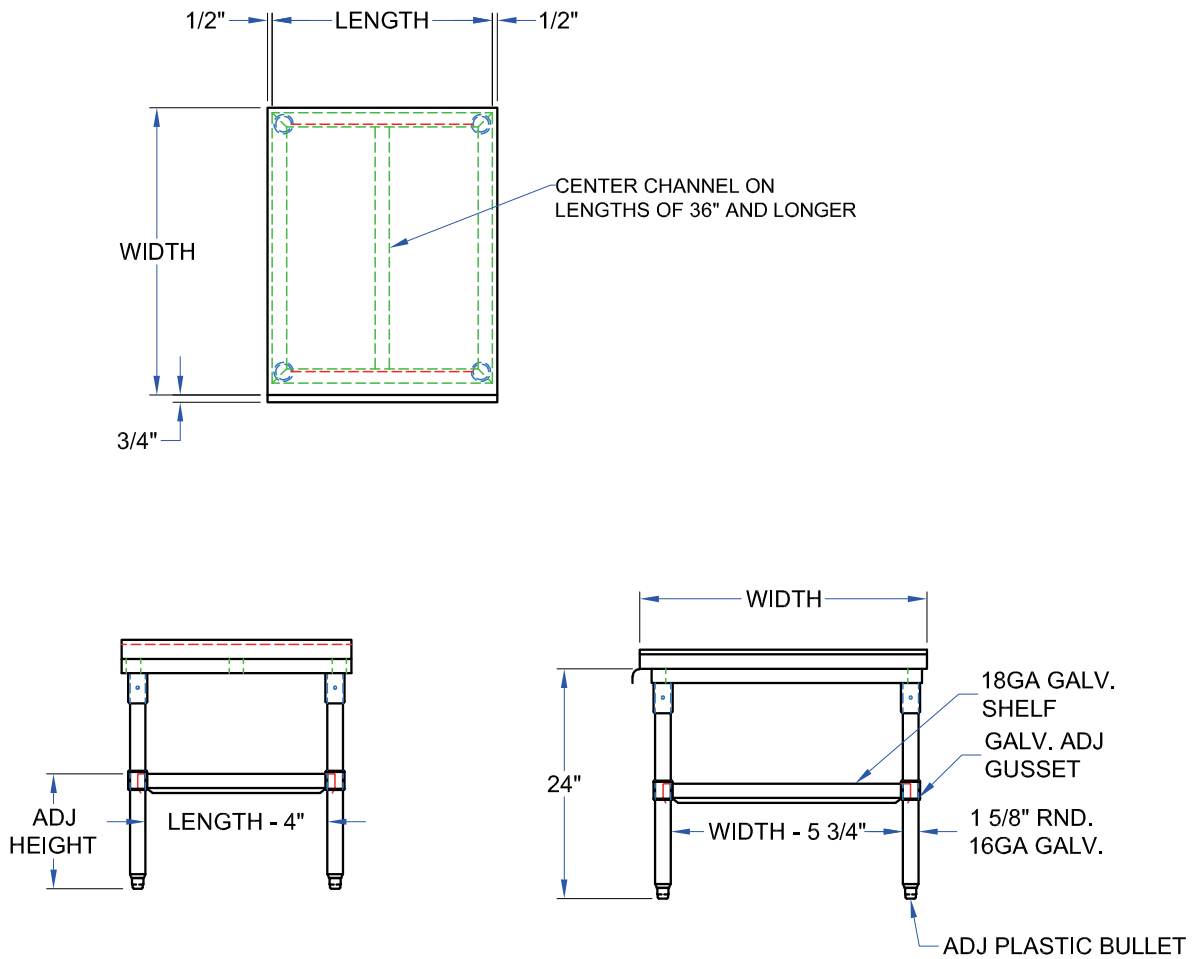


EES8-3048

ECONOMY EQUIPMENT STANDS WITH GALVANIZED LOWER SHELF

MODEL #	QTY
EES8-3015	
EES8-3018	
EES8-3024	
EES8-3036	
EES8-3048	
EES8-3060	
EES8-3072	

DETAILED SPECIFICATIONS



ECONOMY EQUIPMENT STANDS WITH GALVANIZED BASE

MODEL #	LENGTH	WIDTH	HEIGHT	WT. (LBS)
EES8-3015	15"	30"	24"	25
EES8-3018	18"	30"	24"	29
EES8-3024	24"	30"	24"	38
EES8-3036	36"	30"	24"	56
EES8-3048	48"	30"	24"	69
EES8-3060	60"	30"	24"	82
EES8-3072	72"	30"	24"	94

WEIGHTS ARE SUBJECT TO ADDITIONAL PACKAGING

SOME UNITS SHIP UNASSEMBLED FOR REDUCED SHIPPING COST. ALL DIMENSIONS ARE TYPICAL. TOLERANCE +/- .500"
 John Boos & Co. is constantly engaged in a program of improving products and therefore reserves the right to change specifications without prior notice.



3601 S. Banker St. • Effingham, IL 62401 • PO BOX 609 • quotes@johnboos.com

www.johnboos.com