

STANDARD SERIES UNDERBAR GLASS STORAGE BINS

MODEL: _____ PROJECT: _____ ITEM #: _____ QTY: _____

PRODUCT IMAGES



18-GSB1 SHOWN



18-GSB3 SHOWN

AVAILABLE IN 1800 or 2100 SERIES

STANDARD FEATURES

- **Drainboard**
20 gauge embossed stainless steel reinforced with welded braces every 6 inches. $\frac{3}{4}$ " radius on all vertical and horizontal edges
- **Front Apron**
20 gauge stainless steel clad over 20 gauge galvanized steel
- **Backsplash**
22 gauge stainless steel
- **Sides**
20 gauge stainless steel
- **Middle Shelf**
20 gauge stainless steel
- **Back**
20 gauge galvanized steel
- **Bottom**
20 gauge stainless steel
- **Legs**
1 $\frac{5}{8}$ " tubular 16 gauge galvanized steel with grey plastic bullet foot
- **Plumbing**
1" IPS drain connection

OPTIONAL ACCESSORIES

- **C-36** Upgrade: Stainless Steel Legs
- **C-39** Right End Side Splash
- **C-40** Left End Side Splash



CERTIFICATIONS:

APPROVED BY:

Due to our commitment to continued product improvement, specifications are subject to change without notice.

Printed in the USA

Krowne Metal Corporation

100 Haul Rd. Wayne, NJ 07470 • Toll Free: (800) 631-0442 • Fax: (973) 872-1129
sales@krowne.com • www.krowne.com • www.facebook.com/KrowneMetal • www.twitter.com/KrowneMetal

KaTom Restaurant Supply, Inc.

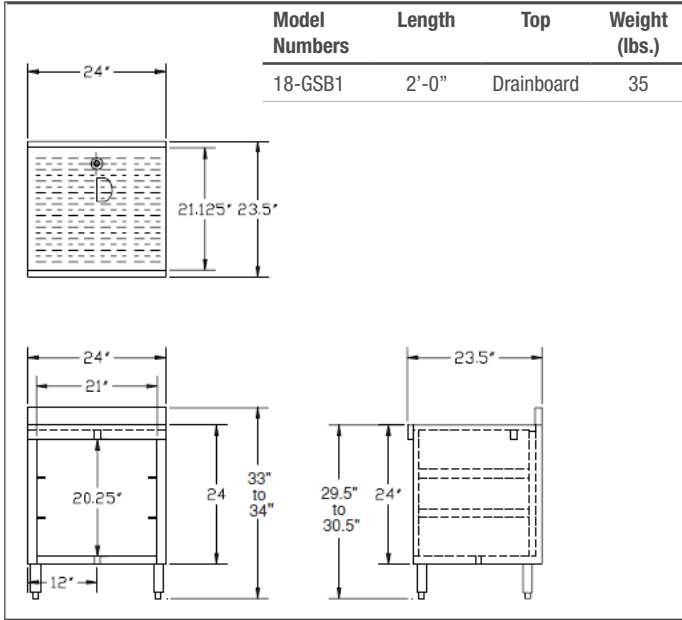
Rev. 09/2011
No. 4.6



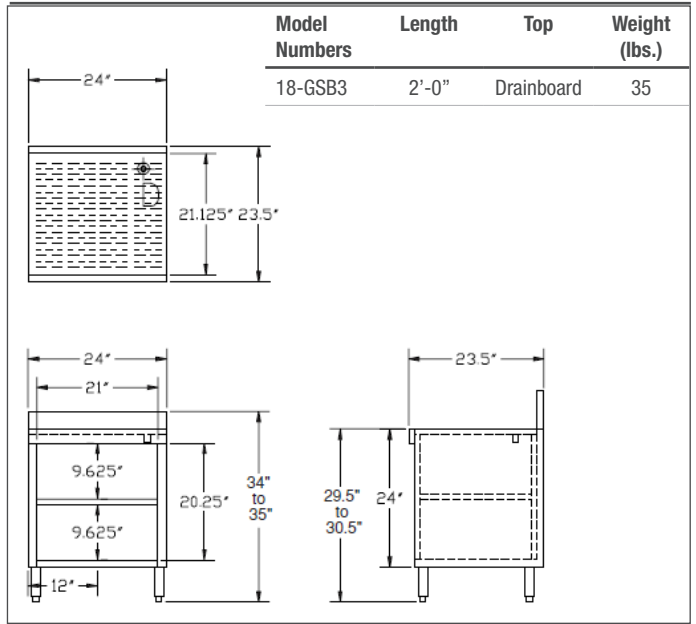
STANDARD SERIES UNDERBAR GLASS STORAGE BINS

MODEL: _____ PROJECT: _____ ITEM #: _____ QTY: _____

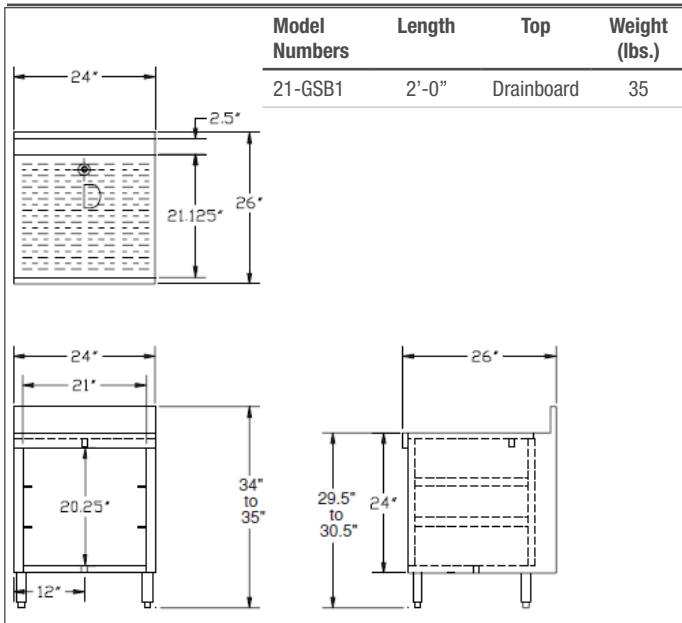
1800 SERIES: RACK SLIDES



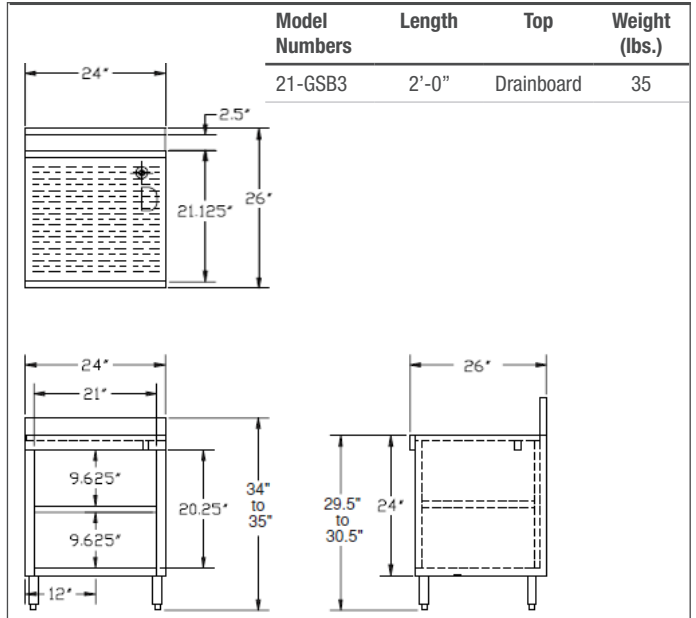
1800 SERIES: SOLID SHELF



2100 SERIES: RACK SLIDES



2100 SERIES: SOLID SHELF



APPROVED BY: _____

CERTIFICATIONS:

Due to our commitment to continued product improvement, specifications are subject to change without notice.

Printed in the USA

Krowne Metal Corporation

100 Haul Rd. Wayne, NJ 07470 • Toll Free: (800) 631-0442 • Fax: (973) 872-1129

sales@krowne.com • www.krowne.com • www.facebook.com/KrowneMetal • www.twitter.com/KrowneMetal

KaTom Restaurant Supply, Inc.

Rev. 09/2011

No. 4.6