



Your Solutions Partner

# Specifications

F.O.B. Sedalia, Missouri 65301



ACU - 32  
w/optional casters



ATU - 90  
w/optional casters

### OPTIONS:

- Tray slides
- Special corner angles
- Veneered plastic laminate panels on body
- Special Powder coat painted body
- 5" swivel casters, 2 w/locks
- Kick plates
- Body latches
- Cutouts

**Approval Stamp(s):**

### PRODUCT INFORMATION:

PROJECT: \_\_\_\_\_

ITEM: \_\_\_\_\_

QUANTITY: \_\_\_\_\_

MODEL:

### AeroServ Serving Systems Corner & Triangle Units

- ACU-32      Square unit
- ATU-90      Triangle unit - 90°
- ATU-45      Triangle unit - 45°

### TOP:

- 20 gauge, 300 Series stainless steel
- Sound - deadening

### Body:

- Paint grip or stainless steel
- Choice of (12) powder coat paint colors
- Welded together with local reinforcements
- Triangles must permanently attach to adjacent unit
- Mounted on 6" stainless steel legs with adjustable feet

### AGENCY LISTING:



DUKE MANUFACTURING CO.

2305 N. Broadway

St. Louis, MO 63102

800.735.3853 Toll Free

314.231.5074 Fax

www.dukemfg.com

Specification subject to change



# AeroServ

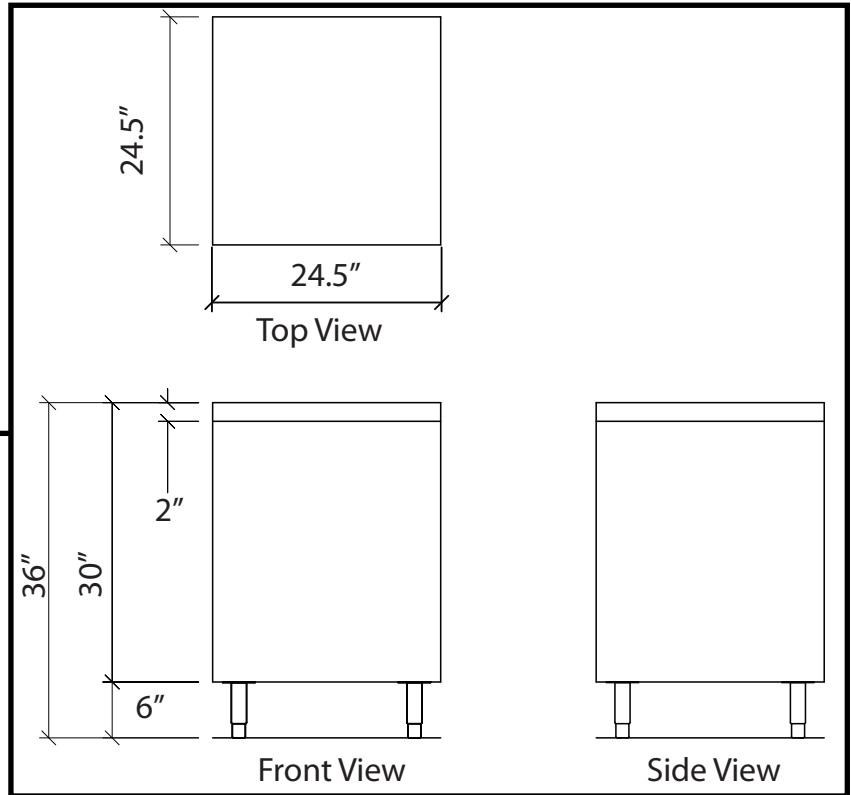
## CORNER AND TRIANGLE UNITS

A.I.A. File No. 35-C-13

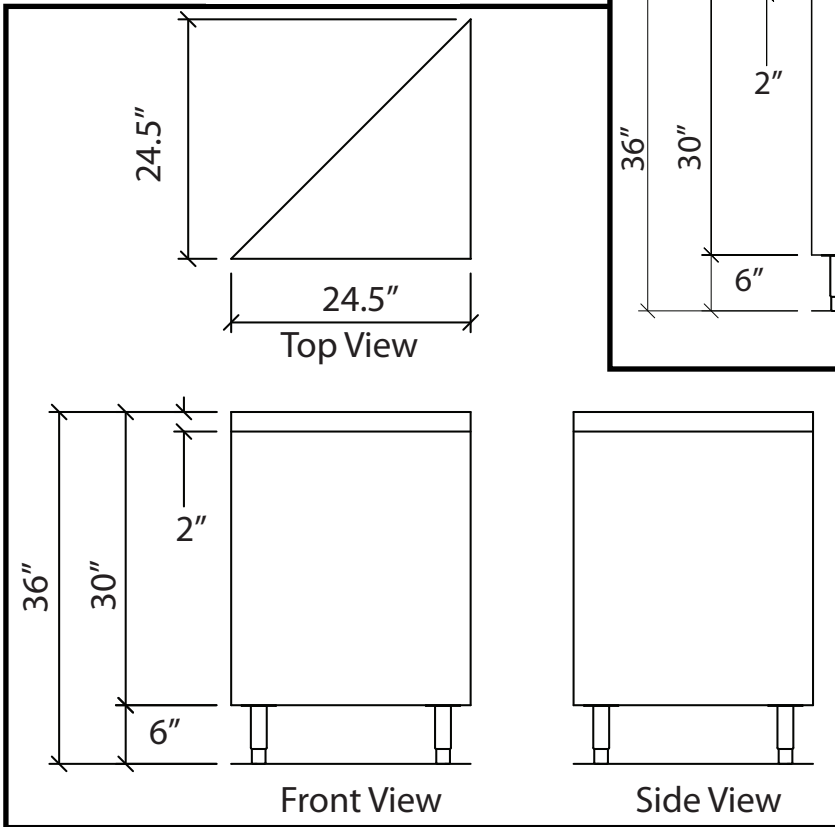
Catalog No. CORNER

AEROSERV - SERVING SYSTEMS - CORNER & TRIANGLE UNITS

ACU-32



ATU-90



**Dimensions:**

**Freight Class: 150**

Model	Length		Width		Height		Cube ft. crated	Weight	
	in	cm	in	cm	in	cm		lbs	kg
ACU-32	24-1/2	62.2	24-1/2	62.2	36	91.4	33.9	175	79.6
ATU-90	24-1/2	62.2	24-1/2	62.2	36	91.4	33.9	175	79.6
ATU-45	24-1/2	62.2	24-1/2	62.2	36	91.4	33.9	175	79.6



**Duke Manufacturing Co.**  
2305 N. Broadway  
St. Louis, MO 63102

Phone: 314-231-1130  
Toll Free: 1-800-735-3853  
Fax: 314-231-5074

[www.dukemfg.com](http://www.dukemfg.com)