



Your Solutions Partner

# Specifications

F.O.B. Sedalia, Missouri 65301



309-25

### OPTIONS:

- Sliding doors
- Door locks
- Designer Foodshields
- Trayslides
- Stainless steel carving boards
- Kick plates
- 5" casters, 2 swivel w/locks
- Cutouts in top
- Stainless steel dish shelf
- Drop brackets on tray slide
- Wood carving boards
- Veneered plastic laminate panels on body
- Special powder coat painted body
- Odd lengths - specify
- Duplex outlets 6 ft. cord and plug
- Body latches
- Open base - omit undershelves
- Heat-in-Base Module
- Tier of stainless steel angle sides

DUKE MANUFACTURING CO.

2305 N. Broadway  
 St. Louis, MO 63102  
 800.735.3853 Toll Free  
 314.231.5074 Fax  
 www.dukemfg.com

SS-1121 AeroServ Solid Top

### Approval Stamp(s):

### PRODUCT INFORMATION:

PROJECT: \_\_\_\_\_

ITEM: \_\_\_\_\_

QUANTITY: \_\_\_\_\_

### MODEL:

### AeroServ Serving Systems Solid Top Units

- 318-25      18" length
- 308-25      32" length
- 309-25      46" length
- 310-25      60" length
- 311-25      74" length

### TOP:

- 20 gauge, 300 Series stainless steel
- Sound deadening vinyl foam tape

### Body:

- Paint grip or stainless steel
- Choice of (12) powder coat paint colors
- Flanged or channeled edges
- Welded together with local reinforcements
- Mounted on 6" stainless steel legs with adjustable feet

### AGENCY LISTINGS:



Specification subject to change



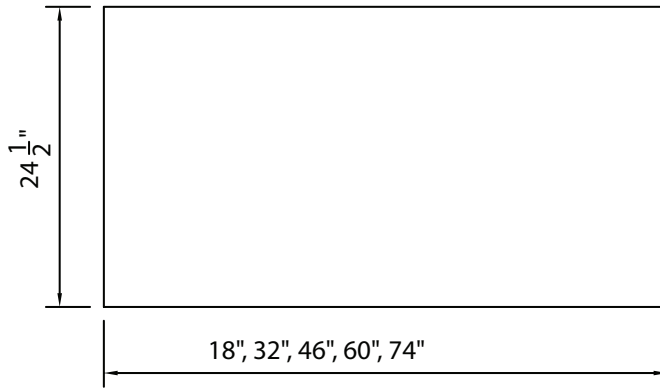
REV B 10/18/2019

# AeroServ

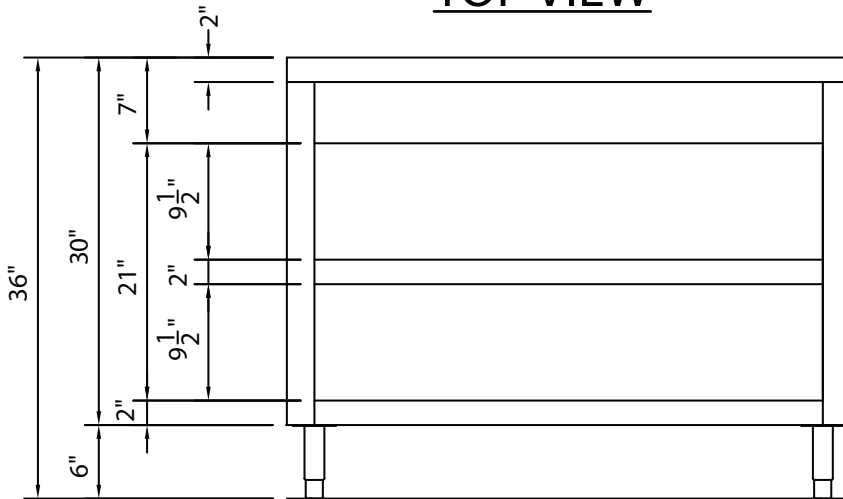
## Solid Top

A.I.A. File No. 35-C-13

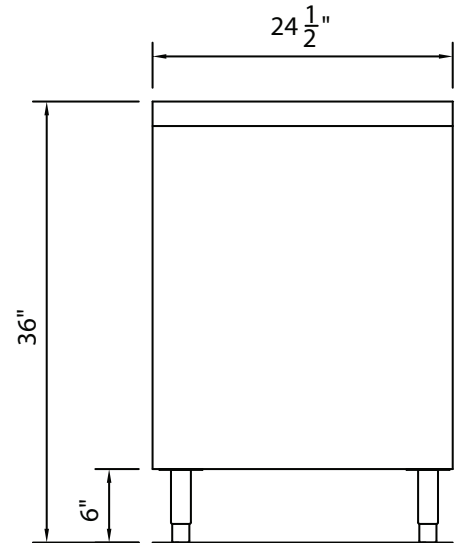
Catalog No. SOLID



TOP VIEW



FRONT VIEW



RIGHT SIDE VIEW

**DIMENSIONS:**

**Freight Class: 150**

Model	Length		Width		Height		Cube ft. crated	Weight	
	in	cm	in	cm	in	cm		lbs	kg
318-25	18	45.7	24-1/2	62.2	36	91.4	17.4	200	90.9
308-25	32	81.3	24-1/2	62.2	36	91.4	28.6	217	98.6
309-25	46	116.8	24-1/2	62.2	36	91.4	39.1	274	124.6
310-25	60	152.4	24-1/2	62.2	36	91.4	49.6	331	150.5
311-25	74	188.0	24-1/2	62.2	36	91.4	60.1	386	175.5

AEROSERV - SERVING SYSTEMS - SOLID TOP UNITS



**Duke Manufacturing Co.**  
2305 N. Broadway  
St. Louis, MO 63102

Phone: 314-231-1130  
Toll Free: 1-800-735-3853  
Fax: 314-231-5074

[www.dukemfg.com](http://www.dukemfg.com)