



*The Signature of Quality*

### FEDERAL INDUSTRIES

A Standex Company  
215 Federal Avenue  
Belleville, WI 53508-9201

Phone: 800-356-4206  
Fax: 608-424-3234  
Email: [geninfo@federalind.com](mailto:geninfo@federalind.com)  
Website: [www.federalind.com](http://www.federalind.com)

Project Name: \_\_\_\_\_

Item #: \_\_\_\_\_

Model #: \_\_\_\_\_ Qty: \_\_\_\_\_

Approval: \_\_\_\_\_

AIA#

SIS#

## HIGH VOLUME NON-REFRIGERATED BAKERY CASE

Display more product and serve more customers with presentation and value in mind. Designed for continuous case line-ups without middle end glass.



MODEL	DIMENSIONS ( Includes End Panels )
<input type="checkbox"/> SGD3642	36.13 x 35.31 x 42 (in) 918 x 897 x 1067 (mm)
<input type="checkbox"/> SGD5042	50.13 x 35.31 x 42 (in) 1273 x 897 x 1067 (mm)
<input type="checkbox"/> SGD5942	59.13 x 35.31 x 42 (in) 1502 x 897 x 1067 (mm)
<input type="checkbox"/> SGD7742	77.13 x 35.31 x 42 (in) 1959 x 897 x 1067 (mm)
<input type="checkbox"/> SGD3148	31.13 x 35.31 x 48 (in) 791 x 897 x 1219 (mm)
<input type="checkbox"/> SGD3648	36.13 x 35.31 x 48 (in) 918 x 897 x 1219 (mm)
<input type="checkbox"/> SGD5048	50.13 x 35.31 x 48 (in) 1273 x 897 x 1219 (mm)
<input type="checkbox"/> SGD5948	59.13 x 35.31 x 48 (in) 1502 x 897 x 1219 (mm)
<input type="checkbox"/> SGD7748	77.13 x 35.31 x 48 (in) 1959 x 897 x 1219 (mm)

### STANDARD FEATURES

#### Model Features

- Tempered tilt-out front glass for easy cleaning. Front glass is sloped for high visual product display.
- Tempered glass top, ends, and doors.
- Removable sliding rear doors, shelf lights, shelf supports, and shelves.
- 31" and 36" have two swing doors.
- Steel base construction with a choice of six standard laminates on base. Other finishes optional.
- Scratch-resistant, corrosion-proof white vented display deck.
- Designed for continuous line-ups.
- Black trim.
- Adjustable Leg Levelers

#### Shelving

- Adjustable white wire shelves. Shelves are adjustable up and down and can also be tilted in three positions. 48" models have three tiers of shelves; 42" models have two tiers of shelves.

#### Lighting

- LED top light and shelf lights.

#### Agency Approvals

- UL Safety and UL Sanitation listed
- DOE 2017 Compliant.

### OPTIONAL ACCESSORIES

- |  |  |
|--|--|
| <input type="checkbox"/> Special Base Finish                                     | <input type="checkbox"/> Reflective Rear Doors               |
| <input type="checkbox"/> Glass Shelves   | <input type="checkbox"/> Casters/Cord & Plug Included        |
| <input type="checkbox"/> Rear Wrapping Board                                     | <input type="checkbox"/> Legs                                |
| <input type="checkbox"/> Cord & Plug   | <input type="checkbox"/> Top Cutting Board, White            |
| <input type="checkbox"/> Fan Kit   | <input type="checkbox"/> Package Shelf                       |
| <input type="checkbox"/> Black, Gold, or Chrome Wire Shelves                     | <input type="checkbox"/> Light Below Package Shelf           |
| <input type="checkbox"/> Reflective Ends   | <input type="checkbox"/> Front Glass and Rear Door Locks     |
| <input type="checkbox"/> White or Mirrored Interior Ends with Laminated Exterior | <input type="checkbox"/> Joining Kit for Continuous Line-ups |



**WARRANTY\***  
One year Parts and Labor  
2nd thru 5th year part only service compressor  
(U.S.A and Canada)

Note: Information is subject to change at any time.  
Visit [www.federalind.com](http://www.federalind.com) for the most current specs.

Revised 02/18/2020

AIA#

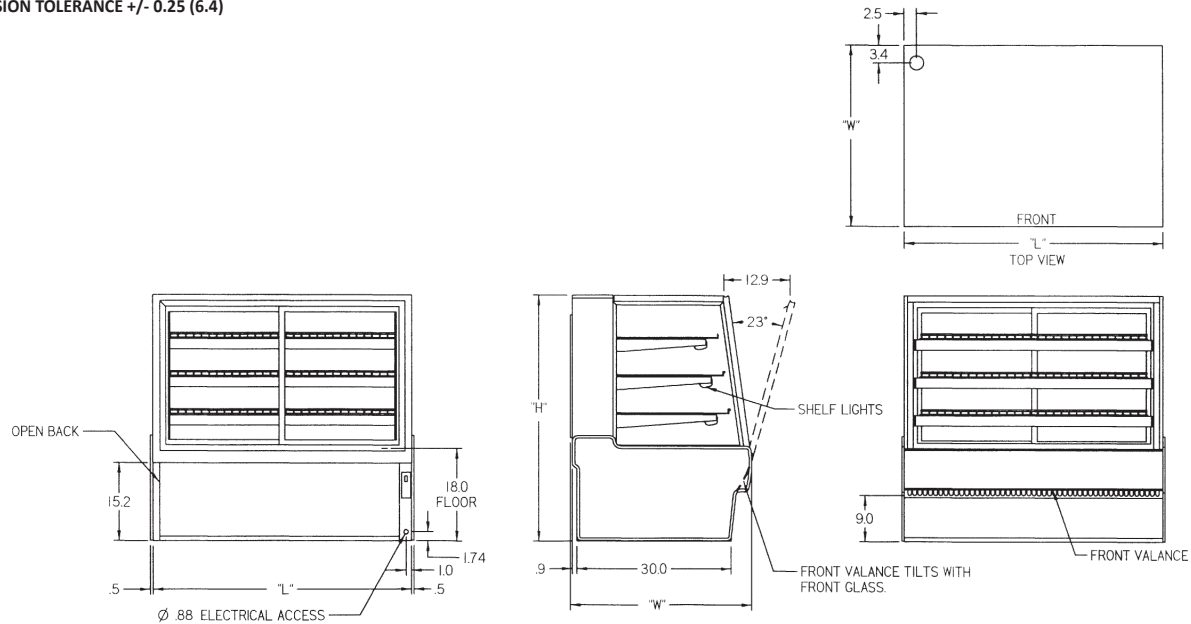
# HIGH VOLUME NON-REFRIGERATED BAKERY CASE

SIS#

## Product Specifications

DIMENSION: xx"/(mm)

DIMENSION TOLERANCE +/- 0.25 (6.4)



MODEL	DIMENSIONS				SHIPPING WHT		CAPACITY (BAKERY PAN)	ELECTRICAL 120/60/1
	L	D	H1	UNITS	LBS	KILO		
SGD3148	31.13	35.31	48	in.	270	122	4 (18" X 26") & 4 (9" X 26")	1.5 AMPS
	791	897	1219	mm.				
SGD3642	36.13	35.31	42	in.	385	175	3 (18" X 26") & 3 (9" X 26")	1.5 AMPS
	918	897	1067	mm.				
SGD3648	36.13	35.31	48	in.	400	181	4 (18" X 26") & 4 (9" X 26")	1.5 AMPS
	918	897	1219	mm.				
SGD5042	50.13	35.31	42	in.	425	193	6 (18" X 26") & 3 (9" X 26")	1.5 AMPS
	1273	897	1067	mm.				
SGD5048	50.13	35.31	48	in.	480	218	8 (18" X 26") & 4 (9" X 26")	1.5 AMPS
	1273	897	1219	mm.				
SGD5942	59.13	35.31	42	in.	505	229	9 (18" X 26")	1.5 AMPS
	1502	897	1067	mm.				
SGD5948	59.13	35.31	48	in.	535	243	12 (18" X 26")	1.5 AMPS
	1502	897	1219	mm.				
SGD7742	77.13	35.31	42	in.	685	311	12 (18" X 26")	1.5 AMPS
	1959	897	1067	mm.				
SGD7748	77.13	35.31	48	in.	715	324	16 (18" X 26")	1.5 AMPS
	1959	897	1219	mm.				

- If a GFCI circuit is required, a GFCI Breaker MUST be used instead of GFCI receptacle.
- Due to continuing engineering improvements, specifications are subject to change without notice.



The Signature of Quality®

**FEDERAL INDUSTRIES**

A Standex Company

215 Federal Avenue Belleville, Wisconsin 53508-9201

Phone: 800-356-4206

Fax: 608-424-3234

Email: [Geninfo@Federalind.com](mailto:Geninfo@Federalind.com)

Website: [Federalind.com](http://Federalind.com)