



**Project:**

**Item Number:**

**Quantity:**

**AFFORDABLE PORTABLE™ – DELUXE HOT FOOD STATIONS**



*Affordable Portable™ Deluxe Hot Food Station Shown with NSF2 Buffet Breath Guard*

**DESCRIPTION & FEATURES**

- Vollrath Affordable Portable™ hot food stations are constructed of vinyl-clad, 20-gauge carbon steel.
- Thermoset wells with high-efficiency 480W in-water heating element.
- Sealed well - no spillage pans required.
- Manifold drains.
- NSF2 certified Cafeteria or Buffet style acrylic breath guard.
- The hot food stations are available in four versatile colors: granite, walnut woodgrain, black and cherry woodgrain.
- 20 gauge 300 series stainless steel work surfaces.
- Two locking casters included.
- Dial controls.
- 8 ft. power cord.
- **Affordable Portable™ orders cannot be canceled or returned.**

**Lighting Option**

- Factory-installed option
- Requires Buffet breath guard
- 120V
- Bulbs not included

**AGENCY CERTIFICATIONS**



**WARRANTY:** All models shown come with Vollrath's standard warranty against defects in materials and workmanship. For full warranty details, please refer to the Vollrath Equipment and Smallwares Catalog.

*Due to continued product improvement, please consult [www.vollrathco.com](http://www.vollrathco.com) for current product specifications.*

**MODELS**

Description	Black	Walnut Woodgrain	Granite	Cherry Woodgrain
<b>3 Well Hot Food Station – 120V</b>				
Solid base <sup>1</sup>	T38707	T38935	T38727	T38767
Solid w/lights <sup>2</sup>	T3870746	T3893546	T3872746	T3876746
Open Storage <sup>1</sup>	T38708	T38936	T38728	T38768
Open Storage w/lights <sup>2</sup>	T3870846	T3893646	T3872846	T3876846
Storage w/door <sup>1</sup>	T38709	T38937	T38729	T38769
Storage w/door, w/lights <sup>2</sup>	T3870946	T3893746	T3872946	T3876946
Cafeteria unit <sup>1,3</sup>	T39707	T39935	T39727	T39767
Cafeteria unit w/open storage <sup>1,3</sup>	T39708	T39936	T39728	T39768
Cafeteria unit w/storage door <sup>1,3</sup>	T39909	T39937	T39729	T39769
<b>4 Well Hot Food Station – 120V</b>				
Solid base <sup>1</sup>	T38710	T38945	T38730	T38770
Solid w/lights <sup>2</sup>	T3871060	T3894560	T3873060	T3877060
Open Storage <sup>1</sup>	T38711	T38946	T38731	T38771
Open Storage w/lights <sup>2</sup>	T3871160	T3894660	T3873160	T3877160
Storage w/door <sup>1</sup>	T38712	T38947	T38732	T38772
Storage w/door, w/lights <sup>2</sup>	T3871260	T3894760	T3873260	T3877260
Cafeteria unit <sup>1,3</sup>	T39710	T39945	T39730	T39770
Cafeteria unit w/open storage <sup>1,3</sup>	T39711	T39948	T39731	T39771
Cafeteria unit w/storage door <sup>1,3</sup>	T39712	T39947	T39732	T39772

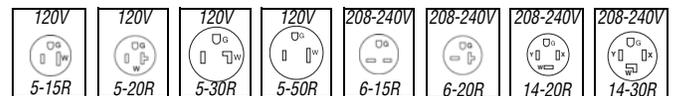
- <sup>1</sup> For 208-240V without lights, add 2 to the model number.
- <sup>2</sup> For 120/208 and 120/240V with lights, add 4 to the model number.
- <sup>3</sup> Includes Cafeteria breath guard.

**ELECTRICAL SPECIFICATIONS**

Description	Volts	Hz	Amps	Watts per Well	Electrical Service Amps	Plug
3 Well	120	60	12	480	15	5-15P
4 Well			16		20	5-20P
3 Well	208-240		8.7-10	600-800	15	6-15P
4 Well			11.5-13.3		20	6-20P
3 Well with Lights*	120		18.3	480	30	5-30P
4 Well with Lights*			24.3		50	5-50P
3 Well with Lights*	120/208-240		12.9-14.2	600-800	20	14-20P
4 Well with Lights*			15-16.3		30	14-30P

\* Incandescent lamps (250W maximum per fixture)

**RECEPTACLE CONFIGURATIONS**



**Approvals**

**Date**

--	--

Affordable Portable™ – Deluxe Hot Food Stations

The Vollrath Company, L.L.C.



Setting the Standard™

[www.vollrathco.com](http://www.vollrathco.com)

The Vollrath Company, L.L.C.  
 1236 North 18th Street  
 Sheboygan, WI 53081-3201 U.S.A.  
 Customer Service: 800.628.0830  
 Canada Customer Service: 800.695.8560  
 Main Fax: 800.752.5620 or 920.459.6573

Technical Services: 800.628.0832  
 Technical Services Fax: 920.459.6573

# AFFORDABLE PORTABLE™ – DELUXE HOT FOOD STATIONS

## ACCESSORIES AND ADD-ONS

### Cashier Station

- Stable stainless steel work surface
- Wide enough for most registers or terminals
- Open base and bottom shelf for storage
- Cash drawer not available



Dimensions (LxDxH) Inches (CM)	Black	Walnut Woodgrain	Granite	Cherry Woodgrain
24 x 24 x 35 (60.9 x 89)	38700	38905	38720	38760

### Tray Slides

- 300 Series stainless steel
- Fold-down mounting brackets
- Adds 5½" (14 cm) to depth in folded position



Item	Description	Overall Depth	Tray Area	Case Lot
39924*	Fits 24" (61 cm) Affordable Portable™	11½" (29.2)	11" (27.9)	1
39946*	Fits 46" (117 cm) Affordable Portable™			1
39960*	Fits 60" (152 cm) Affordable Portable™			1

\*Add NF in front of the item number for non-folding model

### Cutting Boards

- Polyethylene
- Fold-down mounting brackets
- Add 4" (10.2 cm) to depth in folded position



Item	Description	Depth	Case Lot
39824*	Fits 24" (61 cm) Affordable Portable™	7" (17.8 cm)	1
39846*	Fits 46" (117 cm) Affordable Portable™		1
39860*	Fits 60" (152 cm) Affordable Portable™		1

\*Add NF in front of the item number for non-folding model

### Plate Rests

- Stainless steel
- Fold-down mounting brackets
- Adds 4½" (11.4 cm) to depth in folded position



Item	Description	Depth	Case Lot
38992*	Fits 24" (61 cm) Affordable Portable™	7" (17.8 cm)	1
38993*	Fits 46" (117 cm) Affordable Portable™		1
38994*	Fits 60" (152 cm) Affordable Portable™		1

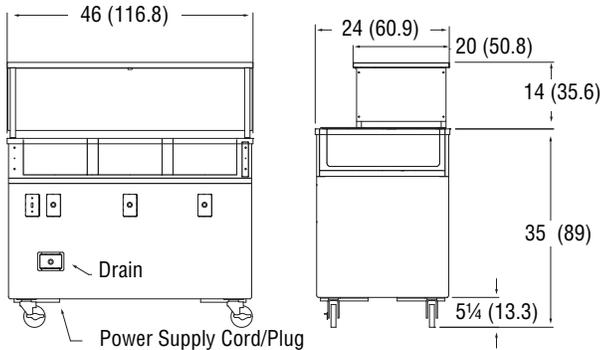
\*Add NF in front of the item number for non-folding model

### Infrared Lamp Bulbs

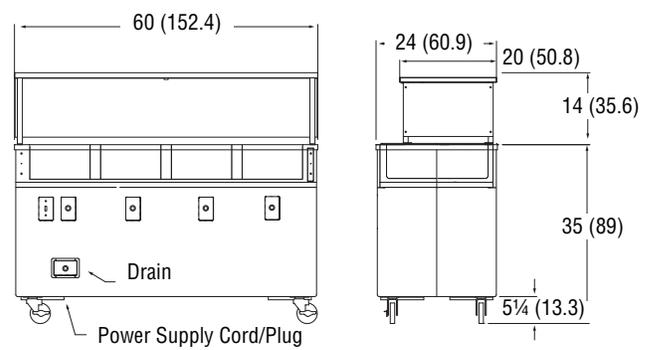
Item	Description	Case Lot
72242	White, 250W	1 Dozen
72241	Red, 250W	1 Dozen

## DIMENSIONS

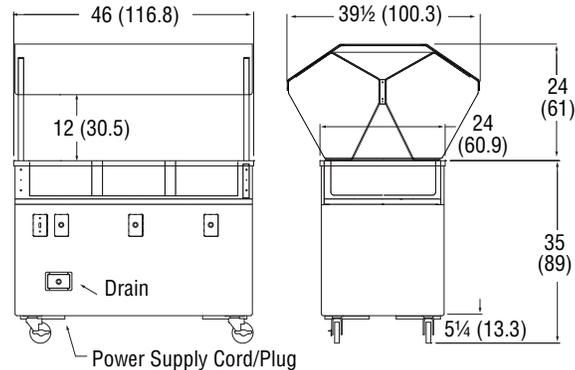
### Deluxe 3 Well Hot Food Station with NSF2 Cafeteria Breath Guard



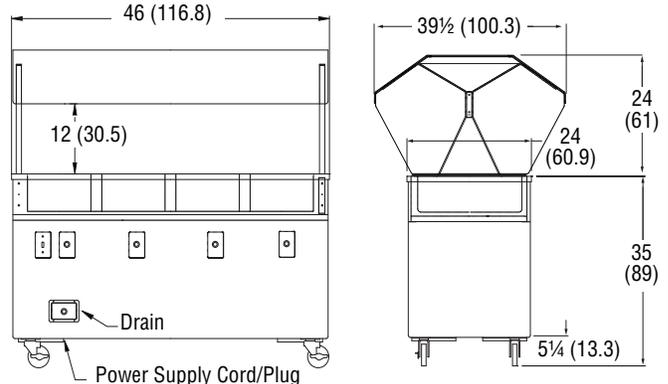
### Deluxe 4 Well Hot Food Station with NSF2 Cafeteria Breath Guard



### Deluxe 3 Well Hot Food Station with NSF2 Buffet Breath Guard



### Deluxe 4 Well Hot Food Station with NSF2 Buffet Breath Guard



**3 Well Storage Opening:** 36 x 23 x 16½ (91.5 x 58 x 42)

**4 Well Storage Opening:** 50 x 23 x 16½ (127 x 58 x 42)



The Vollrath Company, L.L.C.  
1236 North 18th Street  
Sheboygan, WI 53081-3201 U.S.A.  
Customer Service: 800.628.0830  
Canada Customer Service: 800.695.8560  
Main Fax: 800.752.5620 or 920.459.6573

Technical Services: 800.628.0832  
Technical Services Fax: 920.459.6573