



Outperform every day.™

Project:

Item Number:

Quantity:

## AFFORDABLE PORTABLE™ HOT FOOD STATIONS



Affordable Portable™ 3-Well Hot Food Station with NSF-2 Cafeteria Breath Guard

### DESCRIPTION & FEATURES

- Vollrath Affordable Portable™ hot food stations are constructed of vinyl-clad, 20-gauge carbon steel.
- Each well supplied with 120V, 525W exposed heating element.
- High-density glass fiber insulation.
- Infinite control rotary knob.
- NSF2 certified Cafeteria or Buffet style acrylic breath guard.
- The hot food stations are available in four versatile colors: granite, walnut woodgrain, black and cherry woodgrain.
- Countertops are manufactured from 20-gauge stainless steel.
- Two locking casters included.
- Spillage pans required. Order separately.
- 8 ft. cord with plug.
- **Affordable Portable™ orders cannot be canceled or returned.**

### Lighting Option

- Factory-installed option
- Requires Buffet breath guard
- 120V
- Bulbs not included

### AGENCY LISTINGS



**WARRANTY:** All models shown come with Vollrath's standard warranty against defects in materials and workmanship. For full warranty details, please refer to the Vollrath Equipment and Smallwares Catalog.

Due to continued product improvement, please consult [www.vollrath.com](http://www.vollrath.com) for current product specifications.

### MODELS

Description	Black	Walnut Woodgrain	Granite	Cherry Woodgrain
<b>3 Well Hot Food Station - 120V</b>				
Solid base <sup>1</sup>	38707	38935	38727	38767
Solid w/lights <sup>2</sup>	3870746	3893546	3872746	3876746
Open Storage <sup>1</sup>	38708	38936	38728	38768
Open w/lights <sup>2</sup>	3870846	3893646	3872846	3876846
Storage w/door <sup>1</sup>	38709	38937	38729	38769
Storage w/door, w/lights <sup>2</sup>	3870946	3893746	3872946	3876946
Cafeteria unit <sup>1,3</sup>	39707	39935	39727	39767
Cafeteria unit w/open storage <sup>1,3</sup>	39708	39936	39728	39768
Cafeteria unit w/storage door <sup>1,3</sup>	39709	39937	39729	39769
<b>4 Well Hot Food Station - 120V</b>				
Solid base <sup>1</sup>	38710	38945	38730	38770
Solid w/lights <sup>2</sup>	3871060	3894560	3873060	3877060
Open Storage <sup>1</sup>	38711	38946	38731	38771
Open w/lights <sup>2</sup>	3871160	3894660	3873160	3877160
Storage w/door <sup>1</sup>	38712	38947	38732	38772
Storage w/door, w/lights <sup>2</sup>	3871260	3894760	3873260	3877260
Cafeteria unit <sup>1,3</sup>	39710	39945	39730	39770
Cafeteria unit w/open storage <sup>1,3</sup>	39711	39946	39731	39771
Cafeteria unit w/storage door <sup>1,3</sup>	39712	39947	39732	39772

- <sup>1</sup> For 208-240V without lights, add 2 to the model number.
- <sup>2</sup> For 120/208 and 120/240V with lights, add 4 to the model number.
- <sup>3</sup> Includes Cafeteria breath guard with acrylic panel.

### ELECTRICAL PLUG SPECIFICATIONS

Description	Volts	Hertz	Amps	Watts per Well	Electrical Service (A)	NEMA Plug
3-Well	120	60	13.1	525	20	5-20P
4-Well			17.5	525	30	5-30P
3-Well	208-240		8.8	700	15	6-15P
4-Well			11.7	700	15	6-15P
3-Well with Lights*	120		19.4	525	30	5-30P
4-Well with Lights*			25.8	525	50	5-50P
3-Well with Lights*	120/208-240		13	700	20	14-20P
4-Well with Lights*			15.9	700	20	14-20P

\*Incandescent lamps (250W maximum per fixture)

### RECEPTACLE CONFIGURATIONS

<p>120V NEMA 5-20R</p>	<p>120V NEMA 5-30R</p>	<p>208-240V NEMA 6-15R</p>	<p>120V NEMA 5-50R</p>	<p>120/240V NEMA 14-20R</p>
----------------------------	----------------------------	--------------------------------	----------------------------	---------------------------------

Approvals

Date

--	--



Outperform every day.™

[www.vollrath.com](http://www.vollrath.com)

The Vollrath Company, L.L.C.  
1236 North 18th Street  
Sheboygan, WI 53081-3201 U.S.A.  
Customer Service: 800.628.0830  
Canada Customer Service: 800.695.8560  
Main Fax: 800.752.5620 or 920.459.6573

Technical Services: 800.628.0832  
Technical Services Fax: 920.459.6573

# AFFORDABLE PORTABLE™ HOT FOOD STATIONS

## ACCESSORIES AND ADD-ONS

### Cashier Station

- Stable stainless steel work surface
- Wide enough for most registers or terminals
- Open base and bottom shelf for storage
- Cash drawer not available



Dimensions (LxDxH) Inches (CM)	Black	Walnut Woodgrain	Granite	Cherry Woodgrain
24 x 24 x 35 (60.9 x 89)	38700	38905	38720	38760

### Tray Slides

- 300 Series stainless steel
- Fold-down mounting brackets
- Adds 5½" (14 cm) to depth in folded position



Item	Description	Depth	Tray Area	Case Lot
39924*	Fits 24" (61 cm) Affordable Portable™	11½" (29.2)	11" (27.9)	1
39946*	Fits 46" (117 cm) Affordable Portable™			1
39960*	Fits 60" (152 cm) Affordable Portable™			1

\*Add NF in front of the item number for non-folding model

### Cutting Boards

- Polyethylene
- Fold-down mounting brackets
- Adds 4" (10.2 cm) to depth in folded position



Item	Description	Depth	Case Lot
39824*	Fits 24" (61 cm) Affordable Portable™	7" (17.8 cm)	1
39846*	Fits 46" (117 cm) Affordable Portable™		1
39860*	Fits 60" (152 cm) Affordable Portable™		1

\*Add NF in front of the item number for non-folding model

### Plate Rests

- Stainless steel
- Fold-down mounting kit
- Adds 4½" (11.4 cm) to depth in folded position



Item	Description	Depth	Case Lot
38992*	Fits 24" (61 cm) Affordable Portable™	7" (17.8 cm)	1
38993*	Fits 46" (117 cm) Affordable Portable™		1
38994*	Fits 60" (152 cm) Affordable Portable™		1

\*Add NF in front of the item number for non-folding model

### Spillage Pans

- Accepts standard size pans
- Use with adaptor plates or insets
- Suitable for bulk storage



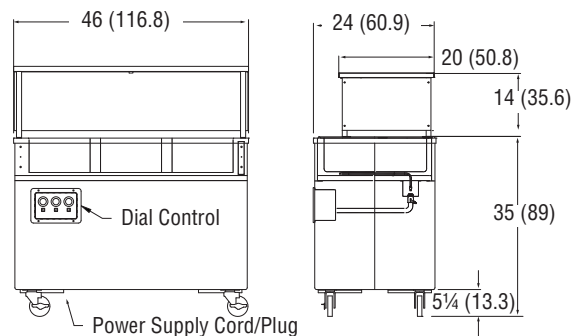
Item	Description	Case Lot
99765	Standard edge stainless spillage pan	1
99780	Dripless stainless spillage pan	1
99785	Aluminum spillage pan	1

### Infrared Lamp Bulbs

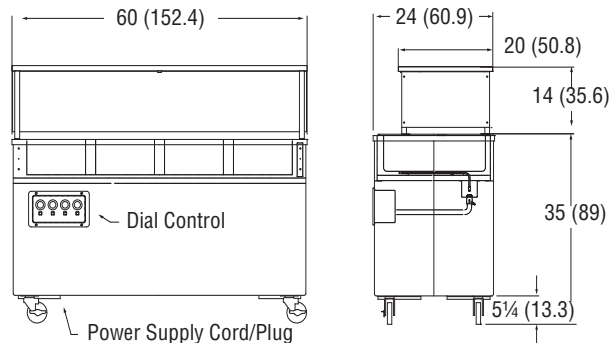
Item	Description	Case Lot
72242	White, 250W	1 Dozen
72241	Red, 250W	1 Dozen

## DIMENSIONS

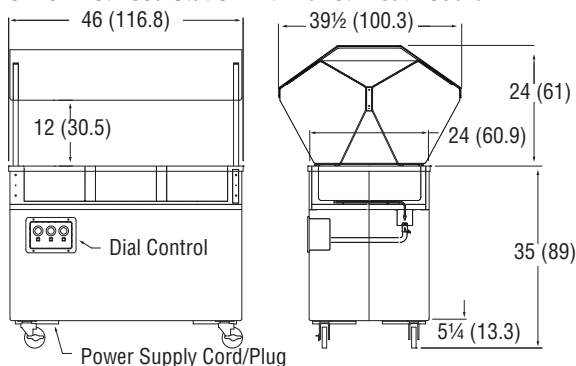
### 3 Well Hot Food Station with Cafeteria Breath Guard



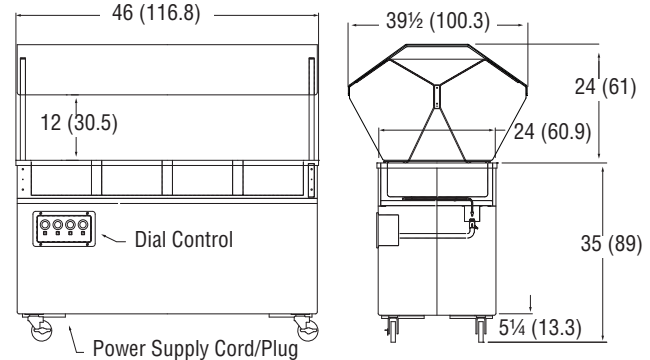
### 4 Well Hot Food Station with Cafeteria Breath Guard



### 3 Well Hot Food Station with Buffet Breath Guard



### 4 Well Hot Food Station with Buffet Breath Guard



3 Well Storage Opening: 36 x 23 x 16½ (91.5 x 58 x 42)

4 Well Storage Opening: 50 x 23 x 16½ (127 x 58 x 42)



Outperform every day.™

[www.vollrath.com](http://www.vollrath.com)

The Vollrath Company, L.L.C.  
1236 North 18th Street  
Sheboygan, WI 53081-3201 U.S.A.  
Customer Service: 800.628.0830  
Canada Customer Service: 800.695.8560  
Main Fax: 800.752.5620 or 920.459.6573

Technical Services: 800.628.0832  
Technical Services Fax: 920.459.6573