



# Camtainer® Insulated Containers

For Hot and Cold Beverages

Models 500LCD 4¾ gallon (17,9 L)

1000LCD 11¾ gallon (44,4 L)



## Features & Benefits

- Attractive design is perfect for front-of-the-house hot and cold beverage service. Stacks easily for storage and transportation.
- Serving capacity:
  - Model 500LCD - 86 each 7 oz. (210 mL) cups
  - Model 1000LCD - 214 each 7 oz. (210 mL) cups
- Single-molded, seamless, double-wall, high-density, polyethylene construction is highly durable, dishwasher safe and resists dings and dents. Textured exterior is scratch-resistant.
- Polyurethane foam insulation provides excellent hot or cold temperature retention for hours. Hot beverages remain hot without the need for a costly external heating source.
- Molded-in handles offer comfortable easy transporting.
- Recessed plastic latches will not rust or corrode and are protected from being hit or damaged. Molded-in mount plates prevent latches from pulling out.
- Drip proof recessed spigot allows for convenient access. Optional Easy Serve Dispenser lever attaches easily and offers easy and even beverage dispensing.
- Raised edge, spill proof rim prevents spills and leaks during transport.
- Pop-up vent on all models helps to equalize pressure and release steam.
- Self-adhesive beverage labels included for quick identification of contents.
- Optional Condiment Holder and Riser available for both models.
- Optional Camdollies® offer easy transporting.
- Non-electrical.
- No assembly required.
- Available in 8 colors.

Item No. \_\_\_\_\_

Specifier Identification No. \_\_\_\_\_

Model No. \_\_\_\_\_

Quantity \_\_\_\_\_

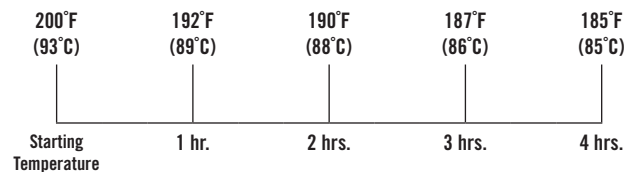


Easy Serve Dispenser



Spill Proof Rim and Molded-in Handle.

## HOT



## Approvals



# Camtainer® Insulated Containers

For Hot and Cold Beverages

Models 500LCD 4<sup>3</sup>/<sub>4</sub> gallon (17,9 L)

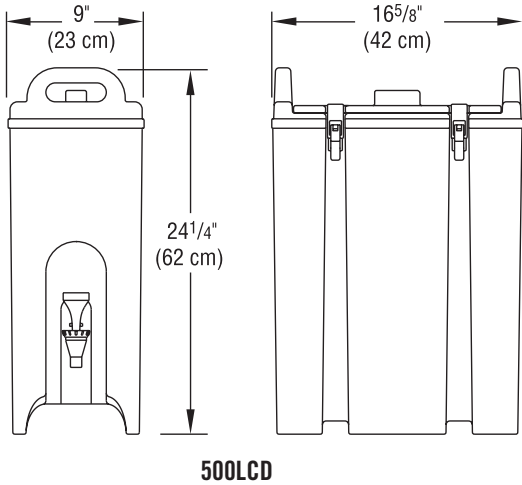
1000LCD 11<sup>3</sup>/<sub>4</sub> gallon (44,4 L)

Item No. \_\_\_\_\_

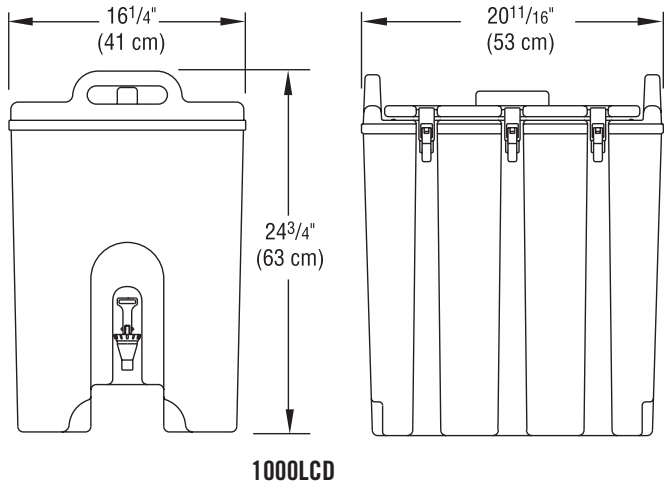
Specifier Identification No. \_\_\_\_\_

Model No. \_\_\_\_\_

Quantity \_\_\_\_\_



500LCD



1000LCD

## Specifications

Dimension Tolerance: +/- 1/4" (0,64 cm)

Code	Description	Total Capacity	Serving Capacity 7 oz. (210 mL) cups	Dimensions W x D x H	Case lbs./cube Kg/m <sup>3</sup>
500LCD	Camtainer	4 <sup>3</sup> / <sub>4</sub> gallon (17,9 L)	86	9" x 16 <sup>5</sup> / <sub>8</sub> " x 24 <sup>1</sup> / <sub>4</sub> " (23 x 42 x 62 cm)	16 (2,24) 7,5 (0,06)
1000LCD	Camtainer	11 <sup>3</sup> / <sub>4</sub> gallon (44,4 L)	214	16 <sup>1</sup> / <sub>4</sub> " x 20 <sup>11</sup> / <sub>16</sub> " x 24 <sup>3</sup> / <sub>4</sub> " (41 x 53 x 63 cm)	29.75 (5.31) 13,6 (0,14)

## Optional Accessories

- Easy Serve Dispenser  LCDES
- Riser  R500LCD fits 500LCD  
 R1000LCD fits 1000LCD
- Condiment Holder  LCDCH fits 500LCD  
 LCDCH10 fits 1000LCD
- Camdolly®  CD100  CD100H fits 500LCD  
 CD100HB fits 500LCD  
 CD300  CD300H fits 1000LCD  
 CD300HB fits 1000LCD

## Standard Colors

- Brick Red (402)
- Hot Red (158)
- Black (110)
- Navy Blue (186)
- Coffee Beige (157)
- Green (519)
- Slate Blue (401)
- Dark Brown (131)

## Architect Specs

The portable, non-electrical hot and cold beverage containers/server shall be a Camtainer Insulated Container, Models..., manufactured by Cambro Mfg. Co., Huntington Beach, CA 92647 U.S.A. It shall be made of one-piece, seamless, double-wall polyethylene and foam-injected polyurethane. It shall have a raised edge, spill-proof rim. It shall have a pop-up vent to help equalize pressure and release steam. It shall have durable, plastic latches on recessed, molded-in mounting plates. It shall have molded-in handles. It shall have a drip proof, recessed serving spigot designed with easy finger adjustment. It shall have the option of an Easy Serve Dispenser lever. It shall have self-adhesive beverage labels to use for quick product identification. It shall have an optional Condiment Holder and Riser. It shall require no assembly and shall be available in 8 colors.

## Approvals



**CAMBRO**

© Cambro Manufacturing Company 5801 Skylab Road, Huntington Beach, CA 92647-2056, U.S.A.  
Telephone 714 848 1555 Toll Free 800 854 7631 Customer Service Department 800 833 3003