



Camtainer® Insulated Containers

For Hot and Cold Beverages

Models 100LCD 1½ gallon (5,5 L)
250LCD 2½ gallon (9,4 L)

For Soup (No Spigot)

Model 350LCD 3¾ gallon (12,7 L)



Features & Benefits

- Attractive design is perfect for front-of-the-house hot and cold beverage or soup service. Stacks easily for storage and transportation.
- Serving capacity:
Model 100LCD - 27 each 7 oz. (210 mL) cups
Model 250LCD - 45 each 7 oz. (210 mL) cups
Model 350LCD - 61 each 7 oz. (210 mL) servings
- Single-molded, seamless, double-wall, high-density, polyethylene construction is highly durable, dishwasher safe and resists dings and dents. Textured exterior is scratch-resistant.
- Polyurethane foam insulation provides excellent hot or cold temperature retention for hours. Hot beverages remain hot without the need for a costly external heating source.
- Molded-in handles offer comfortable easy transporting.
- Recessed sturdy plastic latches will not rust or corrode and are protected from being hit or damaged.
- Drip proof recessed spigot (on 100LCD & 250LCD) allows for convenient access. Optional Easy Serve Dispenser lever attaches easily and offers easy and even beverage dispensing.
- Raised edge, spill proof rim prevents spills and leaks during transport.
- Pop-up vent on all models helps to equalize pressure and release steam.
- Self-adhesive beverage labels included for quick identification of contents.
- Optional Condiment Holder and Riser available for 250LCD.
- Optional Camdollies® offer easy transporting.
- Non-electrical.
- No assembly required.
- Available in 8 colors.

Item No. _____

Specifier Identification No. _____

Model No. _____

Quantity _____

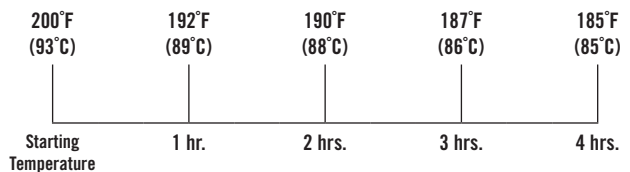


Easy Serve Dispenser



Spill Proof Rim and Molded-in Handle.

HOT



Approvals



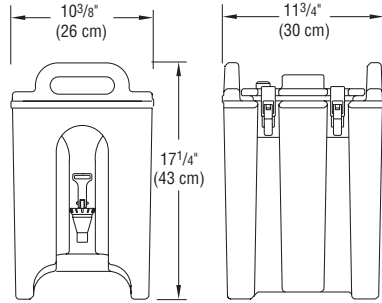
Camtainer® Insulated Containers

For Hot and Cold Beverages

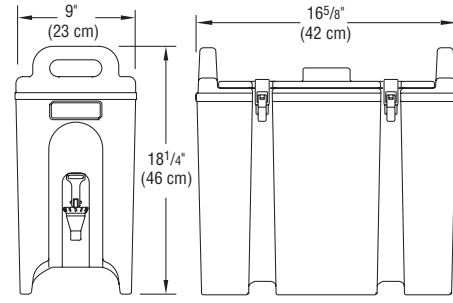
Models 100LCD 1½ gallon (5,5 L)
250LCD 2½ gallon (9,4 L)

For Soup (No Spigot)

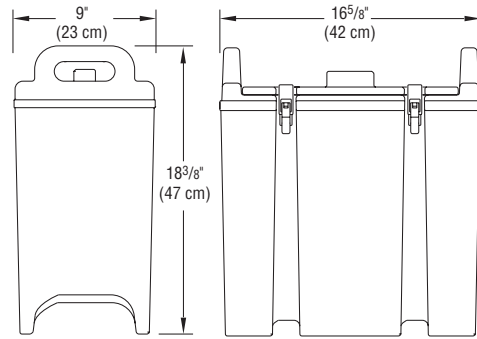
Model 350LCD 3⅜ gallon (12,7 L)



100LCD



250LCD



350LCD (No Spigot)

Specifications

Dimension Tolerance: +/- 1/4" (0,64 cm)

Code	Description	Total Capacity	Serving Capacity 7 oz. (210 mL) cups	Dimensions W x D x H	Case lbs./cube Kg/m ³
100LCD	Camtainer	1½ gallon (5,5 L)	27	10⅜" x 11¾" x 17¼" (26 x 30 x 43 cm)	9.5 (1.24) 4.5 (0,035)
250LCD	Camtainer	2½ gallon (9,4 L)	45	9" x 16⅝" x 18¼" (23 x 42 x 46 cm)	12.75 (1.70) 6 (0,05)
350LCD	Camtainer for Soup (No Spigot)	3⅜ gallon (12,7 L)	61	9" x 16⅝" x 18⅜" (23 x 42 x 47 cm)	13.25 (1.70) 6 (0,05)

Optional Accessories

- Easy Serve Dispenser LCDES fits 100LCD & 250LCD
- Riser R500LCD fits 250LCD
- Condiment Holder LCDCH fits 250LCD
- Camdolly® CD100 CD100H fits 250LCD and 350LCD
 CD100HB fits 250LCD and 350LCD

Standard Colors

- Navy Blue (186)
- Dark Brown (131)
- Black (110)
- Slate Blue (401)
- Brick Red (402)
- Hot Red (158)
- Coffee Beige (157)
- Green (519)

Architect Specs

The portable, non-electrical hot and cold beverage and soup container/server shall be a Camtainer Insulated Container, Models ..., manufactured by Cambro Mfg. Co., Huntington Beach, CA 92647 U.S.A. It shall be made of one-piece, seamless, double-wall polyethylene and foam-injected polyurethane. It shall have a raised edge, spill-proof rim. It shall have a pop-up vent to help equalize pressure and release steam. It shall have durable, plastic latches on recessed, molded-in mounting plates. It shall have molded-in handles. It shall have a drip proof, recessed serving spigot designed with easy finger adjustment on 1½ gallon (5,5 L) and 2½ gallon (9,4 L) container. It shall have the option of an Easy Serve

Dispenser lever. It shall be available without a spigot for soup service. It shall have self-adhesive beverage labels to use for quick product identification. It shall have an optional Condiment Holder and Riser except for the 100LCD. It shall require no assembly and shall be offered in 8 colors.

Approvals



CAMBRO

© Cambro Manufacturing Company 5801 Skylab Road, Huntington Beach, CA 92647-2056, U.S.A.
Telephone 714 848 1555 Toll Free 800 854 7631 Customer Service Department 800 833 3003