

GAS GRIDDLE

Project _____ Date _____ Models **GCP15, GCP24, GCP36, GCP48** Item# _____ Quantity _____



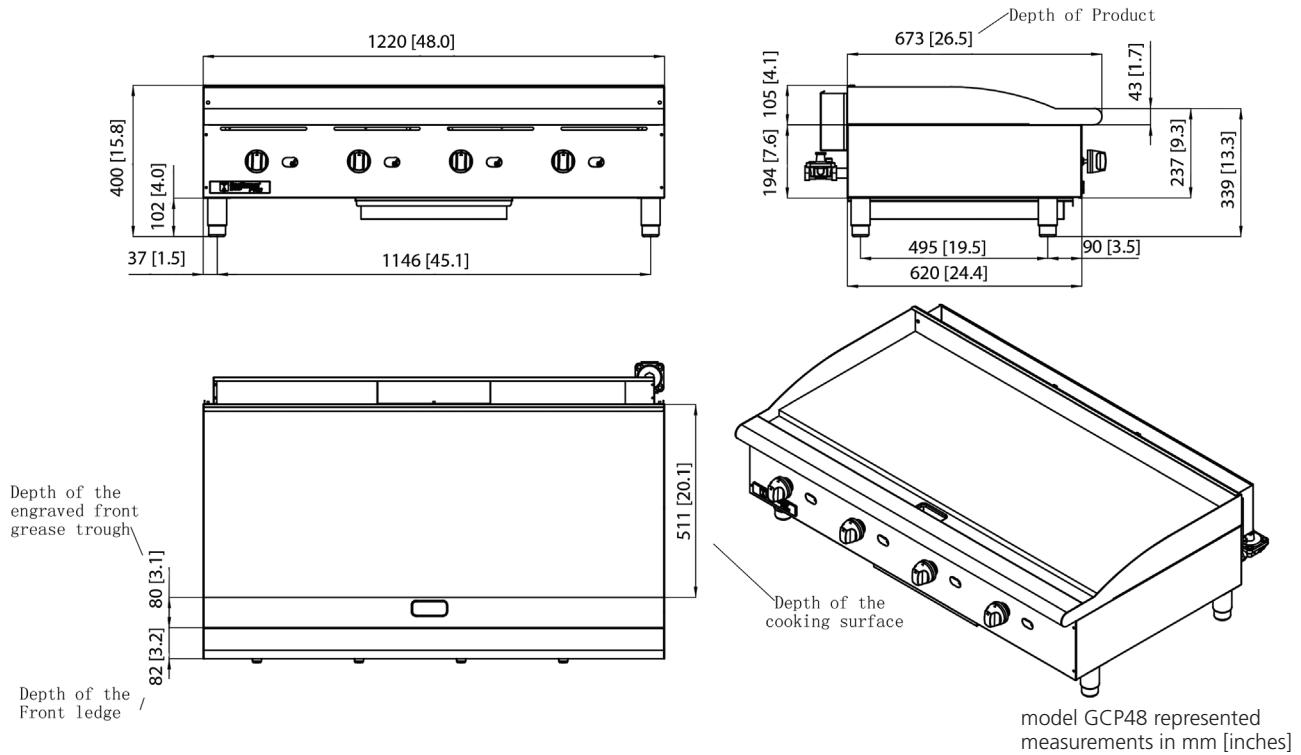
model GCP48

Features

- Sleek, heavy-duty stainless steel construction for long life and easy maintenance
- All models can be operated using natural or LP gas (conversion kit included)
- Manually controlled, independent cooking zones
- Countertop units with 20" depth available in four widths: 15", 24", 36", and 48"
- Griddle plate thickness of 1"
- Bottom-welded plate for accurate heat distribution
- Stainless steel full-cooking depth dual-ported burners
- Easy-access front panel pilot adjustments
- 1 $\frac{3}{4}$ " sturdy non-marring stainless steel legs
- Ergonomically rounded front bullnose
- Industrial metal knobs

Models & Dimensions

Gas Griddle



Specifications

| Model | Cooking Surface (W x D) | No. of Burners | BTUs per Hour | Product Dimensions (H x W x D) | Ship Dimensions (H x W x D) | Ship Weight |
|-----------------------------|-------------------------------|----------------|---------------|--|---|-----------------------|
| GCP15 (6601-1000) | 15" x 20" 37.7 cm x 51 cm | 1 | 30,000 | 15.6" x 15" x 30" 39.6 cm x 38.1 cm x 76.2 cm | 19.1" x 18.5" x 32.5" 47 cm x 82.6 cm x 48.5 cm | 165 lbs. 74.8 kg. |
| GCP24 (6601-1001) | 24" x 20" 60.6 cm x 51 cm | 2 | 60,000 | 15.6" x 24" x 30" 39.6 cm x 61 cm x 76.2 cm | 19.1" x 28" x 32.5" 71.1 cm x 82.6 cm x 48.5 cm | 210 lbs. 95.3 kg. |
| GCP36 (6601-1002) | 36" x 20" 91.1 cm x 51 cm | 3 | 90,000 | 15.6" x 36" x 30" 39.6 cm x 91 cm x 76.2 cm | 19.1" x 40" x 32.5" 101.6 cm x 82.6 cm x 48.5 cm | 345 lbs. 156.5 kg. |
| GCP48 (6601-1003) | 48" x 20" 121.6 cm x 51 cm | 4 | 120,000 | 15.6" x 48" x 30" 39.6 cm x 122 cm x 76.2 cm | 18" x 52" x 32.5" 132.1 cm x 82.6 cm x 48.5 cm | 360 lbs. 163.3 kg. |

