

Specifications

Description

Adcraft's "Redhead" electric glass washer is made of heavy duty construction with a powerful 1/3 HP motor. It easily removes lipstick and other stains on the glass surface. Quick and easy to install and requires no special plumbing or electrical hook-ups to use. The unit runs off a 115V circuit that draws only 4.3 Amps. Comes complete with four 7" brushes and one 8.75" center brush. Overall dimensions are 19"H x 8.75"W x 15.75"D. CE. This item is backed by Adcraft's 1 year limited warranty.

Base Construction

- Base is made of heavy duty stainless steel with rubber feet for stability
- Brass bearings and nylon gears are inside the base
- Removable rubber strip keeps water out of the base and allows for easy access to gears when needed

Motor

- Powerful 1/3 Horsepower motor mounted up high to keep away from water
- Internal thermal overload in motor prevents overheating if the motor temperature exceeds 150°F
- Front mounted On/Off switch for easy operation when in use

Electrical

- 115V, 1/3 HP, 4.3 Amps
- 7' power cord with NEMA 5-15 plug

Brushes

- Brushes are included with the glass washer and are interchangeable with all other major brand's brushes
- One center brush measures 8.75" tall overall
- Four side brushes measure 7" tall overall

Bar Glass Washer - Upright Non-Submersible

Models:

- GW-120



Certifications/Approvals

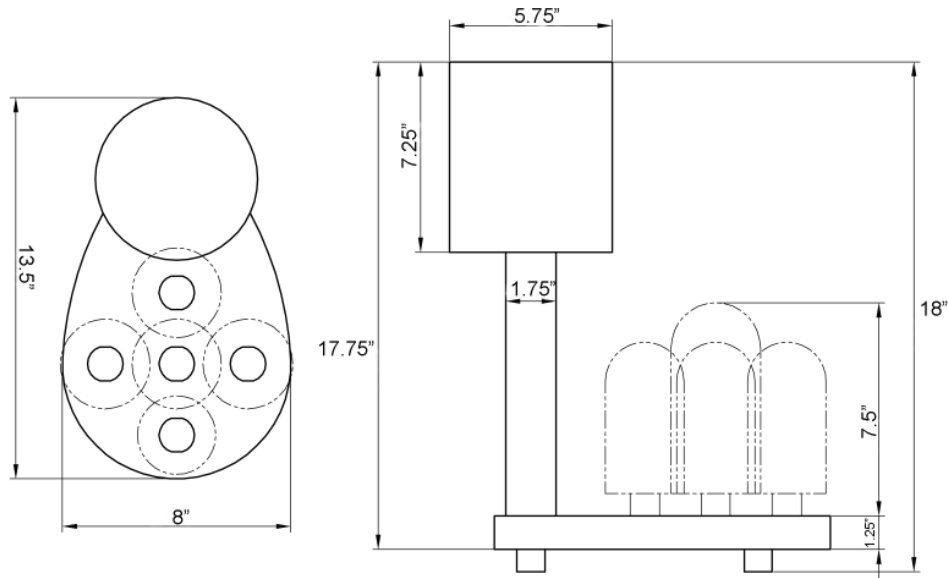


Warranty: This product is protected by Admiral Craft Equipment Corporation's one year limited warranty. Should your product fail under normal use it will be repaired or replaced up to one year from date of purchase.




Bar Glass Washer - Upright - GW-120

Plan View



Specifications

| Item Number | Description | Volts | Horsepower | Amps | NEMA Plug |
|-------------|----------------------|-------|------------|------|---|
| GW-120 | Redhead Glass Washer | 115V | 1/3 HP | 4.3 | 5-15P  |

Shipping Info

| Item Number | Box Dimensions | Item Dimensions | Gross Weight | Net Weight |
|-------------|-------------------|---------------------|--------------|------------|
| GW-120 | 9"W x 16"D x 19"H | 8"W x 13.5"D x 18"H | 27.5 lbs | 25 lbs |

For more information about this or any of our other products go to www.admiralcraft.com. This item is listed on AutoQuotes. For full explanation of warranty coverage on this product please refer to warranty page located in the owner's manual and warranty section at www.admiralcraft.com. Specifications subject to change without notice. Please confirm at time of order.