

Transport/Delivery Cabinets

Aluminum



Model 5529

Durable Storage and Delivery For 18" x 26" Sheet Pans and Trays

Benefits

- Protects contents during holding and transporting
- Lightweight but sturdy aluminum construction
- Accommodates 18" x 26" or 14" x 18" pans and trays

Features

- Durable continuous welded aluminum construction with extra corner gussets
- Extruded sides will not warp or flex during transport

Casters

- Heavy-duty 5" plate-mount with sealed bearing axle and non-marking wheels, two with brake



Specifications:

Shall be heavy duty, high tensile, extruded aluminum. Type 6063-T5 alloy. The upper frame is to be constructed of vertical uprights 1" x 2-1/2" x 1/8" thick extruded aluminum channels with top cross and side bracing of 1-1/4" x 1-1/4" x .070 wall extruded aluminum tubing, all fully welded together. A solid cap of .063 thick aluminum shall be welded to uprights and cross bracing. Compound guides shall be interlocking solid wall type, extruded aluminum panels. Each panel shall have guides spaced 1-1/2" on center, with 1/2" ledges and .090 wall thickness. The guides shall be welded to the vertical uprights. Rear panel shall be .080 thick aluminum panel with a corrugation on each side for strength and enhanced air circulation. Panel shall be welded to the top, bottom, and rear vertical uprights. Door shall consist of 1/8" thick aluminum panel with a corrugation on each side. The door shall be supported by three stainless steel hinges designed to provide 270° door swing. A positive gravity catch shall be provided to retain door in a closed position. A universal card holder shall be bolted to the upper front of the door. Bottom frame shall be constructed of 1/8" thick aluminum sheet with four sides bent down 1-3/8", all corners welded smoothly. Tubular framework shall be welded inside the 1/8" aluminum sheet for extra rigidity. Caster plates (2-3/4" x 4-3/8" thick pre-tapped) shall be welded to bottom of frame. Casters shall be platform type 5" diameter, all swivel, with sealed bearing axle and non-marking wheels. Unit shall be NSF Listed.

Spec. # _____

AIA # _____



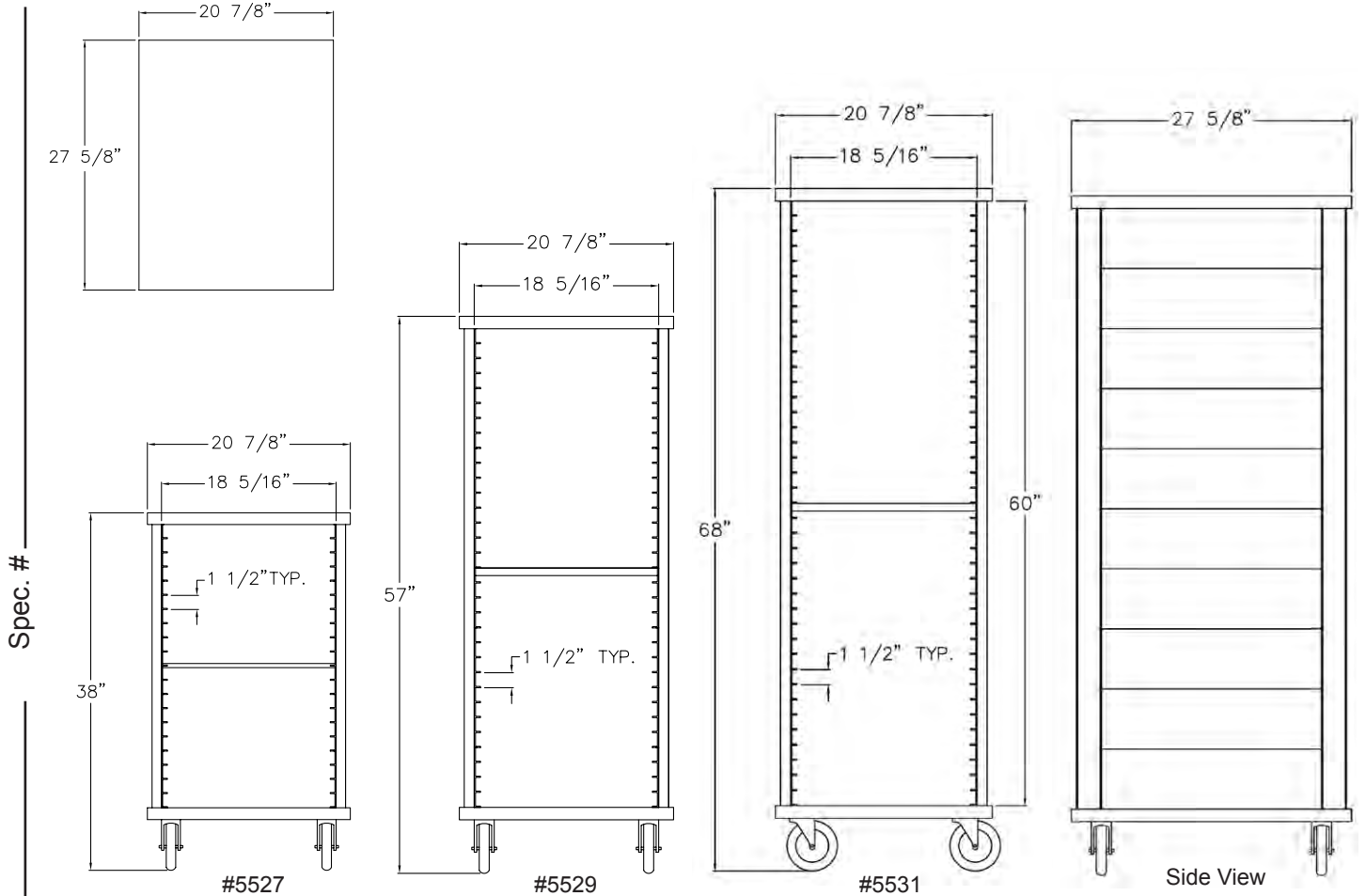
Lakeside Manufacturing, Inc.

4900 West Electric Avenue • West Milwaukee, WI 53219 U.S.A.

800-558-8565 • 414-902-6400 • Fax 414-902-6446 • www.eLakeside.com

Transport/Delivery Cabinet

Aluminum



Dimensions

Model	Sheet Pan Capacity		Ledge Spacing	Overall Size			Case Wt. Lbs.
	Full Size	Half Size		W	L	H	
5527	18	36	1 1/2" (38)	21 7/8" (530)	27 5/8" 702	38" 965	72 (32.4 kg)
5529	22	44	1 1/2" (38)	21 7/8" (530)	27 5/8" 702	56" 1422	106 (47.7 kg)
5531	26	52	1 1/2" (38)	21 7/8" (530)	27 5/8" 702	68" 1727	113 (50.9 kg)

Measurements in () denote metric millimeters, unless otherwise specified.

Options:

- Clear polycarbonate door
- Bottom corner bumpers
- Full perimeter bumper
- Push handle
- Brake casters (set of 2)



Lakeside Manufacturing, Inc.

4900 West Electric Avenue • West Milwaukee, WI 53219 U.S.A.

800-558-8565 • 414-902-6400 • Fax 414-902-6446 • www.eLakeside.com