



4184 E. Conant st., Long Beach, CA 90808  
 Tel. 800-500-3519 Fax. 310-900-1066  
[www.turboairinc.com](http://www.turboairinc.com)

Project :

Model # :

Item # :

Qty :

Available W/H :

Approval :

## Heavy Duty Stock Pot Stoves



**TASP-18S**



**TASP-18**

### ≡ FEATURES & BENEFITS ≡

- High quality stainless steel front and sides
- Cast-iron 3 ring burner with 2 control knobs
- High performance 79,000 BTU/hr per burner
- Removable 21" x 18" heavy cast-iron top grates
- Removable full width grease pan
- 6" stainless steel legs included
- Ergonomically designed heat resistant PPS (Poly Phenylene Sulfide) On-Off knob
- Adjustable standing pilot for each burner
- 3/4" rear gas connection and gas pressure regulator



Model	#of Burners	Total BTUs	Crated Weight (lbs.)	W x D x H (inches)
TASP-18	3-Ring	79,000	111	18 x 21 x 24
TASP-18S	3-Ring	79,000	106	18 x 21 x 18

# Heavy Duty Stock Pot Stoves

## Model : TASP-18 / TASP-18S

GAS DATA	TASP-18	TASP-18S
Gas Type	NAT/LP Convertible	NAT/LP Convertible
Gas Connection	3/4"	3/4"
Regulator	3/4"	3/4"
Gas Pressure	NAT : 5W.C" / LP : 10W.C"	NAT : 5W.C" / LP : 10W.C"
BTU	79,000	79,000
SHIPPING DATA		
Class	70	70
Length (in.)	18 (457mm)	18 (457mm)
Depth (in.)*	21 (533mm)	21 (533mm)
Height (in.)	24 (610mm)	18 (457mm)
Shipping Weight (lbs.)	111	106

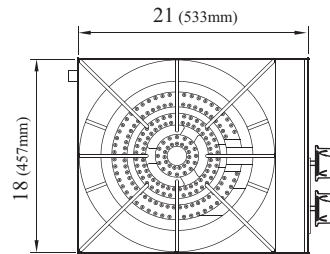
Design and specifications subject to change without notice.

Actual shipping weight may differ due to extra packing materials for product protection.

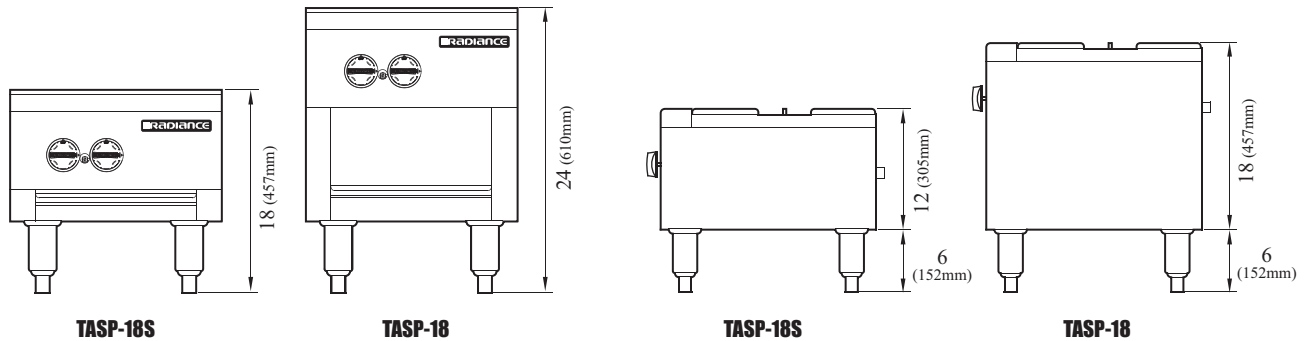
\* Depth does not include 3/4" for rear gas connection and 2" for control knob.

### ■ WARRANTY : 1 Year Parts and Labor Warranty

(unit : inch) **PLAN VIEW**



TOP VIEW



FRONT VIEW

SIDE VIEW

Ver.201601



- Turbo Air : 800-627-0032 ■ GK : 800-500-3519
- Warranty : 800-381-7770 ■ AC : 888-900-1002

REFRIGERATOR MANUFACTURER  
**Turbo air**

GERMAN  
**KNIFE**

**RADIANCE**

GREEN WORLD

AIR CONDITIONER MANUFACTURER  
**Turbo air**